

[www.blackanddecker.eu](http://www.blackanddecker.eu)

**BXCO1000E**

BG

RO

RU

EL

PL

NL

PT

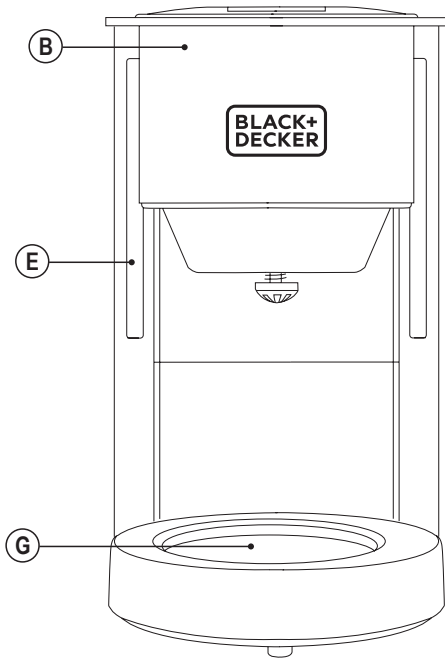
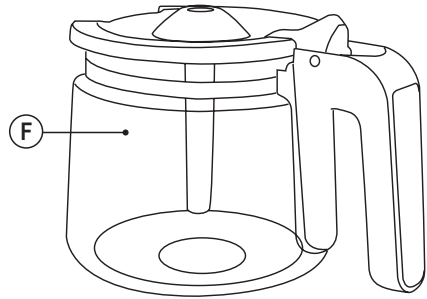
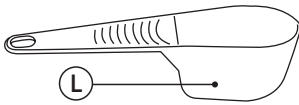
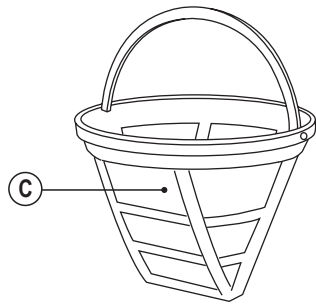
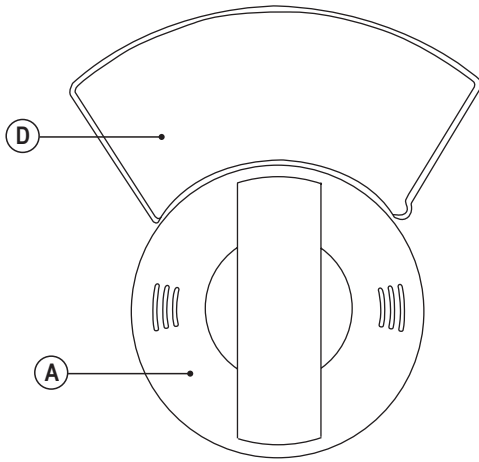
ES

IT

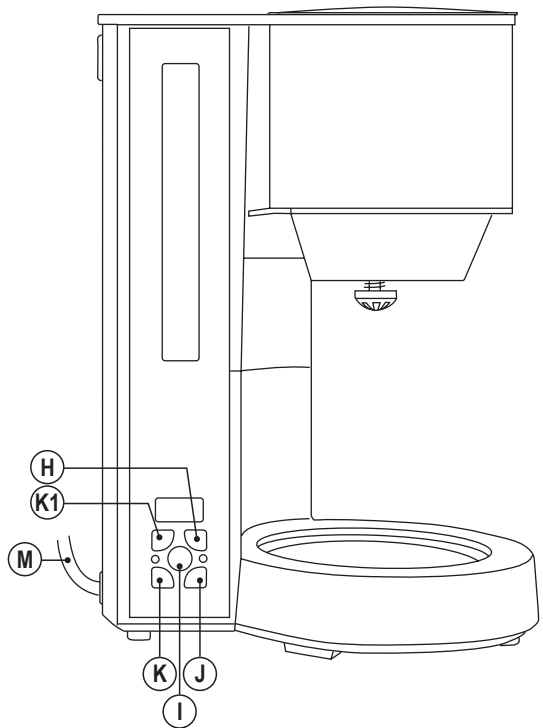
DE

FR

EN



**BLACK+  
DECKER**



## Programable Coffee Machine BXCO1000E

### Dear customer,

Many thanks for choosing to purchase a Black + Decker brand product.

Thanks to its technology, design and operation and the fact that it exceeds the strictest quality standards, a fully satisfactory use and long product life can be assured.

- ◆ Read these instructions carefully before switching on the appliance and keep them for future reference. Failure to follow and observe these instructions could lead to an accident.

## SAFETY ADVICE AND WARNINGS

- ◆ This appliance is only for domestic use, not for industrial or professional use. It is not intended to be used by guests in hospitality environments such as bed and breakfast, hotels, motels, and other types of residential environments, even in farm houses, areas of the kitchen staff in shops, offices and other work environments.
- ◆ Clean all the parts of the product that will be in contact with food, as indicated in the cleaning section, before use.
- ◆ This appliance can be used by people with reduced physical, sensory or mental capabilities or lack of experience and knowledge if they have been given supervision or instruction concerning use of the appliance in a safe way and understand the hazards involved.
- ◆ This appliance can be used by children aged from 8 years and above if they have been given supervision or instruction concerning use of the appliance in a safe way and if they understand the hazards involved.
- ◆ Cleaning and user maintenance shall not be made by children unless they are older than 8 and supervised.
- ◆ Keep the appliance and its cord out of reach of children aged less than 8 years.
- ◆ This appliance is not a toy. Children should be supervised to ensure that they do not play with the appliance.
- ◆ Never submerge the appliance in water or any other liquid or place it under running water.
- ◆ If the connection to the mains has been damaged, it must be replaced, take the appliance to an authorised technical support service. Do not attempt to disassemble or repair the appliance by yourself in order to avoid a hazard.
- ◆ Ensure that the voltage indicated on the rating label matches the mains voltage before plugging in the appliance.
- ◆ Connect the appliance to a base with an earth socket withstanding a minimum of 10 amperes.
- ◆ The appliance's plug must fit into the mains socket properly. Do not alter the plug. Do not use plug adaptors.

- ◆ Do not force the power cord. Never use the power cord to lift up, carry or unplug the appliance.
- ◆ Do not wrap the power cord around the appliance.
- ◆ Do not clip or crease the power cord.
- ◆ Do not allow the power cord to come into contact with the appliance's hot surfaces.
- ◆ Check the state of the power cord. Damaged or tangled cables increase the risk of electric shock.
- ◆ Do not touch the plug with wet hands.
- ◆ Do not use the appliance if the cable or plug is damaged.
- ◆ If any of the appliance casings breaks, immediately disconnect the appliance from the mains to prevent the possibility of an electric shock.
- ◆ Do not use the appliance if it has fallen on the floor, if there are visible signs of damage or if it has a leak.
- ◆ Do not place the appliance on hot surfaces, such as cooking plates, gas burners, ovens or similar.
- ◆ The appliance must be used and placed on a flat, stable surface.
- ◆ The appliance is not suitable for outdoor use.
- ◆ Supply cord should be regularly examined for signs of damage, and if the cord is damaged, the appliance must not be used.
- ◆ Do not use the appliance in the case of persons insensitive to heat (the appliance has heated surfaces).
- ◆ Do not touch the heated parts of the appliance, as it may cause serious burns.

### Use and care:

- ◆ Fully unroll the appliance's power cable before each use.
- ◆ Do not use the appliance without its filter(s) correctly in place.
- ◆ Do not switch the appliance on without water.
- ◆ Do not use the appliance if the on/off switch does not work.
- ◆ Do not move the appliance while in use.
- ◆ Respect the MAX and MIN levels (E).
- ◆ Disconnect the appliance from the mains when not in use and before undertaking any cleaning task.
- ◆ Unplug the appliance from the mains before refilling the water tank.
- ◆ Store this appliance out of reach of children and/or persons with physical, sensory or reduced mental or lack of experience and knowledge.
- ◆ Do not store the appliance if it is still hot.
- ◆ Only use water with the appliance.
- ◆ Never leave the appliance connected and unattended if is not in use. This saves energy and prolongs the life of the appliance.

- ◆ CAUTION: Do not use the appliance if the glass is cracked or broken.

### Service:

- ◆ Any misuse or failure to follow the instructions for use renders the guarantee and the manufacturer's liability null and void.

## DESCRIPTION

- A Lid
- B Filterholder Funnel
- C Permanent Filter
- D Water Deposit
- E Water Level
- F Glass Jug
- G Keep Warm Plate
- H PROG Button (Program)
- I ON/OFF Button (ON/OFF)
- J MIN Button (Minutes)
- K Hours Button (Hours)
- K1 Auto Button
- L Spoon
- M Power Cord

## INSTRUCTIONS FOR USE

### Before use:

- ◆ Make sure that all products' packaging has been removed.
- ◆ Before using the product for the first time, we recommend running it just with water.

### Filling with water:

- ◆ You must fill the water compartment before turning on the appliance.
- ◆ Open the cover (A).
- ◆ Fill the deposit (D) taking care to observe the MAX level (E) with as many cups of water as cups of coffee you would like to make.
- ◆ Close the lid (A).

### Filling with Coffee:

- ◆ Remove the permanent filter (C) from the Filterholder (B).

- ◆ Fill the removable filter (C) with ground coffee (use 6-7 grams of ground coffee for each cup to be made).
- ◆ Check that the removable filter is correctly placed in the filter holder and the lid (A) is properly closed.
- ◆ You can use the measuring spoon (L) to add coffee.

## USE

### Before the first use

- ◆ To ensure excellent coffee from the first cup, we recommend rinsing with warm water as follows:
- ◆ Pour 1.25L of water into the tank (D).
- ◆ Place the Permanent Filter (C) in the funnel (B), empty, without coffee and close the lid (A) of the coffee machine.
- ◆ Place the jug (F) on the hotplate (G).
- ◆ Connect to the mains. It will be displayed on the screen 12:00.
- ◆ Press ON/OFF button once, the red (ON/OFF) indicator is illuminated. It means machine is connected.
- ◆ The water will start to come out in a few seconds.
- ◆ When the water stops flowing, empty the jug, clean the permanent filter (C) and the funnel (B).
- ◆ The machine is ready to make coffee.
- ◆ If you would like to stop the machine, press ON/OFF and the machine will stop.

### To make coffee directly, without programming

- ◆ Fill the tank (D) with cold water according to the Water Filling Section.
- ◆ Use the amount of water you need.
- ◆ The jug and tank water level indicates the number of cups.
- ◆ Add ground coffee according to the Coffee Filling section.
- ◆ Place the jar on the hotplate.
- ◆ Connect to the mains. It will be displayed on the screen 12:00.
- ◆ Press ON/OFF button once, the red indicator is illuminated.
- ◆ The coffee will start to come out in a few seconds.
- ◆ The jug (F) can be removed while the coffee is being made. The anti-drip system prevents the coffee from dripping when the jug is not in position. However, time can not exceed 30 seconds, otherwise the filter may overflow from the edge of funnel.

- ◆ When you finish making coffee, you can stop the machine.
- ◆ If you would like to stop the machine, press ON/OFF and the machine will stop.
- ◆ If not, the coffeemaker will automatically switch to Keep Warm and after 40 minutes, the coffee machine will switch off automatically.
- ◆ **WARNING:** Do not leave the coffee machine unattended while making coffee

### Once the appliance is finished:

- ◆ Stop the appliance.
- ◆ You can press ON/OFF to stop, or you can just leave it and it will turn off automatically after 40 minutes.
- ◆ Unplug the appliance from the main.
- ◆ Clean the device.

## PROGRAMMING INSTRUCTIONS

### Display functions:

- ◆ Four-digit display for 24 hours, shows current time and scheduled time,
- ◆ Red LED indicates that the appliance is heating up
- ◆ Green LED indicates that the device is waiting for the timer.
- ◆ When the plug is plugged to the main and both LEDs are off, the display will show either the current time or the preset time.

### Push buttons

- ◆ ON / OFF" button. If you press the "ON / OFF" button, the appliance will begin to prepare coffee
- ◆ The appliance will turn off automatically after 40 minutes and then the display will show the current time.
- ◆ Press this button when the green LED is on, and you want to cancel the scheduled start time
- ◆ **"AUTO" button:** It is the switch for automatic start-up.
- ◆ **"PROG" button:** To set the timer, you must press the "PROG" button once, to start setting the required time
- ◆ Then press again the "PROG" to change the device to standby condition (indicated by green LED on)
- ◆ Pressing "AUTO" will cancel the preset timer program.

## Configuration of the “PROG” program

### 1. Setting the current time:

- ◆ Connect to the network and the system will show 12:00, flashing.
- ◆ Press and hold the “PROG” button for 3 seconds. “SET TIME” will appear on the screen, in the upper left corner.
- ◆ Press “HR” to set the time.
- ◆ Press “MIN” to set the minutes.
- ◆ Press and hold the “PROG” button again for 3 seconds after finishing the time setting. Otherwise, the preset time will be canceled after 10 seconds.
- ◆ If you unplug the device, the preset time will be canceled and a restart will be required after plugging in the device for the next use.

### 2. Setting the timer:

- ◆ Press and hold the “PROG” button (twice) for 0.5 seconds to enter the setting condition.
- ◆ The words “SET TIMER” will appear blinking in the upper right corner.
- ◆ Press the “HR” button for hours setting and press “MIN” for minutes setting.
- ◆ Press and hold the “PROG” button for 0.5 seconds to confirm.
- ◆ Press the “AUTO” button to switch the device to the timer standby condition (the green LED will be on).
- ◆ Press the “AUTO” button again to switch off the standby condition. Resume the wait condition by pressing the “AUTO” button again.
- ◆ Press and hold the “PROG” button for 0.5 seconds to check the preset time of the timer.
- ◆ Press “PROG” again to confirm and the screen will return to the current time.
- ◆ Press “ON / OFF” at any time to switch on the appliance and the red LED will light up.
- ◆ The device will start operating at the preset time (the red LED will be on). The device will turn off automatically after 40 minutes and the LCD will show the current time.
- ◆ Adjustable time range: 23 hours 59 minutes.
- ◆ “HR” time button: this button will only be used for time setting. Press and hold this button for 0.5 seconds for each hour increase. Keeping this button will make the time settings run quickly.
- ◆ “MIN” minute button: same as the “HR” setting.
- ◆ WARNING: Do not leave the coffee machine unattended while making coffee

## Once the appliance is finished:

- ◆ Stop the appliance.
- ◆ You can press ON/OFF to stop, or you can just leave it and it will turn off automatically after 40 minutes.
- ◆ Unplug the appliance from the main.
- ◆ Clean the device.

## CLEANING

- ◆ Disconnect the appliance from the mains and allow it to cool before undertaking any cleaning task.
- ◆ Clean the equipment with a damp cloth with a few drops of washing-up liquid and then dry.
- ◆ Do not use solvents, or products with an acid or base pH such as bleach, or abrasive products, for cleaning the appliance.
- ◆ If the appliance is not in good condition of cleanliness, its surface may degrade and inexorably affect the duration of the appliance’s useful life and could become unsafe to use.
- ◆ To clean the permanent filter, empty it and rinse it with running water
- ◆ The following pieces may be washed in a dishwasher (using a soft cleaning program):
  - Jug.
- ◆ Then dry all parts before its assembly and storage.

## How to deal with lime scale incrustations:

- ◆ For the appliance to work correctly it should be kept free of limescale or magnesium incrustations caused by the use of hard water.
- ◆ To avoid this type of problem, it is recommended to use water of low calcareous or magnesian mineralization.
- ◆ In any case, if it is not possible to use the type of water recommended above, you should periodically proceed with a decalcification treatment of the appliance, with a periodicity of:
  - Every 6 weeks if the water is “very hard”.
  - Every 12 weeks if the water is “hard”.
  - If the time needed to make a coffee jug increases considerably
- ◆ A specific anti-lime scale product should be used on this kind of product.
- ◆ Homemade solutions, such as the use of vinegar, are not recommended in decalcification treatments of the appliance.

## ANOMALIES AND REPAIR

- ◆ Take the appliance to an authorised technical support service if product is damaged or other problems arise. Do not attempt to disassemble or repair the appliance yourself as this may be dangerous.

### For EU product versions and/or in case that it is requested in your country:

#### Ecology and recyclability of the product

- ◆ The materials of which the packaging of this appliance consists are included in a collection, classification and recycling system. Should you wish to dispose of them, use the appropriate public recycling bins for each type of material.
- ◆ The product does not contain concentrations of substances that could be considered harmful to the environment.



This symbol means that in case you wish to dispose of the product once its working life has ended; take it to an authorised waste agent for the selective collection of Waste from Electric and Electronic Equipment (WEEE).

This appliance complies with Directive 2014/35/EU on Low Voltage, Directive 2014/30/EU on Electromagnetic Compatibility, Directive 2011/65/EU on the restrictions of the use of certain hazardous substances in electrical and electronic equipment and Directive 2009/125/EC on the ecodesign requirements for energy-related products.

## WARRANTY AND TECHNICAL ASSISTANCE

This product enjoys the recognition and protection of the legal guarantee in accordance with current legislation. To enforce your rights or interests you must go to any of our official technical assistance services.

You can find the closest one by accessing the following web link: <http://www.2helpu.com/>

You can also request related information, by contacting us (see the last page of the manual).

You can download this instruction manual and its updates at <http://www.2helpu.com/>

## Cafetière BXCO1000E

### Cher Client,

Nous vous remercions d'avoir acheté un produit Black + Decker.

Sa technologie, son design et sa fonctionnalité, outre sa parfaite conformité aux normes de qualité les plus strictes, vous permettront d'en tirer une longue et durable satisfaction.

- ◆ Lire attentivement cette notice d'instructions avant de mettre l'appareil en marche, et la conserver pour la consulter ultérieurement. Le non-respect de ces instructions peut être source d'accident.

## CONSEILS ET MESURES DE SÉCURITÉ

- ◆ Cet appareil est uniquement destiné à un usage domestique et non professionnel ou industriel. - Cet appareil a été exclusivement conçu dans le cadre d'un usage privé et non pas pour une utilisation professionnelle ou industrielle. Il n'a pas été conçu pour être utilisé par les clients d'établissements hôteliers tels que « bed and breakfasts », hôtels, motels et tout autre logement résidentiel, y compris les gîtes ruraux ou les aires de repos, ni espaces de cuisine destiné au personnel de magasins, bureaux et autres milieux de travail.
- ◆ Avant la première utilisation, laver les parties en contact avec les aliments comme indiqué à la section nettoyage.
- ◆ Cet appareil peut être utilisé par des personnes ayant des capacités physiques, sensorielles ou mentales réduites ou des personnes manquant d'expérience à condition de le faire sous surveillance ou après avoir reçu les instructions pour un maniement sûr de l'appareil et en ayant compris les risques qu'il comporte.
- ◆ Cet appareil peut être utilisé par des personnes non familiarisées avec son fonctionnement, des personnes handicapées ou des enfants âgés de plus de 8 ans, et ce, sous la surveillance d'une personne responsable ou après avoir reçu la formation nécessaire sur le fonctionnement sûr de l'appareil et en comprenant les dangers qu'il comporte.
- ◆ Les enfants ne devront pas réaliser le nettoyage ou la maintenance de l'appareil à moins qu'ils soient âgés de plus de 8 ans et sous la supervision d'un adulte.
- ◆ Laisser l'appareil hors de portée des enfants âgés de moins de 8 ans.
- ◆ Cet appareil n'est pas un jouet. Les enfants doivent être surveillés afin de s'assurer qu'ils ne jouent pas avec l'appareil.
- ◆ Ne pas immerger l'appareil dans l'eau ou tout autre liquide, ni le passer sous un robinet.
- ◆ Si la prise du secteur est abîmée, elle devra être remplacée par un



Service d'Assistance Technique agréé. Il est dangereux de tenter de procéder aux réparations ou de démonter l'appareil soi-même.

- ◆ Avant de raccorder l'appareil au secteur, s'assurer que le voltage indiqué sur la plaque signalétique correspond à celui du secteur.
- ◆ Raccorder l'appareil à une prise pourvue d'une fiche de terre et supportant au moins 10 ampères.
- ◆ La prise de courant de l'appareil doit être compatible avec la prise de courant de l'installation. Ne jamais modifier la prise de courant de l'appareil. Ne pas utiliser d'adaptateur de prise de courant.
- ◆ Ne pas forcer le câble électrique de connexion. Ne jamais utiliser le câble électrique pour lever, transporter ou débrancher l'appareil.
- ◆ Ne pas enrouler le câble électrique autour de l'appareil.
- ◆ Éviter que le câble électrique de connexion ne se coince ou ne s'emmêle.
- ◆ Ne pas laisser le câble électrique entrer en contact avec les surfaces chaudes de l'appareil.
- ◆ Vérifier l'état du câble électrique de connexion. Les câbles endommagés ou emmêlés augmentent le risque de décharge électrique.
- ◆ Ne pas toucher la fiche de l'appareil avec les mains mouillées.
- ◆ Ne pas utiliser l'appareil si son câble électrique ou sa prise sont endommagés.
- ◆ Si une des enveloppes protectrices de l'appareil se casse, débrancher immédiatement l'appareil du secteur pour éviter toute décharge électrique.
- ◆ Ne pas utiliser l'appareil s'il est tombé, s'il présente des signes visibles de dommages ou en présence de fuites.
- ◆ Ne pas placer l'appareil sur des surfaces chaudes, plaques de cuisson, cuisinières à gaz, fours ou similaires.
- ◆ L'appareil doit être utilisé et placé sur une surface plane et stable.
- ◆ Cet appareil n'est pas adéquat pour un usage à l'extérieur.
- ◆ Le câble d'alimentation doit être examiné régulièrement à la recherche de signes de détérioration ; s'il est endommagé, l'appareil ne doit pas être utilisé.
- ◆ Les personnes insensibles à la chaleur doivent éviter d'utiliser cet appareil (puisque celui-ci présente des surfaces chauffantes).

- ◆ Éviter de toucher les parties chauffantes de l'appareil, vous pourriez gravement vous brûler.

### Utilisation et entretien :

- ◆ Avant chaque utilisation, dérouler complètement le câble électrique de l'appareil.
- ◆ Ne pas utiliser l'appareil si son ou ses filtre(s) ne sont pas installés correctement.
- ◆ Ne jamais mettre en marche l'appareil sans eau.
- ◆ Ne pas utiliser l'appareil si son dispositif de mise en marche/arrêt ne fonctionne pas.
- ◆ Ne pas bouger ou déplacer l'appareil durant son fonctionnement
- ◆ Respecter les niveaux MAXIMUM et MINIMUM(E).
- ◆ Débrancher l'appareil du secteur quand il n'est pas utilisé et avant de procéder à toute opération de nettoyage.
- ◆ Débrancher l'appareil du secteur avant de remplir le réservoir d'eau.
- ◆ Conserver cet appareil hors de portée des enfants ou des personnes ayant des capacités physiques, sensorielles ou mentales réduites ou présentant un manque d'expérience et de connaissances.
- ◆ Ne pas ranger l'appareil s'il est encore chaud.
- ◆ N'utiliser l'appareil qu'avec de l'eau.
- ◆ Ne jamais laisser l'appareil branché sans surveillance. Vous réduirez par la même occasion la consommation d'énergie et prolongerez la durée de vie de l'appareil.
- ◆ AVERTISSEMENT : Ne pas utiliser l'appareil si le verre est brisé ou cassé.

### Service :

- ◆ Toute utilisation inappropriée ou non conforme aux instructions d'utilisation annule la garantie et la responsabilité du fabricant.

## DESCRIPTION

- A Couverture
- B Entonnoir Porte-filtres
- C Filtre permanent
- D Réservoir d'eau
- E Niveau d'eau
- F Pichet
- G Plaque chauffante
- H Bouton PROG (Programmation)
- I Bouton ON/OFF (Marche/Arrêt)
- J Bouton MIN (Minutes)
- K Bouton HOURS (Heures)

- K1 Bouton Auto
- L Cuillère doseuse
- M Cordon d'alimentation

## MODE D'EMPLOI

### Consignes préalables :

- ◆ S'assurer d'avoir retiré tout le matériel d'emballage du produit.
- ◆ Avant d'utiliser l'appareil pour la première fois, il est conseillé de le faire fonctionner uniquement avec de l'eau.

### Remplissage d'eau :

- ◆ Il est indispensable de remplir d'eau le réservoir avant de mettre en marche l'appareil.
- ◆ Ouvrir le couvercle (A).
- ◆ Remplir le réservoir (D) d'eau froide.
- ◆ Remplir le récipient en respectant le niveau MAX (E) en fonction du nombre de tasses à préparer désiré.
- ◆ Fermer le couvercle (A).

### Remplissage de Café :

- ◆ Retirer le filtre permanent (C) du porte-filtres (B).
- ◆ Remplir de café moulu le filtre extractible (C) (il faut mettre 6-7g de café moulu par tasse de café à préparer).
- ◆ Vérifier que le filtre amovible soit correctement inséré dans le porte-filtre et que le couvercle (A) soit correctement fermé
- ◆ Il est possible d'utiliser la cuillère de mesure (L).

## UTILISATION

### Avant la première utilisation

- ◆ Afin d'assurer un excellent café dès la première tasse, il est recommandé de rincer la machine à l'eau chaude comme indiqué ci-dessous :
- ◆ Verser 1,25L d'eau dans le réservoir (D).
- ◆ Placer le filtre permanent (C) dans l'entonnoir (B), vide, sans café et fermer le couvercle (A) de la cafetière.
- ◆ Placer le pichet (F) sur la plaque de chauffage (G).
- ◆ Brancher la machine. L'indication 12:00 s'affichera à l'écran.
- ◆ Appuyer une fois sur le bouton ON/OFF. Le voyant rouge s'allume pour indiquer que la machine est branchée.
- ◆ L'eau commencera à couler en quelques secondes.

- ◆ Lorsque l'eau cessera de couler, vider le pichet, nettoyer le filtre permanent (C) et l'entonnoir porte-filtres (B).
- ◆ La machine est prête à faire du café.
- ◆ Pour arrêter la machine, appuyer sur ON/OFF et la machine s'arrêtera.

### Préparer du café directement, sans programmer la machine

- ◆ Remplir le réservoir (D) avec de l'eau froide jusqu'à l'affichage de l'indication Compartiment d'eau rempli.
- ◆ Ajouter le café moulu comme indiqué à la section Remplissage café.
- ◆ Placer le pichet (F) sur la plaque de chauffage.
- ◆ Brancher la machine. L'indication 12:00 s'affichera à l'écran.
- ◆ Appuyer une fois sur le bouton ON/OFF. Le voyant rouge s'allume.
- ◆ Le café commencera à couler en quelques secondes.
- ◆ Le pichet (F) peut être retiré même si le café est encore en préparation. Le système anti-goutte empêche le café de déborder lorsque le pot n'est pas sur la plaque. Cependant, si le pichet est retiré de la plaque pendant plus de 30 secondes, avant que toute l'eau ne soit passée à travers le filtre, alors un débordement est possible.
- ◆ Une fois le café préparé, la machine peut être éteinte.
- ◆ Pour arrêter la machine, appuyer sur ON/OFF et la machine s'arrêtera.
- ◆ Dans le cas contraire, la cafetière passera automatiquement en mode Maintien chaud puis s'éteindra automatiquement 40 minutes plus tard.
- ◆ AVERTISSEMENT : Ne pas laisser la cafetière sans surveillance durant la préparation du café.

### Après utilisation de l'appareil :

- ◆ Arrêter la machine.
- ◆ Il est possible d'éteindre la machine en appuyant sur ON/OFF ou encore de tout simplement de la laisser, elle s'éteindra automatiquement au bout de 40 minutes.
- ◆ Débrancher l'appareil du réseau électrique.
- ◆ Nettoyer l'appareil.

## INSTRUCTIONS DE PROGRAMMATION

### Fonctions d'affichage :

- ◆ Écran d'affichage à quatre chiffres pendant 24 heures, indiquant l'heure actuelle et l'heure programmée.

- ◆ Voyant rouge indiquant que l'appareil est en train de chauffer.
- ◆ Voyant vert indiquant que l'appareil est en veille et en attente de l'intervention de la minuterie.
- ◆ Lorsque la fiche est branchée dans la prise et que les deux voyants sont éteints, l'écran affiche soit l'heure actuelle, soit l'heure programmée.

## Boutons

- ◆ **Bouton « ON/OFF »** : appuyer sur la touche « ON/OFF » et la machine commencera à préparer du café.
- ◆ La machine s'éteindra automatiquement au bout de 40 minutes et l'heure actuelle s'affichera sur l'écran.
- ◆ Appuyer sur ce bouton lorsque le voyant vert est allumé et que vous souhaitez annuler l'heure de démarrage programmée.
- ◆ **Bouton « AUTO »** : il s'agit de l'interrupteur permettant le démarrage automatique de la machine.
- ◆ **Bouton « PROG »** : pour programmer la minuterie, appuyer une fois sur le bouton « PROG » pour régler l'heure désirée.
- ◆ Appuyer à nouveau sur « PROG » pour mettre l'appareil en veille (indiquée par le voyant vert allumé).
- ◆ Appuyer sur « AUTO » pour annuler le programme de minuterie programmé.

## Configuration du programme « PROG »

### 1. Réglage de l'heure actuelle :

- ◆ Brancher la machine. La valeur 12:00 s'affichera à l'écran, clignotant.
- ◆ Appuyer et maintenir le bouton « PROG » enfoncé pendant 3 secondes, «SET TIME» apparaît à l'écran dans le coin supérieur gauche.
- ◆ Appuyer sur « HR » pour régler l'heure.
- ◆ Appuyer sur « MIN » pour régler les minutes.
- ◆ Appuyer à nouveau sur le bouton « PROG » pendant 3 secondes après avoir terminé le réglage de l'heure. Sinon, l'heure préréglée sera annulée après écoulement d'un délai de 10 secondes.
- ◆ Si la machine est débranchée, l'heure préréglée s'effacera et il sera nécessaire de la régler à nouveau une fois la machine rebranchée.

### 2. Réglage de la minuterie :

- ◆ Appuyer et maintenir le bouton « PROG » (deux fois) enfoncé pendant 0,5 seconde pour accéder à la fonction de configuration.
- ◆ Le mots « SET TIMER » apparaîtra en clignotant en haut à droit de l'écran.

- ◆ Appuyer sur le bouton « HR » pour régler les heures et appuyer sur « MIN » pour régler les minutes.
- ◆ Appuyer sur le bouton « PROG » et le maintenir enfoncé pendant 0,5 seconde pour confirmer.
- ◆ Puis appuyez sur le bouton « AUTO » pour mettre l'appareil en mode de veille et en attente de l'intervention de la minuterie (le voyant vert est allumé).
- ◆ Appuyer à nouveau sur le bouton « AUTO » pour désactiver le mode veille. Restaurer la condition d'attente en appuyant de nouveau sur le bouton « AUTO ».
- ◆ Appuyer sur le bouton « PROG » et le maintenir enfoncé pendant 0,5 seconde pour vérifier l'heure programmée sur la minuterie.
- ◆ Appuyer de nouveau sur « PROG » pour confirmer et l'écran affichera à nouveau l'heure actuelle.
- ◆ Appuyer sur « ON/OFF » à tout moment pour allumer l'appareil. Le voyant rouge s'allumera.
- ◆ L'appareil commencera à fonctionner à l'heure programmée (le voyant rouge sera allumé). La machine s'éteindra automatiquement au bout de 2 heures, et l'heure actuelle s'affichera sur l'écran.
- ◆ Plage de temps réglable : 23 heures 59 minutes.
- ◆ Bouton d'heure « HR » : ce bouton ne sera utilisé que pour le réglage de l'heure. Appuyer sur ce bouton pendant 0,5 seconde pour ajouter une heure supplémentaire. En maintenant ce bouton enfoncé, les réglages de l'heure seront exécutés rapidement.
- ◆ Bouton de minute « MIN » : identique au bouton de réglage « HR ».
- ◆ AVERTISSEMENT : Ne pas laisser la cafetière sans surveillance durant la préparation du café.

## Après utilisation de l'appareil :

- ◆ Arrêter la machine.
- ◆ Il est possible d'éteindre la machine en appuyant sur ON/OFF ou encore de tout simplement de la laisser, elle s'éteindra automatiquement au bout de 40 minutes.
- ◆ Débrancher l'appareil du réseau électrique.
- ◆ Nettoyer l'appareil.

## NETTOYAGE

- ◆ Débrancher l'appareil du secteur et attendre son refroidissement complet avant de le nettoyer.
- ◆ Nettoyer l'appareil avec un chiffon humide imprégné de quelques gouttes de détergent et le laisser sécher.
- ◆ Ne pas utiliser de solvants ni de produits au pH acide ou basique tels qu'eau de Javel, ni de produits abrasifs pour nettoyer l'appareil.

## FRANÇAIS

- ◆ Si l'appareil n'est pas maintenu dans un bon état de propreté, sa surface peut se dégrader et affecter inexorablement la durée de vie de l'appareil et le rendre dangereux.
- ◆ Pour nettoyer le filtre permanent, le vider et le rincer à l'eau courante.
- ◆ Les pièces ci-dessous peuvent se laver à l'eau chaude savonneuse ou au lave-vaisselle (en mode délicat) :
  - Pichet.
- ◆ Veiller à bien sécher toutes les pièces avant de les monter ou de les ranger.

### Traitement des incrustations de tartre :

- ◆ Pour un parfait fonctionnement de l'appareil, celui-ci doit être libre de toute incrustation de calcaire ou magnésium résultant de l'utilisation d'eau trop dure.
- ◆ Pour éviter ce type de problème, il est recommandé d'utiliser des eaux faibles en minéraux calcaires ou en magnésium.
- ◆ S'il n'était pas possible d'utiliser le type d'eau recommandé antérieurement, vous devrez procéder régulièrement à un détartrage de l'appareil, à la fréquence suivante:
  - Toutes les 6 semaines si l'eau est «très dure».
  - Toutes les 12 semaines si l'eau est «dure».
  - Si le temps nécessaire pour faire une cafetière de café augmente considérablement
- ◆ Pour cela, il vous faudra utiliser un produit anti calcaire adapté à cet appareil.
- ◆ Les solutions maison, comme l'utilisation de vinaigre, pour les traitements de détartrage de l'appareil, ne sont pas recommandées.

## ANOMALIES ET RÉPARATION

- ◆ En cas de panne, remettre l'appareil à un service d'assistance technique agréé. Il est dangereux de tenter de procéder aux réparations ou de démonter l'appareil soi-même.

### Pour les versions UE du produit et/ou en fonction de la législation du pays d'installation :

### Écologie et recyclage du produit

- ◆ Les matériaux constitutifs de l'emballage de cet appareil font partie d'un programme de collecte, de tri et de recyclage. Si vous souhaitez vous débarrasser du produit, merci de bien vouloir utiliser les conteneurs publics appropriés à chaque type de matériau.

- ◆ Le produit ne contient pas de substances concentrées susceptibles d'être considérées comme nuisibles à l'environnement.



Ce symbole signifie que si vous souhaitez vous débarrasser de l'appareil, en fin de vie utile, celui-ci devra être déposé, en prenant les mesures adaptées, à un centre agréé pour la collecte et le tri des déchets d'équipements électriques et électroniques (DEEE).

Cet appareil est certifié conforme à la directive 2014/35/UE de basse tension, de même qu'à la directive 2014/30/UE en matière de compatibilité électromagnétique, à la directive 2011/65/UE relative à la limitation de l'utilisation de certaines substances dangereuses dans les équipements électriques et électroniques et à la directive 2009/125/CE sur les conditions de conception écologique applicable aux produits en rapport avec l'énergie.

### GARANTIE ET ASSISTANCE TECHNIQUE

Ce produit est reconnu et protégé par la garantie établie conformément à la législation en vigueur.

Pour faire valoir vos droits ou intérêts, vous devrez vous adresser à l'un de nos services d'assistance technique agréés.

Pour savoir lequel est le plus proche, vous pouvez accéder au lien suivant : <http://www.2helpu.com/>

Vous pouvez aussi nous contacter pour toute information (veuillez consulter la dernière page du manuel).

Vous pouvez télécharger ce manuel d'instructions et ses mises à jour sur <http://www.2helpu.com>

## Kaffeemaschine BXCO1000E

### Sehr geehrte Kunden,

Wir danken Ihnen, dass Sie sich für den Kauf der Marke Black+Decker entschieden haben.

Die Technologie, das Design und die Funktionalität dieses Produkts, das die anspruchsvollsten Qualitätsnormen erfüllt, werden Sie über viele Jahre zufriedenstellen.

- ◆ Lesen Sie die Gebrauchsanweisung sorgfältig, bevor Sie das Gerät einschalten und bewahren Sie diese zum Nachschlagen zu einem späteren Zeitpunkt auf. Werden die Hinweise dieser Bedienungsanleitung nicht beachtet und eingehalten, kann es zu Unfällen kommen.

## RATSCHLÄGE UND SICHERHEITSHINWEISE

- ◆ Dieser Apparat dient ausschließlich für Haushaltszwecke und ist für professionellen oder gewerblichen Gebrauch nicht geeignet. Dieses Gerät ist nur für den Hausgebrauch und nicht für gewerbliche oder industrielle Zwecke vorgesehen. Dieses Gerät ist nicht für Gäste von Gasthäusern wie Bed and Breakfast, Hotels, Motels oder von sonstigen Beherbergungsbetrieben sowie nicht für Landferienhäuser oder Personalräumen von Geschäften, Büros oder sonstigen Arbeitsstätten konzipiert worden.
- ◆ Vor der Erstanwendung müssen die Einzelteile, die mit Nahrungsmitteln in Kontakt geraten, so wie im Absatz Reinigung beschrieben, gereinigt werden.
- ◆ Dieses Gerät ist nicht geeignet für die Verwendung durch Personen mit eingeschränkter Wahrnehmung oder verminderten physischen oder geistigen Fähigkeiten oder einem Mangel an Erfahrung und Kenntnissen, sofern sie nicht durch eine für ihre Sicherheit verantwortliche Person beaufsichtigt oder bei der Bedienung angeleitet werden und die möglichen Gefahren verstehen.
- ◆ Personen, denen es an Wissen im Umgang mit dem Gerät mangelt, geistig behinderte Personen oder Kinder ab 8 Jahren dürfen das Gerät nur unter Aufsicht oder Anleitung über den sicheren Gebrauch des Gerätes benutzen, so dass sie die Gefahren, die von diesem Gerät ausgehen, verstehen.
- ◆ Kinder dürfen an dem Gerät keine Reinigungs- oder Instandhaltungsarbeiten vornehmen, sofern sie nicht älter als 8 Jahre sind und von einem Erwachsenen beaufsichtigt werden.
- ◆ Das Gerät und sein Netzanschluss dürfen nicht in die Hände von Kindern unter 8 Jahren kommen.
- ◆ Dieses Gerät ist kein Spielzeug. Kinder müssen beaufsichtigt werden, damit sie nicht mit dem Gerät spielen.
- ◆ Das Gerät nicht in Wasser oder andere Flüssigkeiten tauchen und nicht unter den Wasserhahn halten.
- ◆ Wenn der Netzstecker beschädigt ist, muss er ausgetauscht werden.

Bringen Sie das Gerät zu diesem Zweck zu einem zugelassenen Kundendienst. Um jegliche Gefahr auszuschließen, versuchen Sie nicht selbst, den Stecker abzumontieren und zu reparieren.

- ◆ Vergewissern Sie sich, dass die Spannung auf dem Typenschild mit der Netzspannung übereinstimmt, bevor Sie den Apparat an das Stromnetz anschließen.
- ◆ Das Gerät an einen Stromanschluss anschließen, der mindestens 10 Ampere liefert.
- ◆ Der Stecker des Geräts muss mit dem Steckdosentyp des Stromanschlusses übereinstimmen. Der Gerätestecker darf unter keinen Umständen modifiziert werden. Keine Adapter für den Stecker verwenden.
- ◆ Nicht mit Gewalt am elektrischen Anschlusskabel ziehen. Benutzen Sie das elektrische Kabel nicht zum Anheben oder Transportieren des Geräts. Den Stecker nicht am Kabel aus der Dose ziehen.
- ◆ Kabel nicht um das Gerät rollen.
- ◆ Achten Sie darauf, dass das elektrische Kabel nicht getreten oder zerknittert wird.
- ◆ Achten Sie darauf, dass das elektrische Verbindungskabel nicht mit heißen Teilen des Geräts in Kontakt kommt.
- ◆ Überprüfen Sie den Zustand des elektrischen Verbindungskabels. Beschädigte oder verwickelte Kabel erhöhen das Risiko von elektrischen Schlägen.
- ◆ Berühren Sie den Stecker nicht mit feuchten Händen.
- ◆ Das Gerät darf nicht mit beschädigtem elektrischem Kabel oder Stecker verwendet werden.
- ◆ Sollte ein Teil der Geräteverkleidung beschädigt sein, ist die Stromzufuhr umgehend zu unterbrechen, um einen möglichen elektrischen Schlag zu vermeiden.
- ◆ Das Gerät nicht benutzen, wenn es heruntergefallen ist, sichtbare Schäden aufweist oder undicht ist.
- ◆ Das Gerät nicht auf heiße Oberflächen sowie Kochplatten, Gasbrenner, Ofen oder Ähnliches stellen.
- ◆ Das Gerät muss auf einer ebenen und standfesten Oberfläche aufgestellt und benutzt werden.
- ◆ Dieses Gerät ist nicht für den Gebrauch im Außenbereich geeignet.
- ◆ Das Netzkabel ist regelmäßig auf Schäden zu prüfen. Bei beschädigtem Kabel darf das Gerät nicht verwendet

werden.

- ◆ Wärmeempfindliche Personen dürfen das Gerät nicht verwenden (da das Gerät mit erhitzbaren Flächen ausgestattet ist).
- ◆ Die erhitzten Teile des Gerätes nicht berühren, da sie schwere Verbrennungen verursachen können.

### Benutzung und Pflege:

- ◆ Vor jedem Gebrauch des Geräts das Stromkabel vollständig abwickeln.
- ◆ Das Gerät nicht ohne richtig eingesetzte/n Filter benutzen.
- ◆ Niemals das Gerät ohne Wasser einschalten.
- ◆ Benützen Sie das Gerät nicht, wenn der An-/Ausschalter nicht funktioniert.
- ◆ Das Gerät nicht bewegen, während es in Betrieb ist.
- ◆ Achten Sie auf die MAX- und MIN-Markierungen(E).
- ◆ Ziehen Sie den Stecker heraus und lassen Sie das Gerät abkühlen, bevor Sie mit der Reinigung beginnen.
- ◆ Zum Auffüllen des Wassertanks das Gerät vom Stromnetz nehmen.
- ◆ Das Gerät außerhalb der Reichweite von Kindern und/oder Personen mit eingeschränkten körperlichen, sensorischen oder geistigen Fähigkeiten bzw. Personen ohne ausreichende Erfahrung und Kenntnisse aufbewahren.
- ◆ Das Gerät nicht wegräumen, wenn es noch heiß ist.
- ◆ Das Gerät nur mit Wasser verwenden.
- ◆ Das Gerät nie am Stromnetz angeschlossen und ohne Aufsicht lassen. Sie sparen dadurch Energie und verlängern die Gebrauchsdauer des Gerätes.
- ◆ **WARNUNG:** Das Gerät nicht benutzen, wenn das Glas Risse aufweist oder zerbrochen ist.

### Betrieb:

- ◆ Unsachgemäße Verwendung bzw. Nichteinhaltung der Gebrauchsanweisung kann Gefahren zur Folge haben und führt zum Erlöschen der Garantieansprüche sowie der Haftung des Herstellers.

## BEZEICHNUNG

- A Deckel
- B Filterhalter
- C Dauerfilter
- D Wassertank
- E Wasseranzeige
- F Kanne
- G Warmhalteplatte
- H PROG-Taste (Programmierung)

- I ON/OFF-Taste (Start/Stop)
- J MIN-Taste (Minuten)
- K STD-Taste (Stunden)
- K1 Auto-Taste
- L Messlöffel
- M Netzkabel

## BENUTZUNGSHINWEISE

### Vor der Benutzung:

- ◆ Vergewissern Sie sich, dass Sie das gesamte Verpackungsmaterial des Produkts entfernt haben.
- ◆ Vor dem ersten Gebrauch des Produktes wird empfohlen, einen Durchlauf nur mit Wasser vorzunehmen.

### Mit Wasser füllen:

- ◆ Der Behälter muss unbedingt mit Wasser gefüllt werden, bevor die Maschine in Gang gesetzt werden kann.
- ◆ Öffnen Sie den Deckel (A).
- ◆ Den Tank (D) mit kaltem Wasser füllen.
- ◆ Füllen Sie den Behälter. Achten Sie dabei darauf, den MAX-Füllstand (E) nicht zu überschreiten und ausreichend Wasser für die gewünschte Anzahl Tassen Kaffee einzufüllen.
- ◆ Schließen Sie den Deckel (A).

### Füllung mit Kaffee:

- ◆ Entnehmen Sie den Dauerfilter (C) aus dem Filterträger (B).
- ◆ Den herausnehmbaren Filter mit gemahlener Kaffee füllen (6-7 g gemahlener Kaffee pro zuzubereitender Tasse Kaffee).
- ◆ Überprüfen, ob der herausnehmbare Filter perfekt im Filterhalter sitzt und ob der Deckel (A) richtig geschlossen ist.
- ◆ Zum Dosieren können Sie den Messlöffel verwenden (L).

## BENUTZUNG

### Vor der ersten verwendung

- ◆ Um exzellenten Kaffee ab der ersten Tasse sicherzustellen, empfehlen wir, das Gerät zunächst folgendermaßen mit lauwarmem Wasser auszuspülen:
- ◆ Geben Sie 1,25 l Wasser in den Tank (D).
- ◆ Setzen Sie den Dauerfilter (C) ohne Kaffee in den Filterträger (B) und schließen Sie den Deckel der Kaffeemaschine.

- ◆ Setzen Sie den Deckel (F) auf die Heizplatte (G).
- ◆ Schließen Sie das Gerät an das Netz. Auf dem Display erscheint 12:00.
- ◆ Betätigen Sie ein Mal ON/OFF. Die rote Leuchtanzeige schaltet sich ein, wenn die Maschine angeschlossen ist.
- ◆ Nach einigen Sekunden beginnt das Wasser auszutreten.
- ◆ Wenn kein Wasser mehr austritt, entleeren Sie die Kanne, reinigen sie den Dauerfilter (C) und den Filterträger (B).
- ◆ Jetzt ist die Maschine für die Zubereitung von Kaffee bereit.
- ◆ Wenn Sie das Gerät stoppen möchten, betätigen Sie On/Off und die Maschine stoppt.

### Direkte zubereitung von kaffee, ohne programmierung

- ◆ Füllen Sie den Tank (D) mit kaltem Wasser (vgl. Abschnitt Mit Wasser Füllen).
- ◆ Geben Sie gemahlener Kaffee hinzu (vgl. Abschnitt Füllen mit Kaffee).
- ◆ Setzen Sie die Kanne (F) auf die Heizplatte.
- ◆ Schließen Sie das Gerät an das Netz. Auf dem Display erscheint 12:00.
- ◆ Betätigen Sie ein Mal die Taste ON/OFF. Die rote Leuchte beginnt zu leuchten.
- ◆ Nach einigen Sekunden beginnt der Kaffee in die Kanne zu fließen.
- ◆ Die Kanne (F) kann während der Zubereitung des Kaffees herausgenommen werden. Das Tropf-Stopp-System verhindert das Herauslaufen des Kaffees, wenn sich die Kanne nicht auf ihrer Position befindet. Wird die Kanne jedoch mehr als 30 Sekunden von ihrer Position entfernt, bevor das gesamte Wasser durch den Filter gelaufen ist, kann dieser überlaufen.
- ◆ Wenn der Kaffee durchgelaufen ist, können Sie das Gerät ausschalten.
- ◆ Wenn Sie das Gerät stoppen möchten, betätigen Sie On/Off und die Maschine stoppt.
- ◆ Ist dies nicht der Fall, geht die Kaffeemaschine automatisch in den Warmhaltemodus über und nach 40 Minuten schaltet sich die Kaffeemaschine automatisch aus
- ◆ **WARNUNG:** Lassen Sie die Kaffeemaschine nie unbeaufsichtigt, während sie in Betrieb ist.

### Nach der Benutzung des Geräts:

- ◆ Das Gerät ausschalten.
- ◆ Sie können ON/OFF drücken, um die Kaffeemaschine auszuschalten, oder diese einfach angeschaltet lassen, sie schaltet sich nach 40 Minuten automatisch aus



- ◆ Den Stecker aus der Netzdose ziehen.
- ◆ Reinigen Sie das Gerät.

## PROGRAMMIERANLEITUNG

### Visualisierungsfunktionen:

- ◆ Bildschirm mit 4 Ziffern für 24 Stunden, der die aktuelle Zeit und die programmierte Zeit anzeigt.
- ◆ Rotes LED, das anzeigt, dass das Gerät aufheizt.
- ◆ Grünes LED, das anzeigt, dass das Gerät auf die Zeitschaltuhr wartet.
- ◆ Wenn der Stecker an das Netz angeschlossen ist und beide LEDs ausgeschaltet sind, zeigt der Bildschirm die aktuelle oder die voreingestellte Zeit an.

### Tasten

- ◆ **Taste „ON/OFF“:** Drücken Sie die Taste „ON/OFF“, fängt das Gerät mit der Kaffeezubereitung an.
- ◆ Das Gerät schaltet automatisch nach 40 Minuten ab und danach zeigt der Bildschirm die aktuelle Zeit an.
- ◆ Drücken Sie diese Taste, wenn das grüne LED eingeschaltet ist und Sie die programmierte Startzeit löschen möchten.
- ◆ **Taste „AUTO“:** Diese Taste dient zum automatischen Einschalten.
- ◆ **Taste „PROG“:** Um die Zeitschaltuhr zu programmieren, müssen Sie die Taste „PROG“ einmal drücken, um mit dem Einstellen der gewünschten Zeit zu beginnen.
- ◆ Drücken Sie danach erneut „PROG“, um das Gerät auf die Wartefunktion zu stellen (durch leuchtendes grünes LED angezeigt).
- ◆ Durch Drücken von „AUTO“ stornieren Sie das Programm der voreingestellten Zeitschaltuhr.

### Konfiguration des Programms „PROG“

#### 1. Konfiguration der aktuellen Zeit:

- ◆ Schließen Sie das Gerät ans Netz an und das System zeigt 12:00 an, blinkt.
- ◆ Drücken Sie die Taste „PROG“ und halten Sie diese 3 Sekunden lang gedrückt, „SET TIME“ erscheint auf dem Bildschirm in der oberen linken Ecke.
- ◆ Drücken Sie „HR“, um die Stunde einzustellen.
- ◆ Drücken Sie „MIN“, um die Minuten einzustellen.
- ◆ Drücken Sie die Taste „PROG“ erneut und halten Sie diese 3 Sekunden lang gedrückt, um die Zeiteinstellung abzuschließen. Ansonsten wird die voreingestellte Zeit nach 10 Sekunden gelöscht.

- ◆ Stecken Sie das Gerät aus, wird die voreingestellte Zeit gelöscht und muss nach dem erneuten Einstecken des Geräts beim nächsten Gebrauch neu eingestellt werden.

#### 2. Einstellen der Zeitschaltuhr:

- ◆ Drücken Sie die Taste „PROG“ (zweimal) und halten Sie diese 0,5 Sekunden lang gedrückt, um die Konfigurationsfunktion verwenden zu können.
- ◆ Das Wort „SET TIMER“ wird an der rechten oberen Ecke aufblincken.
- ◆ Drücken Sie die Taste „HR“, um die Stunden einzustellen und drücken Sie „MIN“, um die Minuten einzustellen.
- ◆ Drücken Sie die Taste „PROG“ und halten Sie sie 0,5 Sekunden lang gedrückt, um zu bestätigen.
- ◆ Drücken Sie die Taste „AUTO“, um das Gerät auf die Wartefunktion der Zeitschaltuhr zu stellen (das grüne LED wird leuchten).
- ◆ Drücken Sie erneut die Taste „AUTO“, um die Wartefunktion auszuschalten. Aktivieren Sie die Wartefunktion erneut, indem Sie erneut die Taste „AUTO“ drücken.
- ◆ Halten Sie die Taste „PROG“ 0,5 Sekunden lang gedrückt, um die voreingestellte Zeit der Zeitschaltuhr zu überprüfen.
- ◆ Drücken Sie „PROG“ erneut, um zu bestätigen, und der Bildschirm kehrt zur aktuellen Zeit zurück.
- ◆ Drücken Sie jederzeit „ON/OFF“, um das Gerät einzuschalten und das rote LED leuchtet.
- ◆ Das Gerät nimmt seinen Betrieb zur voreingestellten Zeit auf (das rote LED leuchtet). Das Gerät schaltet automatisch nach 2 Stunden ab und der Bildschirm zeigt die aktuelle Stunde an.
- ◆ Einstellbarer Zeitbereich: 23 Stunden 59 Minuten.
- ◆ Stundentaste „HR“: Diese Taste wird nur für die Einstellung der Stunde verwendet. Halten Sie diese Taste während 0,5 Sekunden für jede weitere Stunde gedrückt. Durch das stete Drücken dieser Taste wird die Einstellung der Stunde schnell durchgeführt.
- ◆ Minutentaste „MIN“: So wie die Einstellung „HR“.
- ◆ **WARNUNG:** Lassen Sie die Kaffeemaschine nie unbeaufsichtigt, während sie in Betrieb ist.

#### Nach der Benutzung des Geräts:

- ◆ Das Gerät ausschalten.
- ◆ Sie können ON/OFF drücken, um die Kaffeemaschine auszuschalten, oder diese einfach angeschaltet lassen, sie schaltet sich nach 40 Minuten automatisch aus.
- ◆ Den Stecker aus der Netzdose ziehen.
- ◆ Reinigen Sie das Gerät.



## REINIGUNG

- ◆ Ziehen Sie den Stecker heraus und lassen Sie das Gerät abkühlen, bevor Sie mit der Reinigung beginnen.
- ◆ Reinigen Sie das Gerät mit einem feuchten Tuch, auf das Sie einige Tropfen Reinigungsmittel geben und trocknen Sie es danach ab.
- ◆ Verwenden Sie zur Reinigung des Geräts weder Löse- oder Scheuermittel noch Produkte mit einem sauren oder basischen pH-Wert wie z.B. Lauge.
- ◆ Halten Sie das Gerät nicht sauber, so könnten sich der Zustand seiner Oberfläche verschlechtern, seine Lebenszeit negativ beeinflusst und gefährliche Situationen verursacht werden.
- ◆ Den Dauerfilter vor dem Reinigen leeren und dann unter fließendem Wasser ausspülen.
- ◆ Folgende Teile sind für die Reinigung in warmem Seifenwasser oder in der Spülmaschine (kurzes Spülprogramm) geeignet:
  - Kanne
- ◆ Trocknen Sie alle Teile gut ab, bevor Sie das Gerät montieren und aufbewahren.

### Behandlung von verkrusteten Kalkablagerungen:

- ◆ Für den perfekten Betrieb ist das Gerät von Kalk- oder Magnesiumresten zu befreien, die sich durch besonders hartes Wasser ablagern.
- ◆ - Um dies zu vermeiden empfiehlt sich der Gebrauch von Wasser mit geringem Kalk oder Magnesiumgehalt.
- ◆ Steht das empfohlene Wasser nicht zur Verfügung, sollte in folgenden Abständen eine Entkalkungsbehandlung erfolgen:
  - Alle 6 Wochen wenn das Wasser "sehr hart" ist.
  - Alle 12 Wochen wenn das Wasser "hart" ist.
  - Wenn sich die Zeit, die zur Zubereitung einer Kanne Kaffee benötigt wird, erheblich erhöht
- ◆ Dafür müssen Sie ein für dieses Gerät bestimmtes Anti-kalkmittel anwenden.
- ◆ Hausgemachte Lösungen, wie mit Essig zubereitete Flüssigkeiten, sind nicht zur Entkalkung des Geräts geeignet.

## STÖRUNGEN UND REPARATUR

- ◆ Bei Schäden und Störungen bringen Sie das Gerät zu einem zugelassenen Technischen Kundendienst. Versuchen Sie nicht, das Gerät selbst auseinander-

zubauen und zu reparieren. Das könnte Gefahren zur Folge haben.

### Für die EU-Ausführungen des Produkts und/oder für Länder, in denen diese Vorschriften anzuwenden sind:

#### Ökologie und Recycling des Produkts

- ◆ Die zur Herstellung des Verpackungsmaterials dieses Geräts verwendeten Materialien sind im Sammel-, Klassifizierungs- und Recyclingsystem integriert. Wenn Sie es entsorgen möchten, können Sie die öffentlichen Container für die einzelnen Materialarten verwenden.
- ◆ Das Produkt ist frei von umweltschädlichen Konzentrationen von Substanzen.



Dieses Symbol weist darauf hin, dass das Produkt, wenn Sie es am Ende seiner Lebensdauer entsorgen wollen, in geeigneter Weise bei einer zugelassenen Entsorgungsstelle abzugeben ist, um die getrennte Sammlung von Elektro- und Elektronikgeräte-Abfall (WEEE)

sicherzustellen.

Dieses Gerät erfüllt die Richtlinie 2014/35/EU über Niederspannung, die Richtlinie 2014/30/EU über elektromagnetische Verträglichkeit, die Richtlinie 2011/65/EU zur Beschränkung der Verwendung bestimmter gefährlicher Stoffe in Elektro- und Elektronikgeräten und die Richtlinie 2009/125/EG über die Anforderungen an die umweltgerechte Gestaltung energiebetriebener Produkte.

#### GARANTIE UND TECHNISCHER SERVICE

Dieses Produkt ist von der gesetzlichen Garantie gemäß der geltenden Gesetzgebung geschützt.

Um Ihre Rechte und Interessen geltend zu machen, müssen Sie eines unserer offiziellen Servicezentren aufsuchen.

Über folgenden Link finden Sie ein Servicezentrum in Ihrer Nähe: <http://www.2helpu.com/>

Sie können auch Informationen anfordern, indem Sie sich mit uns in Verbindung setzen (siehe letzte Seite des Handbuchs).

Sie können dieses Benutzerhandbuch und seine Aktualisierungen unter <http://www.2helpu.com> herunterladen.

## Macchina per il caffè BXCO1000E

### Egregio cliente,

Le siamo grati per aver acquistato un prodotto della marca Black + Decker.

La sua tecnologia, il suo design e la sua funzionalità, oltre al fatto di aver superato le più rigorose norme di qualità, le assicureranno una totale e durevole soddisfazione.

◆ Prima di utilizzare l'apparecchio, leggere attentamente le istruzioni riportate nel presente opuscolo e conservarlo per future consultazioni. La mancata osservanza delle presenti istruzioni può essere causa di incidenti.

## CONSIGLI E AVVERTENZE PER LA SICUREZZA

- ◆ Questo apparecchio è destinato unicamente ad un uso domestico, non professionale o industriale. L'apparecchio è stato progettato per un uso esclusivamente domestico e non è destinato a un uso professionale e industriale. Non è adatto all'utilizzo da parte di ospiti di strutture ricettive, quali bed and breakfast, hotel, motel e altri tipi di ambienti residenziali, compresi agriturismo o aree di riposo per il personale di negozi, uffici e altri ambienti di lavoro.
- ◆ Prima del primo utilizzo dell'apparecchio, si consiglia di pulire tutte le parti a contatto con gli alimenti, come indicato nella sezione dedicata alla pulizia.
- ◆ Questo apparecchio è idoneo per l'utilizzo da parte di persone con capacità fisiche, sensoriali o mentali ridotte o da persone non familiari con la manipolazione dello stesso, purché sorvegliati o debitamente informati sull'utilizzo in sicurezza della macchina e sui potenziali pericoli associati.
- ◆ Questo apparato può essere utilizzato da persone che non ne conoscono il funzionamento, persone disabili o bambini di età superiore a 8 anni, esclusivamente sotto la sorveglianza di un adulto o nel caso abbiano ricevuto le istruzioni per un suo uso in tutta sicurezza e ne comprendano i rischi.
- ◆ I bambini non devono effettuare operazioni di pulizia o manutenzione dell'apparecchio se sono minori di 8 anni e comunque sempre sotto la sorveglianza di un adulto.
- ◆ Mantenere l'apparecchio e le parti per il collegamento alla rete elettrica fuori dalla portata di bambini minori di 8 anni.
- ◆ Questo apparecchio non è un giocattolo. Assicurarsi che i bambini non giochino con l'apparecchio.
- ◆ Non immergere l'apparecchio in acqua o altri liquidi, né lavarlo con acqua corrente.
- ◆ Se la connessione alla rete elettrica è danneggiata, è necessario sostituirla, rivolgendosi a un Centro di Assistenza Tecnica autorizzato. Non tentare di smontare o di riparare l'apparecchio.

◆ Prima di collegare l'apparecchio alla rete elettrica, verificare che il voltaggio indicato sulla targhetta caratteristica e il selettore di voltaggio corrispondano al voltaggio della rete.

- ◆ Collegare l'apparecchio a una base dotata di messa a terra in grado di sostenere almeno 10 ampere.
- ◆ Verificare che la presa sia adatta alla spina dell'apparecchio. Non apportare alcuna modifica alla spina. Non usare adattatori.
- ◆ Non tirare il cavo elettrico. Non usare mai il cavo elettrico per sollevare, trasportare o scollegare l'apparecchio.
- ◆ Non avvolgere il cavo di alimentazione attorno all'apparecchio.
- ◆ Non lasciare che il cavo rimanga impigliato o attorcigliato.
- ◆ Non lasciare che il cavo di connessione entri in contatto con le superfici calde dell'apparecchio.
- ◆ Controllare lo stato del cavo di alimentazione: I cavi danneggiati o attorcigliati aumentano il rischio di scariche elettriche.
- ◆ Non toccare mai la spina con le mani bagnate.
- ◆ Non utilizzare l'apparecchio se il cavo di alimentazione o la spina fossero danneggiati.
- ◆ In caso di rottura di una parte dell'involucro esterno dell'apparecchio, scollegare immediatamente la spina dalla presa di corrente al fine di evitare eventuali scariche elettriche.
- ◆ Non usare l'apparecchio dopo una caduta, se presenta danni visibili o in presenza di qualsiasi perdita.
- ◆ Non collocare l'apparecchio su superfici calde come piastre di cottura, bruciatori a gas, forni o simili.
- ◆ L'apparecchio deve essere collocato e utilizzato su una superficie piana e stabile.
- ◆ Apparato non idoneo all'uso in ambienti esterni.
- ◆ Ispezionare regolarmente il cavo di alimentazione per individuare segni di danneggiamento, nel qual caso non è consentito l'utilizzo dell'apparecchio.
- ◆ Si sconsiglia l'uso dell'apparecchio a persone insensibili al calore in quanto l'apparecchio possiede superfici riscaldate.
- ◆ Non toccare le parti riscaldate dell'apparecchio perché potrebbero provocare gravi scottature.

### Precauzioni d'uso:

- ◆ Prima di ogni utilizzo, svolgere completamente il cavo dell'apparecchio.
- ◆ Non utilizzare l'apparecchio se il/i filtro/i non sono collocati correttamente.
- ◆ Non utilizzare l'apparecchio senza acqua.
- ◆ Non utilizzare l'apparecchio se il suo dispositivo di accensione/spengimento non è funzionante.
- ◆ Non muovere l'apparecchio durante l'uso
- ◆ Fare attenzione ai livelli MASSIMO e MINIMO (E).
- ◆ Scollegare la spina dalla presa di corrente quando l'apparecchio non è in uso e prima di eseguire qualsiasi operazione di pulizia.
- ◆ Scollegare l'apparecchio dalla rete prima di riempire il serbatoio d'acqua.
- ◆ Conservare questo apparecchio fuori dalla portata dei bambini e/o di persone con problemi fisici, mentali o di sensibilità, o con mancanza di esperienza e conoscenza.
- ◆ Non riporre l'apparecchio quando ancora caldo.
- ◆ Utilizzare l'apparecchio solo con acqua.
- ◆ Non lasciare mai l'apparecchio collegato alla rete elettrica e senza controllo. Si otterrà un risparmio energetico e si prolungherà la vita dell'apparecchio stesso.
- ◆ AVVERTENZA: Non utilizzare l'apparecchio se il vetro è incrinato o rotto.

### Servizio:

- ◆ Il produttore invalida la garanzia e declina ogni responsabilità in caso di uso inappropriato dell'apparecchio o non conforme alle istruzioni d'uso.

## DESCRIZIONE

- A Coperchio
- B Imbuto Porta-filtri
- C Filtro permanente
- D Serbatoio d'acqua
- E Livello dell'acqua
- F Caraffa
- G Piastra riscaldante
- H Pulsante PROG (Programma)
- I Pulsante ON/OFF (Avvio/Arresto)
- J Pulsanti MIN (Minuti)
- K Pulsante Hours (Ore)
- K1 Pulsante Automatico
- L Cucchiaino dosatore
- M Cavo di collegamento

## MODALITÀ D'USO

### Prima dell'uso:

- ◆ Assicurarsi di aver rimosso dal prodotto tutto il materiale di imballaggio.
- ◆ Si consiglia di adoperare il prodotto solo con acqua per il primo utilizzo.

### Riempimento d'acqua:

- ◆ È necessario riempire il serbatoio con acqua prima di avviare l'apparecchio.
- ◆ Aprire il coperchio (A).
- ◆ Riempire il serbatoio (D) con acqua fredda.
- ◆ Riempire il recipiente rispettando il livello MAX (E) in base al numero di tazze che si desiderino preparare
- ◆ Chiudere il coperchio (A).

### Riempimento del Caffè:

- ◆ Togliere il filtro permanente (C) dal porta-filtri (B).
- ◆ Riempire il filtro estraibile con caffè macinato (utilizzare 6-7 g di caffè per ogni tazza da preparare).
- ◆ Verificare che il filtro estraibile sia collocato correttamente nel porta filtri e che il coperchio (A) sia ben chiuso.
- ◆ È possibile utilizzare il cucchiaino dosatore (L).

## USO

### Prima del primo utilizzo

- ◆ Per assicurare un caffè eccellente fin dalla prima tazza, consigliamo di risciacquare con acqua tiepida come spiegato a continuazione:
- ◆ Versare 1,25 L di acqua nel serbatoio (D).
- ◆ Posizionare il Filtro Permanente (C) sull'imbuto (B), vuoto, senza caffè, e chiudere il coperchio (A) della macchina per il caffè.
- ◆ Posizionare la caraffa (F) sulla piastra riscaldante (G).
- ◆ Collegare alla rete elettrica Sullo schermo apparirà 12:00.
- ◆ Premere ON/OFF una volta. La spia luminosa si accende, per indicare che la macchina è collegata.
- ◆ L'acqua inizierà ad uscire in pochi secondi.
- ◆ Quando termini di uscire l'acqua, svuotare la caraffa, pulire il Filtro permanente (C) e l'imbuto porta-filtri (B).
- ◆ La macchina è pronta per fare il caffè.
- ◆ Se si volesse fermare la macchina, premere ON/OFF e la macchina si spegnerà.

### Per fare il caffè direttamente, senza programmarla

- ◆ Riempire il serbatoio (D) di acqua fredda, in base alle indicazioni del Capitolo Riempimento d'Acqua.
- ◆ Aggiungere del caffè macinato, in base alle indicazioni del Capitolo Riempimento del Caffè.
- ◆ Posizionare la caraffa (F) sulla piastra riscaldante.
- ◆ Collegare alla rete elettrica. Sullo schermo apparirà 12:00.
- ◆ Premere il pulsante ON/OFF una volta. La spia luminosa si illuminerà.
- ◆ Il caffè inizierà ad uscire in pochi secondi.
- ◆ Si può togliere la caraffa (F) mentre sta uscendo il caffè. Il sistema anti-goccia evita che il caffè si sparga quando la caraffa non si trova nella sua posizione. Tuttavia, se la caraffa non torna alla sua posizione entro 30 secondi, prima che sia passata tutta l'acqua per il filtro, è possibile che il filtro tracimi.
- ◆ Quando si termini di fare caffè, si può spegnere la macchina.
- ◆ Se si volesse fermare la macchina, premere ON/OFF e la macchina si spegnerà.
- ◆ Altrimenti la macchina passerà automaticamente alla modalità di Conservare Calore e, trascorse 40 minuti si spegnerà automaticamente.
- ◆ AVVERTENZA: Non lasciare la macchina incustodita mentre produce caffè.

### Una volta concluso l'utilizzo dell'apparecchio:

- ◆ Fermare l'apparecchio.
- ◆ Si può premere ON/OFF per fermare o si può semplicemente attendere che la macchina si spenga automaticamente dopo 40 minuti.
- ◆ Scollegare l'apparecchio dalla rete.
- ◆ Pulire l'apparecchio.

## ISTRUZIONI DI PROGRAMMAZIONE

### Funzioni di visualizzazione:

- ◆ Display a quattro caratteri per le 24 ore, che indica l'ora attuale e l'ora programmata.
- ◆ Led rosso, che indica quando l'apparecchio si sta scaldando.
- ◆ Led verde, che indica quando l'apparecchio è in modalità di attesa del temporizzatore.

- ◆ Quando la spina è collegata alla presa di corrente ed entrambi i Led sono spenti, il display mostrerà l'ora attuale o l'ora programmata.

## Pulsanti

- ◆ **Pulsante "ON/OFF"**: Premendo il tasto "ON/OFF" l'apparecchio inizia a preparare il caffè.
- ◆ L'apparecchio si spegnerà automaticamente dopo 40 minuti e poi il display mostrerà l'ora attuale.
- ◆ Premere questo tasto quando il led verde sia acceso e si desideri cancellare l'ora d'avvio programmata.
- ◆ **Pulsante "AUTO"**: è l'interruttore per l'avvio automatico.
- ◆ **Pulsante "PROG"**: serve per programmare il temporizzatore e si deve premere una volta per iniziare a configurare l'ora desiderata.
- ◆ Poi si deve premere nuovamente "PROG" per cambiare la modalità dell'apparecchio ad attesa (indicata dal led verde acceso).
- ◆ Premendo "AUTO" si cancellerà il programma prestabilito del temporizzatore.

## Configurazione del programma "PROG"

### 1. Configurazione dell'ora attuale:

- ◆ Collegarlo alla rete elettrica e il sistema mostrerà 12:00, lampeggiante.
- ◆ Premere e tenere premuto per 3 secondi il pulsante "PROG", "SET TIME" apparirà sullo schermo nell'angolo in alto a sinistra.
- ◆ Premere "HR" per configurare l'ora.
- ◆ Premere "MIN" per configurare i minuti.
- ◆ Premere e tenere premuto nuovamente per 3 secondi il pulsante "PROG" dopo aver terminato la regolazione dell'ora. Altrimenti, il tempo prestabilito si cancellerà trascorsi 10 secondi.
- ◆ Se si scollega il dispositivo, si cancellerà l'ora prestabilita e si dovrà iniziare nuovamente dopo aver collegato il dispositivo per l'uso successivo.

### 2. Configurazione del temporizzatore:

- ◆ Premere e tenere premuto per 0,5 secondi il pulsante "PROG" (due volte) per entrare nella funzione di configurazione.
- ◆ Apparirà la parola "SET TIMER", che lampeggerà nell'angolo in alto a destra
- ◆ Premere il pulsante "HR" per configurare le ore e premere "MIN" per impostare i minuti.
- ◆ Premere e tenere premuto per 0,5 secondi il pulsante "PROG" per confermare.
- ◆ Premere il pulsante "AUTO" perché l'apparecchio passi

alla modalità di attesa del temporizzatore (il Led verde sarà acceso).

- ◆ Premere nuovamente il pulsante "AUTO" per spegnere la modalità di attesa. Riprendere la modalità di attesa premendo nuovamente il pulsante "AUTO".
- ◆ Tenere premuto per 0,5 secondi il pulsante "PROG" per verificare l'ora prestabilita del temporizzatore.
- ◆ Premere nuovamente "PROG" per confermare e il display tornerà all'ora attuale.
- ◆ Premere "ON/OFF" in qualsiasi momento per accendere l'apparecchio e si accenderà il led rosso.
- ◆ Il dispositivo inizierà a funzionare all'ora prestabilita (il led rosso sarà acceso). L'apparecchio si spegnerà automaticamente dopo 2 ore e poi il display LCD mostrerà l'ora attuale.
- ◆ Intervallo di tempo programmabile: 23 ore 59 minuti.
- ◆ Pulsante dell'ora "HR": questo pulsante si utilizza solo per impostare l'ora. Tenere premuto questo pulsante per 0,5 secondi per aumentare di una unità l'ora. Tenendo premuto questo pulsante si configurerà più rapidamente l'ora.
- ◆ Pulsante dei minuti "MIN": stesse indicazioni del pulsante "HR".
- ◆ **AVVERTENZA**: Non lasciare la macchina incustodita mentre produce caffè.

## Una volta concluso l'utilizzo dell'apparecchio:

- ◆ Fermare l'apparecchio.
- ◆ Si può premere ON/OFF per fermare o si può semplicemente attendere che la macchina si spenga automaticamente dopo 40 minuti.
- ◆ Scollegare l'apparecchio dalla rete.
- ◆ Pulire l'apparecchio.

## PULIZIA

- ◆ Scollegare la spina dalla rete elettrica e aspettare che l'apparecchio si raffreddi prima di eseguirne la pulizia.
- ◆ Pulire il gruppo elettrico con un panno umido, quindi asciugarlo.
- ◆ Per la pulizia non impiegare solventi o prodotti a pH acido o basico come la candeggina, né prodotti abrasivi.
- ◆ La mancata pulizia periodica dell'apparecchio può provocare il deterioramento delle superfici, compromettendone la durata operativa e la sicurezza.
- ◆ Per pulire il filtro permanente, svuotarlo e risciacquarlo con acqua corrente.
- ◆ I seguenti pezzi possono essere lavati con acqua e

detersivo o in lavastoviglie (usando un programma li lavaggio leggero):

- Caraffa.

- ◆ Prima di montare e riporre l'apparecchio, asciugare bene tutti i pezzi.

### Eliminazione delle incrostazioni calcaree:

- ◆ Per un corretto funzionamento dell'apparecchio, evitare la formazione di incrostazioni di calcio o magnesio causate dall'uso di acqua ad elevata durezza.
- ◆ A tal fine, si raccomanda l'uso di un'acqua a basso contenuto di sali di calcio e magnesio.
- ◆ In ogni caso, se non è possibile usare il tipo d'acqua raccomandato, si consiglia di eseguire periodicamente un procedimento di decalcificazione dell'apparecchio:
  - Ogni 6 settimane se l'acqua è "molto dura".
  - Ogni 12 settimane se l'acqua è "dura".
  - Se il tempo necessario per ottenere una caraffa di caffè aumenta considerevolmente.
- ◆ Per far ciò si dovrà utilizzare un prodotto anticalcare specifico per questo tipo di apparecchio.
- ◆ Si consiglia di evitare rimedi fatti in casa, come l'uso dell'aceto.

## ANOMALIE E RIPARAZIONI

- ◆ In caso di guasto, rivolgersi ad un Centro d'Assistenza Tecnica autorizzato. Non tentare di smontare o di riparare l'apparecchio: può essere pericoloso.

### Per i prodotti dell'Unione Europea e/o nel caso in cui sia previsto dalla legislazione del Suo paese di origine:

#### Prodotto ecologico e riciclabile

- ◆ I materiali che costituiscono l'imballaggio di questo apparecchio sono compresi in un sistema di raccolta, classificazione e riciclaggio degli stessi. Per lo smaltimento, utilizzare gli appositi contenitori pubblici, adatti per ogni tipo di materiale.
- ◆ Il prodotto non contiene concentrazioni di sostanze considerate dannose per l'ambiente.



Questo simbolo indica che, per smaltire il prodotto al termine della sua durata utile, occorre depositarlo presso un ente di smaltimento autorizzato alla raccolta differenziata di rifiuti di apparecchiature elettriche ed elettroniche (RAEE).

Questo apparecchio rispetta la Direttiva 2014/35/UE di Bassa Tensione, la Direttiva 2014/30/UE di Compatibilità Elettromagnetica, la Direttiva 2011/65/UE sui limiti d'impiego di determinate sostanze pericolose negli apparecchi elettrici ed elettronici e la Direttiva 2009/125/CE riguardante l'Ecodesign dei prodotti che consumano energia.

### GARANZIA E ASSISTENZA TECNICA

Questo prodotto possiede il riconoscimento e la protezione della garanzia legale di conformità con la legislazione vigente.

Per far valere i suoi diritti o interessi, dovrà rivolgersi a uno qualsiasi dei nostri servizi ufficiali di assistenza tecnica.

Può trovare il più vicino cliccando sul seguente link: <http://www.2helpu.com/>

Inoltre, può richiedere informazioni mettendosi in contatto con noi (consultare l'ultima pagina del manuale).

Può scaricare questo manuale di istruzioni e i suoi aggiornamenti da <http://www.2helpu.com>

**Cafetera  
BXCO1000E**

Distinguido cliente:

Le agradecemos que se haya decidido por la compra de un producto de la marca Black + Decker

Su tecnología, diseño y funcionalidad, junto con el hecho de superar las más estrictas normas de calidad le comportarán total satisfacción durante mucho tiempo.

◆ Leer atentamente este folleto de instrucciones antes de poner el aparato en marcha y guardarlo para posteriores consultas. La no observación y cumplimiento de estas instrucciones pueden comportar como resultado un accidente.

**CONSEJOS Y ADVERTENCIAS  
DE SEGURIDAD**

- ◆ Este aparato está pensado únicamente para un uso doméstico, no para uso profesional o industrial. No está pensado para ser usado por clientes en entornos de hostelería de tipo alojamiento y desayuno, hoteles, moteles y otros entornos de tipo residencial, tampoco en casas rurales, zonas de cocina reservadas para el personal en tiendas, oficinas y otros entornos de trabajo.
- ◆ Antes del primer uso, limpiar todas las partes del producto que puedan estar en contacto con alimentos, procediendo tal como se indica en el apartado de limpieza.
- ◆ Este aparato pueden utilizarlo personas con capacidades físicas, sensoriales o mentales reducidas o falta de experiencia y conocimiento, si se les ha dado la supervisión o

formación apropiadas respecto al uso del aparato de una manera segura y comprenden los peligros que implica.

- ◆ Este aparato puede ser utilizado por niños con edad de 8 años y superior, si se les ha dado la supervisión o instrucciones apropiadas respecto al uso del aparato de una manera segura y comprenden los peligros que implica.
- ◆ La limpieza y el mantenimiento a realizar por el usuario no deben realizarlos los niños a menos que sean mayores de 8 años y estén supervisados.
- ◆ Mantener el aparato y su conexión de red fuera del alcance de los niños menores de 8 años.
- ◆ Este aparato no es un juguete. Los niños deben estar bajo vigilancia para asegurar que no jueguen con el aparato.
- ◆ No sumergir el aparato en agua u otro líquido, ni ponerlo bajo el grifo.
- ◆ Si la conexión red está dañada, debe ser substituida, llevar el aparato a un Servicio de Asistencia Técnica autorizado. Con el fin de evitar un peligro, no intente desmontarlo o repararlo por sí mismo.
- ◆ Antes de conectar el aparato a la red, verificar que el voltaje indicado

## en la placa de características coincide con el voltaje de red.

- ◆ Conectar el aparato a una base de toma de corriente provista de toma de tierra y que soporte como mínimo 10 amperios.
- ◆ La clavija del aparato debe coincidir con la base eléctrica de la toma de corriente. Nunca modificar la clavija. No usar adaptadores de clavija.
- ◆ No forzar el cable eléctrico de conexión. Nunca usar el cable eléctrico para levantar, transportar o desenchufar el aparato.
- ◆ No enrollar el cable eléctrico de conexión alrededor del aparato.
- ◆ No dejar que el cable eléctrico de conexión quede atrapado o arrugado.
- ◆ No dejar que el cable eléctrico de conexión quede en contacto con las superficies calientes del aparato.
- ◆ Verificar el estado del cable eléctrico de conexión. Los cables dañados o enredados aumentan el riesgo de choque eléctrico.
- ◆ No tocar la clavija de conexión con las manos mojadas.
- ◆ No utilizar el aparato con el cable eléctrico o la clavija dañada.
- ◆ Si alguna de las envoltentes del aparato se rompe, desconectar inmediatamente el aparato de la red para evitar la posibilidad de sufrir un choque eléctrico.
- ◆ No utilizar el aparato si ha caído, si hay señales visibles de daños, o si existe fuga.
- ◆ No colocar el aparato sobre superficies calientes tales como placas de cocción, quemadores de gas, hornos o similares.
- ◆ El aparato debe utilizarse y colocarse sobre una superficie plana y estable.
- ◆ Este aparato no es adecuado para uso en exteriores.
- ◆ El cable de alimentación debe ser examinado regularmente en busca de signos de daño, y si está dañado, el aparato no tiene que usarse.
- ◆ No usar el aparato, en el caso de personas insensibles al calor (ya que el aparato tiene superficies calefactadas).
- ◆ No tocar las partes calefactadas del aparato, ya que pueden provocar quemaduras.

### Utilización y cuidados:

- ◆ Antes de cada uso, desenrollar completamente el cable de alimentación del aparato.
- ◆ No usar el aparato sin su/s filtro/s correctamente colocados.
- ◆ No poner el aparato en marcha sin agua.

- ◆ No usar el aparato si su dispositivo de puesta en marcha/paro no funciona.
- ◆ No mover el aparato mientras está en uso.
- ◆ Respetar los niveles MAX y MIN (E).
- ◆ Desenchufar el aparato de la red cuando no se use y antes de realizar cualquier operación de limpieza.
- ◆ Desenchufar el aparato de la red antes de rellenar el depósito de agua.
- ◆ Guardar este aparato fuera del alcance de los niños y/o personas con capacidades físicas, sensoriales o mentales reducidas o falta de experiencia y conocimiento.
- ◆ No guardar el aparato si todavía está caliente.
- ◆ Utilizar el aparato solamente con agua.
- ◆ No dejar nunca el aparato conectado y sin vigilancia. Además ahorrará energía y prolongará la vida del aparato.
- ◆ ADVERTENCIA: No usar el aparato si el cristal está agrietado o roto.

### Servicio:

- ◆ Toda utilización inadecuada, o en desacuerdo con las instrucciones de uso, puede comportar peligro, anulando la garantía y la responsabilidad del fabricante.

## DESCRIPCIÓN

- A Tapa
- B Embudo Portafiltros
- C Filtro Permanente
- D Depósito de agua
- E Nivel de agua
- F Jarra
- G Placa calefactora
- H Botón PROG (Programación)
- I Botón ON/OFF (Marcha/Paro)
- J Botón MIN (Minutos)
- K Botón Hours (Horas)
- K1 Botón Auto
- L Cuchara dosificadora
- M Cable conexión

## MODO DE EMPLEO

### Notas previas al uso:

- ◆ Asegúrese de que ha retirado todo el material de embalaje del producto.



- ◆ Antes de usar el producto por primera vez, es aconsejable utilizarlo sólo con agua.

### Llenado de Agua:

- ◆ Es imprescindible haber llenado previamente el depósito con agua antes de poner el aparato en marcha.
- ◆ Abrir la tapa (A).
- ◆ Llenar el depósito (D) con agua fría.
- ◆ Llenar el recipiente respetando el nivel MAX (E) según el número de tazas que desee preparar
- ◆ Cerrar la tapa (A).

### Llenado de Café:

- ◆ Saque el filtro permanente (C) del portafiltros (B).
- ◆ Llenar con café molido el filtro extraíble (C), (deben colocarse de 6-7 gr de café molido por taza de café a preparar).
- ◆ Verificar que el filtro extraíble esté perfectamente colocado en el portafiltros y que la tapa (A) está bien cerrada.
- ◆ Puede utilizar la cuchara dosificadora (L).

## USO

### Antes del primer uso

- ◆ Para asegurar un café excelente desde la primera taza, aconsejamos enjuagar con agua tibia de la siguiente forma:
- ◆ Vierta 1,25 l de agua en el depósito (D).
- ◆ Coloque el Filtro Permanente (C) en el embudo (B), vacío, sin café y cierre la tapa (A) de la cafetera.
- ◆ Coloque la jarra (F) en la placa calefactora (G).
- ◆ Conecte a la red. Se mostrará en la pantalla 12:00.
- ◆ Pulse ON/OFF una vez. El piloto rojo se ilumina indicando máquina está conectada.
- ◆ El agua comenzará a salir en unos segundos.
- ◆ Cuando deje de salir agua, vacíe la jarra, limpie el Filtro permanente (C) y el embudo portafiltros (B).
- ◆ Tiene la máquina lista para hacer café.
- ◆ Si quisiera parar la máquina, pulse ON/OFF y la máquina se parará.

### Para hacer café directamente, sin programarlo

- ◆ Llène el depósito (D) con agua fría según Apartado Llenado de Agua.
- ◆ Agregue café molido según Apartado Llenado de Café.
- ◆ Coloque la Jarra (F) en la placa calefactora.

- ◆ Conecte a la red. Se mostrará en la pantalla 12:00.
- ◆ Pulse el botón ON/OFF una vez. El piloto rojo se iluminará.
- ◆ El café comenzará a salir en unos segundos.
- ◆ La jarra (F) puede retirarse mientras el café se está haciendo. El sistema antigoteo evita que el café se derrame cuando la jarra no está en su posición. Sin embargo, si se mantiene la jarra fuera de su posición durante más de 30 segundos, antes de que toda el agua haya pasado por el filtro, es posible que el filtro desborde.
- ◆ Cuando acabe de hacer café, puede parar la máquina.
- ◆ Si quisiera parar la máquina, pulse ON/OFF y la máquina se parará.
- ◆ Si no, la cafetera pasará automáticamente a Mantener Caliente y al cabo de 40 minutos la cafetera se apagará automáticamente.
- ◆ ADVERTENCIA: No deje la cafetera desatendida mientras hace el café.

### Una vez finalizado el uso del aparato:

- ◆ Parar el aparato.
- ◆ Puede pulsar ON/OFF para parar o puede simplemente dejarla, y la cafetera se apagará automáticamente al cabo de 40 minutos.
- ◆ Desenchufar el aparato de la red eléctrica.
- ◆ Limpiar el aparato.

## INSTRUCCIONES PROGRAMACIÓN

### Funciones de visualización:

- ◆ Pantalla de cuatro dígitos para 24 horas, que indica hora actual y hora programada.
- ◆ Led rojo que indica que el aparato está calentando.
- ◆ Led verde indica que el aparato está en espera del temporizador.
- ◆ Cuando el enchufe esté enchufado en la toma de corriente y ambos Led estén apagados, la pantalla mostrará o la hora actual o la hora preestablecida.

### Pulsadores

- ◆ Botón "ON/OFF": Si presiona el botón "ON/OFF", el aparato comenzará a preparar café.
- ◆ El aparato se apagará automáticamente después de 40 minutos y después la pantalla mostrará la hora actual.
- ◆ Presione este botón cuando el led verde esté encendido, y desee cancelar la hora de inicio programada.

- ◆ **Botón "AUTO":** es el interruptor para puesta en marcha automática.
- ◆ **Botón "PROG":** Para programar el temporizador, debe presionar el botón "PROG" una vez para comenzar a configurar la hora requerida.
- ◆ Luego presionar nuevamente el "PROG" para cambiar el aparato a condición de espera (indicado por led verde encendido).
- ◆ Presionando "AUTO" cancelará el programa del temporizador preestablecido.

## Configuración del programa "PROG"

### 1. Configuración de la hora actual:

- ◆ Conecte a la red y el sistema mostrará 12:00, parpadeando.
- ◆ Presione y mantenga presionado el botón "PROG" durante 3 segundos, en la pantalla aparecerá "SET TIME" en esquina superior izquierda.
- ◆ Presione "HR" para configurar la hora.
- ◆ Presione "MIN" para configurar los minutos.
- ◆ Presione y mantenga presionado el botón "PROG" nuevamente por 3 segundos después de finalizar el ajuste de la hora. Si no, el tiempo preestablecido se cancelará después de 10 segundos.
- ◆ Si desenchufa el dispositivo, se cancelará la hora preestablecida y se requerirá reiniciar después de enchufar el dispositivo en el siguiente uso.

### 2. Configuración del temporizador:

- ◆ Presione y mantenga presionado el botón "PROG" (2 veces) durante 0,5 segundos para entrar en la función de configuración.
- ◆ Aparecerá la palabra "SET TIMER" parpadeando en la esquina superior derecha.
- ◆ Presione el botón "HR" para configurar las horas y presione "MIN" para ajustar los minutos.
- ◆ Presione y mantenga presionado el botón "PROG" durante 0,5 segundos para confirmar.
- ◆ Presione el botón "AUTO" para cambiar el aparato a la condición de espera del temporizador (el Led verde estará encendido).
- ◆ Presione nuevamente el botón "AUTO" para apagar la condición de espera. Reanude la condición de espera presionando nuevamente el botón "AUTO".
- ◆ Mantenga presionado el botón "PROG" durante 0.5 segundos para verificar la hora preestablecida del temporizador.
- ◆ Presione "PROG" nuevamente para confirmar y la pantalla volverá a la hora actual.

- ◆ Presione "ON/OFF" en cualquier momento para encender el aparato y se encenderá el led rojo.
- ◆ El dispositivo comenzará a funcionar a la hora preestablecida (el led rojo estará encendido). El aparato se apagará automáticamente después de 2 horas y la pantalla LCD mostrará el tiempo actual.
- ◆ Rango de tiempo ajustable: 23 horas 59 minutos.
- ◆ Botón de hora "HR": este botón sólo se utilizará para ajuste de hora. Mantenga presionado este botón durante 0.5 segundos por cada aumento de hora. Mantener este botón hará que la configuración de la hora se ejecute rápidamente.
- ◆ Botón de minuto "MIN": igual que el ajuste "HR".
- ◆ **ADVERTENCIA:** No deje la cafetera desatendida mientras hace el café.

## Una vez finalizado el uso del aparato:

- ◆ Parar el aparato.
- ◆ Puede pulsar ON/OFF para parar o puede simplemente dejarla, y la cafetera se apagará automáticamente al cabo de 40 minutos.
- ◆ Desenchufar el aparato de la red eléctrica.
- ◆ Limpiar el aparato.

## LIMPIEZA

- ◆ Desenchufar el aparato de la red y dejarlo enfriar antes de iniciar cualquier operación de limpieza.
- ◆ Limpiar el aparato con un paño húmedo impregnado con unas gotas de detergente y secarlo después.
- ◆ No utilizar disolventes, ni productos con un factor pH ácido o básico como la lejía, ni productos abrasivos, para la limpieza del aparato.
- ◆ Si el aparato no se mantiene en buen estado de limpieza, su superficie puede degradarse y afectar de forma inexorable la duración de la vida del aparato y conducir a una situación peligrosa.
- ◆ Para limpiar el filtro permanente, vaciarlo y enjuagarlo con agua corriente
- ◆ Las siguientes piezas son aptas para su limpieza en agua caliente jabonosa o en el lavavajillas (usando un programa suave de lavado):
  - Jarra.
- ◆ A continuación, seque todas las piezas antes de su montaje y guardado.

## Tratamiento de las incrustaciones calcáreas:

- ◆ Para un perfecto funcionamiento del aparato, éste

deberá estar libre de incrustaciones de cal o magnesio, originadas por el uso de aguas de alta dureza.

- ◆ Para evitar este tipo de problema se recomienda el uso de aguas de baja mineralización calcárea o magnésica.
- ◆ En todo caso, si no es posible el uso del tipo de agua recomendado anteriormente, deberá proceder periódicamente a un tratamiento de descalcificación del aparato, con una periodicidad de:
  - Cada 6 semanas si el agua es "muy dura".
  - Cada 12 semanas si el agua es "dura".
  - Si el tiempo necesario para hacer una jarra de café aumenta considerablemente
- ◆ Para ello deberá usar un producto antical específico para este tipo de aparato.
- ◆ No se recomiendan soluciones caseras, tal como el uso de vinagre, en los tratamientos de descalcificación del aparato.

## ANOMALÍAS Y REPARACIÓN

- ◆ En caso de avería llevar el aparato a un Servicio de Asistencia Técnica autorizado. No intente desmontarlo o repararlo ya que puede existir peligro.

**Para las versiones EU del producto y/o en el caso de que en su país aplique:**

### Ecología y reciclabilidad del producto

- ◆ Los materiales que constituyen el envase de este aparato, están integrados en un sistema de recogida, clasificación y reciclado de los mismos. Si desea deshacerse de ellos, puede utilizar los contenedores públicos apropiados para cada tipo de material.
- ◆ El producto está exento de concentraciones de sustancias que se puedan considerar dañinas para el medio ambiente.



Este símbolo significa que si desea deshacerse del producto, una vez transcurrida la vida del mismo, debe depositarlo por los medios adecuados a manos de un gestor de residuos autorizado para la recogida selectiva de Residuos de Aparatos Eléctricos y Electrónicos (RAEE).

Este aparato cumple con la Directiva 2014/35/EU de Baja Tensión, con la Directiva 2014/30/EU de Compatibilidad Electromagnética, con la Directiva 2011/65/EU sobre restricciones a la utilización de determinadas sustancias peligrosas en aparatos eléctricos y electrónicos y con

la Directiva 2009/125/EC sobre los requisitos de diseño ecológico aplicable a los productos

### GARANTÍA Y ASISTENCIA TÉCNICA

Este producto goza del reconocimiento y protección de la garantía legal de acuerdo con la legislación vigente. Para hacer valer sus derechos o intereses, debe acudir a cualquiera de nuestros servicios oficiales de asistencia técnica. Puede encontrar el más cercano accediendo al siguiente enlace web: <http://www.2helpu.com/>

También puede solicitar información relacionada poniéndose en contacto con nosotros (consulte la última página del manual).

Puede descargar este manual de instrucciones y sus actualizaciones en <http://www.2helpu.com/>

## Máquina de Café BXCO1000E

### Caro cliente:

Obrigado por ter adquirido um eletrodoméstico da marca Black+Decker.

A sua tecnologia, design e funcionalidade, aliados às mais rigorosas normas de qualidade, garantir-lhe-ão uma total satisfação durante muito tempo.

- ◆ Leia atentamente este manual de instruções antes de ligar o aparelho e guarde-o para consultas futuras. A não observância e cumprimento destas instruções pode resultar em acidente.

## CONSELHOS E ADVERTÊNCIAS DE SEGURANÇA

- ◆ Este aparelho foi concebido exclusivamente para uso doméstico, não para uso profissional ou industrial. Não foi projetado para ser utilizado por hóspedes de estabelecimentos de alojamento do tipo “bed and breakfast”, hotéis, motéis e outros tipos de ambientes residenciais, incluindo casas rurais ou áreas de descanso para o pessoal de lojas, escritórios e outros ambientes de trabalho.
- ◆ Antes da primeira utilização, limpe todas as partes do aparelho que possam estar em contacto com os alimentos, procedendo como se indica no capítulo de limpeza.
- ◆ Este aparelho pode ser utilizado por pessoas com incapacidades físicas, sensoriais ou mentais, ou por pessoas inexperientes, desde que o façam sob supervisão ou tenham re-

cebido formação sobre a utilização segura do aparelho e compreendam os perigos que este acarreta.

- ◆ Este aparelho pode ser utilizado por pessoas não familiarizadas com a sua utilização, pessoas incapacitadas ou crianças a partir dos 8 anos, desde que o façam sob supervisão ou tenham recebido formação sobre a utilização segura do aparelho e compreendam os perigos que este acarreta.
- ◆ As crianças não devem realizar operações de limpeza ou manutenção do aparelho, a menos que sejam maiores de 8 anos e se encontrem sob a supervisão de um adulto.
- ◆ Guarde o aparelho fora do alcance de crianças menores de 8 anos.
- ◆ Este aparelho não é um brinquedo. As crianças devem ser vigiadas para garantir que não brincam com o aparelho.
- ◆ Nunca mergulhe o aparelho dentro de água ou em qualquer outro líquido, nem o coloque debaixo da torneira.
- ◆ Se a ligação à corrente estiver danificada, deverá ser substituída. Leve o aparelho a um Serviço de Assistência Técnica autorizado. A fim de evitar o perigo, não tente desmontá-lo ou repará-lo sozinho.

◆ **Antes de ligar o aparelho à corrente, verifique se a tensão indicada na placa de características corresponde à tensão da rede.**

- ◆ Ligue o aparelho a uma tomada com ligação à terra e com capacidade mínima de 10 amperes.
- ◆ A ficha do aparelho deve coincidir com a tomada de corrente elétrica. Nunca modifique a ficha. Não use adaptadores de ficha.
- ◆ Não force o cabo elétrico. Nunca utilize o cabo de alimentação para levantar, transportar ou desligar o aparelho da corrente.
- ◆ Não enrole o cabo no aparelho.
- ◆ Não deixe que o cabo elétrico fique preso ou dobrado.
- ◆ Evite que o cabo entre em contacto com as superfícies quentes do aparelho.
- ◆ Verifique o estado do cabo de elétrico. Os cabos danificados ou entrelaçados aumentam o risco de choque elétrico.
- ◆ Não toque na ficha de ligação com as mãos molhadas.
- ◆ Não utilize o aparelho se tiver o cabo elétrico ou a ficha danificados.
- ◆ Se algum dos revestimentos do aparelho se partir, desligue imediatamente o aparelho da corrente para evitar a possibilidade de sofrer um choque elétrico.
- ◆ Não utilize o aparelho se este caiu e se existirem sinais visíveis de danos ou de fuga.
- ◆ Não coloque o aparelho em cima de superfícies quentes tais como placas elétricas, queimadores a gás, fornos, etc.
- ◆ O aparelho deve ser utilizado e colocado sobre uma superfície plana e estável.
- ◆ Este aparelho não deve ser utilizado no exterior.
- ◆ O cabo de alimentação deve ser examinado regularmente quanto a danos e, se estiver danificado, o aparelho não deve ser utilizado.
- ◆ As pessoas insensíveis ao calor não devem utilizar o aparelho (já que este tem superfícies aquecidas).
- ◆ Não toque nas partes quentes do aparelho, uma vez que podem provocar queimaduras graves.

**Utilização e cuidados:**

- ◆ Antes de cada utilização, desenrole completamente o cabo de alimentação do aparelho.
- ◆ Não utilize o aparelho se o(s) seu(s) filtro(s) não estiver(em) correctamente colocados.
- ◆ Não coloque o aparelho em funcionamento sem água.

- ◆ Não utilize o aparelho se o dispositivo de ligar/desligar não funcionar.
- ◆ Não desloque o aparelho enquanto estiver em funcionamento.
- ◆ Respeite os níveis MÁXIMO e MÍNIMO (E).
- ◆ Desligue o aparelho da corrente quando não estiver a ser utilizado e antes de iniciar qualquer operação de limpeza.
- ◆ Desligue o aparelho da corrente antes de encher o depósito de água.
- ◆ Guarde o aparelho fora do alcance das crianças e de pessoas com capacidades físicas, sensoriais ou mentais reduzidas, ou com falta de experiência e conhecimento.
- ◆ Não guarde o aparelho se ainda estiver quente.
- ◆ Utilize o aparelho apenas com água.
- ◆ Nunca deixe o aparelho ligado e sem vigilância. Além disso, poupará energia e prolongará a vida do aparelho.
- ◆ ADVERTÊNCIA: Não utilize o aparelho se o vidro apresentar fissuras ou danos.

**Serviço:**

- ◆ Qualquer utilização inadequada ou em desacordo com as instruções de utilização pode ser perigosa e anula a garantia e a responsabilidade do fabricante.

**DESCRIÇÃO**

- A Tampa
- B Suporte do filtro
- C Filtro permanente
- D Depósito de água
- E Nível de água
- F Jarro
- G Placa de aquecimento
- H Botão PROG (Programação)
- I Botão ON/OFF (Ligar/Desligar)
- J Botão MIN (Minutos)
- K Botão Hours (Horas)
- K1 Botão Auto
- L Colher de medida
- M Cabo de ligação

## MODO DE UTILIZAÇÃO

### Notas para antes da utilização:

- ◆ Certifique-se de que retirou todo o material de embalagem do produto.
- ◆ Antes de usar o produto pela primeira vez, é aconselhável utilizá-lo só com água.

### Enchimento com Água:

- ◆ É imprescindível encher previamente o depósito com água antes de colocar o aparelho em funcionamento.
- ◆ Abra a tampa (A).
- ◆ Encher o depósito (D) com água fria.
- ◆ Encha o recipiente respeitando o nível MAX (E) de acordo com o número de chávenas que quer preparar.
- ◆ Feche a tampa (A).

### Enchimento com Café:

- ◆ Retire o filtro permanente (C) do suporte do filtro (B).
- ◆ Encha o filtro amovível (C) com café moído (deve colocar-se 6-7 g de café moído por chávena de café a preparar).
- ◆ Verifique se o filtro amovível está bem colocado no suporte do filtro e que a tampa (A) está bem fechada.
- ◆ Pode utilizar a colher de medida (L).

## UTILIZAÇÃO

### Antes da primeira utilização

- ◆ Para assegurar um café de excelência desde a primeira chávena, aconselhamos enxaguar com água morna da seguinte forma:
  - ◆ Verta 1,25L de água no depósito (D).
  - ◆ Coloque o Filtro Permanente (C) no suporte (B), vazio sem café e feche a tampa (A) da máquina de café.
  - ◆ Coloque o jarro (F) na placa de aquecimento (G).
  - ◆ Ligue a máquina à corrente. Irá aparecer 12:00 no visor.
  - ◆ Prima uma vez o botão ON/OFF . O indicador luminoso vermelho acende-se indicando que a máquina está ligada.
  - ◆ A água começará a sair ao fim de uns segundos.
  - ◆ Quando deixar de sair água, esvazie o jarro, limpe o filtro permanente (C) e o suporte do filtro (B).
  - ◆ A máquina está pronta para fazer café.
  - ◆ Se quiser parar a máquina, prima ON/OFF e a máquina desliga-se.

### Para fazer café diretamente, sem programação

- ◆ Encha o depósito (D) com água fria de acordo com a secção "Enchimento com Água".
- ◆ Adicione café moído de acordo com a secção "Enchimento com Café".
- ◆ Coloque o jarro (F) na placa de aquecimento.
- ◆ Ligue a máquina à corrente. Irá aparecer 12:00 no visor.
- ◆ Prima uma vez o botão ON/OFF. O indicador luminoso vermelho acende-se.
- ◆ O café começará a sair ao fim de uns segundos.
- ◆ Pode-se retirar o jarro (F) enquanto o café está a fazer. O sistema anti-gota evita que o café se derrame quando o jarro não está no seu lugar. No entanto, se o jarro for mantido fora do seu lugar durante mais de 30 segundos, antes de toda a água ter passado pelo filtro, é possível que o filtro entorne café.
- ◆ Quando o café acabar de fazer, pode-se desligar a máquina.
- ◆ Se quiser parar a máquina, prima ON/OFF e a máquina desliga-se.
- ◆ Caso contrário, a máquina de café passará automaticamente para o modo Manter Quente e, ao fim de 40 minutos, a máquina desliga-se automaticamente.
- ◆ ADVERTÊNCIA: Não deixe a máquina de café sozinha enquanto está a fazer café.

### Uma vez concluída a utilização do aparelho:

- ◆ Desligue o aparelho.
- ◆ Pode premir ON/OFF para desligar ou pode simplesmente deixar que a máquina de café se desligue automaticamente ao fim de 40 minutos.
- ◆ Desligue o aparelho da corrente elétrica.
- ◆ Limpe o aparelho.

## INSTRUÇÕES DE PROGRAMAÇÃO

### Funções de visualização:

- ◆ Ecrã com quatro dígitos para 24 horas, que indica hora atual e a hora programada.
- ◆ Led vermelho que indica que o aparelho está a aquecer
- ◆ Led verde que indica que o aparelho está em modo de espera do temporizador.
- ◆ Quando a ficha está ligada à corrente e ambos os leds estão apagados, o visor mostra a hora atual ou a hora previamente configurada.

## Botões

- ◆ Botão “ON/OFF”: Se premir o botão “ON/OFF”, o aparelho começa a preparar o café.
- ◆ O aparelho desliga-se automaticamente após 40 minutos e o visor mostrará a hora atual.
- ◆ Prima este botão quando o led verde está aceso e pretenda cancelar a hora de início programada.
- ◆ Botão “AUTO”: é o botão de funcionamento automático.
- ◆ Botão “PROG”: Para programar o temporizador, deve premir o botão “PROG” uma vez para começar a configurar a hora pretendida.
- ◆ Em seguida, prima novamente “PROG” para passar o aparelho para modo de espera (indicado pelo led verde aceso).
- ◆ Se premir “AUTO” irá cancelar o programa do temporizador previamente programado.

## Configuração do programa “PROG”

### 1. Configuração da hora atual:

- ◆ Ligue o aparelho à corrente e o sistema irá mostrar 12:00, piscando.
- ◆ Prima o botão “PROG” durante 3 segundos, “SET TIME” aparecerá no visor no canto superior esquerdo.
- ◆ Prima “HR” para configurar a hora.
- ◆ Prima “MIN” para configurar os minutos.
- ◆ Prima novamente o botão “PROG” durante 3 segundos após finalizar o ajuste da hora. Caso contrário, a hora configurada é cancelada ao fim de 10 segundos.
- ◆ Se desligar o aparelho, a hora programada é cancelada e será necessário tornar a programá-la após se ligar o aparelho.

### 2. Configuração do temporizador:

- ◆ Prima o botão “PROG” (duas vezes) durante 0,5 segundos para entrar na função de configuração.
- ◆ Aparece a palavra “SET TIMER” a piscar no canto superior direito.
- ◆ Prima o botão “HR” para configurar as horas e prima “MIN” para ajustar os minutos.
- ◆ Prima o botão “PROG” durante 0,5 segundos para confirmar.
- ◆ Prima o botão “AUTO” para passar o aparelho para modo de espera do temporizador (o led verde acende-se).
- ◆ Prima novamente o botão “AUTO” para apagar o modo de espera. Retorne o modo de espera premindo novamente o botão “AUTO”.

- ◆ Prima o botão “PROG” durante 0.5 segundos para verificar a hora programada no temporizador.
- ◆ Prima novamente “PROG” para confirmar e o visor torna a mostrar a hora atual.
- ◆ Prima “ON/OFF” a qualquer momento para ligar o aparelho e o led vermelho acende-se.
- ◆ O aparelho começa a funcionar à hora programada (o led vermelho acende-se). O aparelho desliga-se automaticamente após 2 horas e o visor LCD mostrará a hora atual.
- ◆ Intervalo de tempo ajustável: 23 horas; 59 minutos.
- ◆ Botão das horas “HR”: este botão é apenas utilizado para ajustar as horas. Prima este botão durante 0,5 segundos por cada aumento de 1 hora. Manter este botão premido faz com que o ajuste da hora seja executado em modo rápido.
- ◆ Botão dos minutos “MIN”: o ajuste é igual ao do botão “HR”.
- ◆ ADVERTÊNCIA: Não deixe a máquina de café sozinha enquanto está a fazer café.

## Uma vez concluída a utilização do aparelho:

- ◆ Desligue o aparelho.
- ◆ Pode premir ON/OFF para desligar ou pode simplesmente deixar que a máquina de café se desligue automaticamente ao fim de 40 minutos.
- ◆ Desligue o aparelho da corrente elétrica.
- ◆ Limpe o aparelho.

## LIMPEZA

- ◆ Desligue o aparelho da corrente e deixe-o arrefecer antes de iniciar qualquer operação de limpeza.
- ◆ Limpe o aparelho com um pano húmido com algumas gotas de detergente e seque-o de seguida.
- ◆ Não utilize solventes, produtos com um fator pH ácido ou básico como a lixívia, nem produtos abrasivos para a limpeza do aparelho.
- ◆ Se o aparelho não for mantido limpo, a sua superfície pode degradar-se e afetar de forma irreversível a duração da vida do aparelho e conduzir a uma situação de perigo.
- ◆ Para limpar o filtro permanente, esvazie-o e passe-o por água corrente
- ◆ As seguintes peças podem ser lavadas em água quente com sabão ou na máquina de lavar louça (com um programa suave de lavagem):
  - Jarro.

- ◆ Em seguida, seque todas as peças antes de montá-las e guardá-las.

### Tratamento das incrustações calcárias:

- ◆ Para um perfeito funcionamento do aparelho, este deverá estar livre de incrustações de calcário ou magnésio, originadas pela utilização de água de elevada dureza.
- ◆ Para evitar este tipo de problema recomenda-se a utilização de água com baixa mineralização calcária ou magnésica.
- ◆ Em todo o caso, se não for possível a utilização do tipo de água recomendado anteriormente deverá proceder periodicamente a um tratamento de descalcificação do aparelho, com uma periodicidade de:
  - A cada 6 semanas se a água for "muito dura".
  - A cada 12 semanas se a água for "dura".
  - Quando o tempo necessário para fazer um jarro de café aumenta consideravelmente
- ◆ Para a descalcificação deve usar um produto anticalcário específico para este tipo de aparelho.
- ◆ Não se recomendam soluções caseiras, como o uso de vinagre, nos tratamentos de descalcificação do aparelho.

## ANOMALIAS E REPARAÇÃO

- ◆ Em caso de avaria leve o aparelho a um Serviço de Assistência Técnica autorizado. Não tente desmontar ou reparar o aparelho, já que tal acarreta perigos.

### Para as versões EU do produto e/ou caso aplicável no seu país:

#### Ecologia e reciclagem e do produto

- ◆ Os materiais que constituem a embalagem deste aparelho estão integrados num sistema de recolha, classificação e reciclagem. Se desejar eliminá-los, utilize os contentores de reciclagem colocados à disposição para cada tipo de material.
- ◆ O produto está isento de concentrações de substâncias que possam ser consideradas nocivas para o ambiente.



Este símbolo significa que se desejar desfazer-se do produto depois de terminada a sua vida útil, deve entregá-lo através dos meios adequados ao cuidado de um gestor de resíduos autorizado para a recolha seletiva de Resíduos de Equipamentos Elétricos e

Eletrónicos (REEE).

Este aparelho cumpre a Diretiva 2014/35/EC de Baixa Tensão, a Diretiva 2014/30/EC de Compatibilidade Eletromagnética a Diretiva 2011/65/UE sobre restrições à utilização de determinadas substâncias perigosas em aparelhos elétricos e eletrónicos e a Diretiva 2009/125/CE sobre os requisitos de design ecológico aplicável aos produtos.

### GARANTIA E ASSISTÊNCIA TÉCNICA

Este produto possui reconhecimento e proteção da garantia legal em conformidade com a legislação em vigor.

Para fazer valer os seus direitos ou interesses, deve recorrer sempre aos nossos serviços oficiais de assistência técnica.

Poderá encontrar o mais próximo de si através do seguinte website: <http://www.2helpu.com/>

Também pode solicitar informações relacionadas, pondo-se em contacto connosco (consulte a última página do manual).

Podem fazer o download deste manual de instruções e suas atualizações em <http://www.2helpu.com>



## Koffiemachine BXCO1000E

### Geachte klant:

We danken u voor de aankoop van een product van het merk Black+Decker.

De technologie, het ontwerp en de functionaliteit van dit product, dat voldoet aan de meest strikte kwaliteitseisen, staan garant voor langdurige tevredenheid.

- ◆ Neem deze gebruiksaanwijzing aandachtig door voordat u het apparaat in gebruik neemt en bewaar haar voor toekomstig gebruik. Het niet opvolgen en naleven van deze instructies kan een ongeluk tot gevolg hebben.

## VEILIGHEIDSADVIEZEN EN WAARSCHUWINGEN

- ◆ Dit apparaat is alleen bedoeld voor huishoudelijk gebruik, niet voor professioneel of industrieel gebruik. Het is niet bedoeld voor gebruik in het hotelwezen, zoals bed and breakfast instellingen, hotels, motels, of residenties, noch in vakantiehuizen, keukenvoorzieningen voor winkel-personeel, kantoren, of in andere professionele voorzieningen.
- ◆ Voor het eerste gebruik moet u alle delen van het apparaat die met voedingsmiddelen in aanraking kunnen komen schoonmaken, zoals aangegeven in het hoofdstuk reiniging.
- ◆ Dit apparaat mag gebruikt worden door personen met verminderde, fysieke, zintuiglijke of mentale capaciteiten, of personen met weinig ervaring als ze onder toezicht staan of passende training hebben ontvangen om het apparaat veilig te kunnen hanteren en de risico's kennen.
- ◆ Dit toestel mag, onder toezicht, door onervaren personen, personen met een beperking of kinderen vanaf 8 jaar gebruikt worden mits zij de nodige informatie hebben gekregen om het toestel op een veilige manier te kunnen gebruiken en de gevaren kennen.
- ◆ De door de gebruiker te verrichten reiniging en onderhoud mag niet door kinderen worden uitgevoerd, tenzij ze ouder dan 8 jaar zijn en onder toezicht staan.
- ◆ Houd het apparaat en de aansluiting op het lichtnet altijd buiten het bereik van kinderen jonger dan 8 jaar.
- ◆ Dit apparaat is geen speelgoed. Houd toezicht op kinderen om er zeker van te zijn dat ze niet met het apparaat spelen.
- ◆ Dompel het apparaat niet onder in water of een andere vloeistof en houd het niet onder de kraan.
- ◆ Als het netsnoer beschadigd is, moet het worden vervangen. Breng het apparaat naar een erkende technische service. Probeer het apparaat niet zelf te demonteren of repareren om risico's te vermijden.
- ◆ Controleer dat de spanningsgegevens op het typeplaatje overeen-

komen met die van het stroomnet  
alvorens het apparaat erop aan te  
sluiten.

- ◆ Sluit het toestel aan op een stopcontact met randaarde en een capaciteit van tenminste 10 Ampère.
- ◆ De stekker van het apparaat moet geschikt zijn voor het stopcontact. Wijzig de stekker niet. Gebruik geen adapters.
- ◆ Forceer de elektriciteitskabel niet. Gebruik de kabel nooit om het apparaat op te tillen, te transporteren of om de stekker uit het stopcontact te trekken.
- ◆ Wikkel de elektriciteitskabel niet om het apparaat.
- ◆ Zorg ervoor dat de elektriciteitskabel niet bekneld of geknikt wordt.
- ◆ Zorg ervoor dat de elektriciteitskabel niet in contact komt met de hete oppervlakken van het apparaat.
- ◆ Controleer de staat van de elektriciteitskabel. Beschadigde kabels of kabels die in de war zijn vergroten het risico van elektrische schokken.
- ◆ Raak de stekker niet met natte handen aan.
- ◆ Gebruik het apparaat niet wanneer de elektriciteitskabel of de stekker beschadigd is.
- ◆ Als een deel van de behuizing beschadigd wordt, moet u de stekker van het apparaat onmiddellijk uit het stopcontact trekken om een elektrische schok te voorkomen.
- ◆ Gebruik het apparaat niet als het is gevallen, wanneer er zichtbare tekenen van schade zijn of wanneer het lekt.
- ◆ Plaats het apparaat niet op hete oppervlakken zoals kookplaten, gasbranders, ovens of dergelijke.
- ◆ Plaats het apparaat voor gebruik op een vlak en stabiel oppervlak.
- ◆ Dit apparaat is niet geschikt voor gebruik buitenshuis.
- ◆ Controleer regelmatig dat het snoer niet beschadigd is. Gebruik het apparaat niet als het snoer beschadigd is.
- ◆ Personen die geen warmte voelen moeten het apparaat niet gebruiken (aangezien het apparaat oppervlakken heeft die heet worden).
- ◆ Raak de verhitte delen van het toestel niet aan, aangezien daardoor ernstige brandwonden kunnen ontstaan.

### Gebruik en onderhoud:

- ◆ Rol voor gebruik de voedingskabel van het apparaat volledig af.
- ◆ Gebruik het apparaat niet wanneer de filter(s) niet correct geplaatst zijn.
- ◆ Zet het apparaat niet aan zonder water.
- ◆ Gebruik het apparaat niet als de aan-/uitknop niet werkt.

- ◆ Verplaats het apparaat niet terwijl het in gebruik is.
- ◆ Respecteer het MAXIMUM- en MINIMUM-niveau (E).
- ◆ Trek de stekker uit het stopcontact wanneer het apparaat niet in gebruik is en alvorens het te reinigen.
- ◆ Haal de stekker uit het stopcontact alvorens het waterreservoir te vullen.
- ◆ Houd dit apparaat buiten bereik van kinderen en/of personen met lichamelijke, zintuiglijke of geestelijke beperkingen, of met een gebrek aan ervaring en kennis.
- ◆ Berg het apparaat niet op als het nog warm is.
- ◆ Het apparaat uitsluitend met water gebruiken.
- ◆ Laat het apparaat nooit zonder toezicht aan staan. U bespaart hierdoor energie en verlengt tevens de levensduur van het apparaat.
- ◆ WAARSCHUWING Gebruik het apparaat niet als het glas gebarsten of kapot is.

### Reparaties:

- ◆ Onjuist gebruik of een gebruik dat niet overeenstemt met de gebruiksaanwijzing kan gevaar inhouden en doet de garantie en de aansprakelijkheid van de fabrikant teniet.

## BESCHRIJVING

- A Deksel
- B Filterhouder
- C Permanent filter
- D Waterreservoir
- E Waterpeil
- F Kan
- G Warmhoudplaatje
- H Knop PROG (Programmeren)
- I Knop ON/OFF (aan/uit)
- J Knop MIN (Minuten)
- K Knop Hours (Uren)
- K1 Knop Auto
- L Maatlepel
- M Netsnoer

## GEBRUIKSAANWIJZING

### Opmerkingen voorafgaand aan gebruik:

- ◆ Controleer dat al het verpakkingsmateriaal van het product verwijderd is.
- ◆ Bij het eerste gebruik van het product is het raadzaam

om het apparaat eenmaal alleen met water te laten werken.

### Vullen met water:

- ◆ Het is noodzakelijk het reservoir met water te vullen alvorens het apparaat aan te zetten.
- ◆ Open het deksel (A).
- ◆ Vul het reservoir met koud water (D).
- ◆ Vul het reservoir tot onder het MAX (E) niveau, al naar gelang het aantal koppen dat u wilt zetten.
- ◆ Sluit het deksel (A).

### Vullen met koffie:

- ◆ Haal het permanente filter (C) uit de filterhouder (B).
- ◆ Vul het uitneembare filter (C) met gemalen koffie (ongeveer 6-7 gr gemalen koffie per kop).
- ◆ Controleer dat het uitneembare filter goed in de filterhouder zit en dat het deksel (A) goed gesloten is.
- ◆ U kunt de maatlepel gebruiken (L).

## GEBRUIK

### Voorafgaand aan het eerste gebruik

- ◆ Om vanaf het begin heerlijke koffie te zetten, raden wij aan als volgt te spoelen met lauw water:
- ◆ Giet 1,25 L water in het reservoir (D).
- ◆ Plaats het Permanente Filter (C) leeg en zonder koffie in de filterhouder (B) en sluit het deksel (A) van de koffiemachine.
- ◆ Plaats de kan (F) op het warmhoudplaatje (G).
- ◆ Stek de stekker in het stopcontact. Het scherm toont 12:00.
- ◆ Druk eenmaal op ON/OFF. Het rode controlelampje gaat branden wanneer het apparaat aan staat.
- ◆ Binnen enkele seconden begint het water te lopen.
- ◆ Wanneer het water stopt te lopen, giet de kan leeg, reinig het permanente filter (C) en de filterhouder (B).
- ◆ De machine is nu gereed om koffie te zetten.
- ◆ Druk op ON/OFF om de werking van de machine te onderbreken.

### Meteen koffie zetten, zonder programmering

- ◆ Vul het reservoir (D) met koud water, zoals beschreven in het onderdeel Vullen met water.
- ◆ Doe koffie in het filter zoals beschreven in het onderdeel

Vullen met koffie.

- ◆ Plaats de kan (F) op het warmhoudplaatje.
- ◆ Stek de stekker in het stopcontact. Het scherm toont 12:00.
- ◆ Druk eenmaal op de ON/OFF knop. Het rode controlelampje gaat aan.
- ◆ Binnen enkele seconden begint de koffie te lopen.
- ◆ U kunt de kan (F) verwijderen tijdens het koffiezetten. Het antidruppelsysteem voorkomt dat er koffie wordt gemorst wanneer de kan niet aanwezig is. Desalniettemin kan het filter overlopen wanneer u de kan langer dan 30 seconden weghaalt voordat al het water doorgelopen is.
- ◆ Wanneer de koffie is gezet kunt u het apparaat uitzetten.
- ◆ Druk op ON/OFF om de werking van de machine te onderbreken.
- ◆ Doet u dat niet, dan schakelt de machine automatisch over op Warmhouden en na 40 minuten zal de koffiemachine automatisch uitgaan.
- ◆ WAARSCHUWING Houd toezicht op de koffiemachine terwijl zij loopt.

### Na gebruik van het apparaat:

- ◆ Het apparaat stoppen.
- ◆ U kunt op ON/OFF drukken om het apparaat uit te zetten of u kunt hem aan laten staan. In het laatste geval zal de koffiemachine na 40 minuten automatisch uitgaan.
- ◆ Trek de stekker uit het stopcontact.
- ◆ Reinig het apparaat.

## PROGRAMMEERINSTRUCTIES

### Weergavefuncties:

- ◆ Scherm met vier cijfers voor 24 uur, geeft de huidige en de geprogrammeerde tijd weer.
- ◆ De rode LED geeft aan dat het apparaat aan het opwarmen is.
- ◆ De groene LED geeft aan dat het apparaat aan het wachten tot de timer afloopt.
- ◆ Wanneer de stekker in het stopcontact zit en beide LEDs uit zijn, geeft het scherm de huidige of geprogrammeerde tijd weer.

### Knoppen

- ◆ **“ON/OFF” knop:** Wanneer men op de “ON/OFF” knop drukt, start het apparaat met koffiezetten.
- ◆ Het apparaat gaat na 40 minuten automatisch uit, waarna het scherm de huidige tijd weergeeft.

- ◆ Druk op deze knop wanneer de groene LED aan is en u de geprogrammeerde starttijd wilt annuleren.
- ◆ **Knop "AUTO"**: dit is de knop om het apparaat automatisch te laten starten.
- ◆ **Knop "PROG"**: Druk eenmaal op de "PROG" knop om de timer te programmeren en de gewenste starttijd in te stellen.
- ◆ Druk vervolgens opnieuw op "PROG" om het apparaat in de stand-by stand te zetten (waarbij de groene LED aan is).
- ◆ Druk op "AUTO" om de geprogrammeerde starttijd te annuleren.

## Instelling van het programma "PROG"

### 1. Instelling van de huidige tijd:

- ◆ Steek de stekker in het stopcontact en het systeem toont 12:00, knipperend.
- ◆ Houd de "PROG" druk gedurende 3 seconden ingedrukt; "SET TIME" verschijnt op het scherm in de linkerbovenhoek.
- ◆ Druk op "HR" om het uur in te stellen.
- ◆ Druk op "MIN" om de minuten in te stellen.
- ◆ Houd de knop "PROG" opnieuw gedurende 2 seconden ingedrukt als de tijd juist is ingesteld. Doet u dit niet, dan wordt de ingestelde tijd na 10 seconden geannuleerd.
- ◆ Wanneer u de stekker uit het stopcontact trekt, wordt de ingestelde tijd geannuleerd en moet u deze opnieuw instellen wanneer u de stekker later opnieuw in het stopcontact steekt.

### 2. Instelling van de timer:

- ◆ Houd de knop "PROG" (tweemaal) gedurende 0,5 seconden ingedrukt om te starten met programmeren.
- ◆ De tekst "SET TIMER" knippert in de rechterbovenhoek.
- ◆ Druk op de knop "HR" om het uur in te stellen en druk op "MIN" om de minuten in te stellen.
- ◆ Houd ter bevestiging de knop "PROG" gedurende 0,5 seconden ingedrukt.
- ◆ Druk op de knop "AUTO" om het apparaat in de stand-by stand te zetten totdat de timer afloopt (de groene LED gaat aan).
- ◆ Druk nogmaals op de knop "AUTO" om de stand-by stand te annuleren. Activeer de stand-by stand opnieuw door nogmaals op "AUTO" te drukken.
- ◆ Houd de knop "PROG" gedurende 0,5 seconden ingedrukt om de ingestelde tijd van de timer te controleren.
- ◆ Druk ter bevestiging opnieuw op "PROG", waarna het scherm de huidige tijd weergeeft.

- ◆ Druk op elk gewenst moment op "ON/OFF" om het apparaat aan te zetten, waarna de rode LED oplicht.
- ◆ Het apparaat start op de ingestelde tijd (de rode LED licht op). Het apparaat gaat na 2 uur automatisch uit, waarna het LCD scherm de huidige tijd weergeeft.
- ◆ Instelbaar tijdsbereik: 23 uur 59 minuten.
- ◆ Knop voor uren "HR": de knop wordt alleen gebruikt om het gewenste uur in te stellen. Houd de knop gedurende 0,5 seconden ingedrukt om het ingestelde uur te verhogen. Houd deze knop lang ingedrukt om het uur snel te verhogen.
- ◆ Knop voor minuten "MIN": zie knop "HR".
- ◆ **WAARSCHUWING**: Houd toezicht op de koffiemachine terwijl zij loopt.

## Na gebruik van het apparaat:

- ◆ Het apparaat stoppen.
- ◆ U kunt op ON/OFF drukken om het apparaat uit te zetten of u kunt hem aan laten staan. In het laatste geval zal de koffiemachine na 40 minuten automatisch uitgaan.
- ◆ Trek de stekker uit het stopcontact.
- ◆ Reinig het apparaat.

## REINIGING

- ◆ Trek de stekker uit het stopcontact en laat het apparaat afkoelen alvorens het te reinigen.
- ◆ Maak het apparaat schoon met een vochtige doek met een paar druppels afwasmiddel en droog het daarna goed af.
- ◆ Gebruik geen oplosmiddelen of producten met een zure of basische pH zoals bleekwater, noch schuurmiddelen, om het apparaat schoon te maken.
- ◆ Indien het apparaat niet goed schoongehouden wordt, kan het oppervlak beschadigd en de levensduur van het apparaat verkort worden, en kan er een gevaarlijke situatie ontstaan.
- ◆ Om het permanente filter te reinigen, leeg het en spoel het met kraanwater.
- ◆ De volgende onderdelen mogen met warm zeepsop schoongemaakt worden of in de vaatwasser geplaatst worden (op een zacht wasprogramma):
  - Kan.
- ◆ Droog alle onderdelen goed af alvorens het apparaat opnieuw te monteren en op te bergen.

## Behandeling van kalkaanslag:

- ◆ Voor een perfecte werking van het apparaat moet het vrij zijn van kalkaanslag of magnesiumaanslag, veroorzaakt

door hard water.

- ◆ Om dit soort problemen te vermijden, is het raadzaam om water te gebruiken met een laag kalk- of magnesi-umgehalte.
- ◆ Als het onmogelijk is om het hierboven aanbevolen soort water te gebruiken, moet u in ieder geval periodiek overgaan tot de ontkalking van het apparaat, met een periodiciteit van:
  - Elke 6 weken als het water "zeer hard" is.
  - Elke 12 weken als het water "hard" is.
  - Wanneer de tijd voor het zetten van een kan koffie aanzienlijk toeneemt.
- ◆ Hiervoor dient u een ontkalkingsproduct te gebruiken dat speciaal geschikt is voor dit type apparaat.
- ◆ We raden aan om geen huishoudelijke middelen, zoals azijn, te gebruiken om het apparaat te ontkalken.

## STORINGEN EN REPARATIE

- ◆ Breng het apparaat bij storing naar een erkende Technische Dienst. Probeer het apparaat niet zelf te demonteren of te repareren, want dit kan gevaarlijk zijn.

### Voor EU-versies van het product en/of indien van toepassing in uw land:

#### Ecologie en hergebruik van het product

- ◆ Het verpakkingsmateriaal van dit apparaat is geschikt voor inzameling, classificatie en hergebruik. U kunt dit materiaal wegwerpen in de openbare afvalcontainers die voor de desbetreffende typen materiaal zijn bestemd.
- ◆ Het product bevat geen stoffen in concentraties die als schadelijk voor het milieu beschouwd kunnen worden.



Dit symbool betekent dat u het product aan het eind van zijn levenscyclus moet afgeven aan een erkende afvalverwerker voor de gescheiden verwerking van Afgedankte Elektrische en Elektronische Apparatuur (AEEA).

Dit apparaat voldoet aan de laagspanningsrichtlijn 2014/35/EU, de richtlijn 2014/30/EU met betrekking tot elektromagnetische compatibiliteit, de richtlijn 2011/65/EU met betrekking tot beperkingen in de toepassing van bepaalde gevaarlijke stoffen in elektrische en elektronische apparaten en de richtlijn 2009/125/EG met betrekking tot de eisen inzake het ecologisch ontwerp van energie-gere-lateerde producten.

## GARANTIE EN TECHNISCHE ONDERSTEU- NING

- ◆ Dit product valt onder de legale garantievoorwaarden zoals bepaald in de actuele wetgeving.
  - ◆ Om een beroep te doen op uw rechten of aanspraken kunt u contact opnemen met onze officiële technische service.
  - ◆ U kunt de dichtstbijzijnde technische service vinden op de website: <http://www.2helpu.com/>
  - ◆ Voor verdere informatie kunt u ook contact met ons opnemen (zie de laatste bladzijde van de gebruiksaanwijzing).
- U kunt deze gebruiksaanwijzing en eventuele actualiserin-  
gen ervan downloaden via <http://www.2helpu.com>

## Ekspres de kawy BXCO1000E

### Szanowny Kliencie,

Serdecznie dziękujemy za zdecydowanie się na zakup sprzętu gospodarstwa domowego marki Black+Decker. Jego technologia, forma i funkcjonalność, jak również fakt, że spełnia on wszelkie normy jakości, dostarczy Państwu pełnej satysfakcji przez długi czas.

- ◆ Przeczytać uważnie instrukcję przed uruchomieniem urządzenia i zachować ją w celu późniejszych konsultacji. Niedostosowanie się i nieprzestrzeganie niniejszych instrukcji może doprowadzić do wypadku.

## PORADY I OSTRZEŻENIA DOTYCZĄCE BEZPIECZEŃSTWA

- ◆ Urządzenie to zaprojektowane zostało wyłącznie do użytku domowego, a nie do użytku profesjonalnego czy przemysłowego. Urządzenie jest przeznaczone tylko do użytku domowego. Nie należy używać w celach industrialnych czy profesjonalnych. Nie jest zaprojektowane do użytku w hotelach, motelach, hostelach, biurach, pensjonatach i tym podobnym.
- ◆ Przed pierwszym użyciem należy umyć wszystkie części urządzenia, które mogą mieć kontakt z pokarmami, postępując zgodnie z instrukcją.
- ◆ Urządzenie może być używane przez osoby niezapoznane z tego typu produktem, osoby niepełnosprawne, tylko i wyłącznie pod kontrolą dorosłych zapoznanym z tego typu sprzętem.
- ◆ Urządzenie może być używane przez osoby niezapoznane z tego typu produktem, osoby niepełnosprawne lub dzieci od 8 roku życia, tylko i wyłącznie pod kontrolą dorosłych zapoznanym z tego typu sprzętem.
- ◆ Dzieci powyżej 8 roku życia nie powinny czyścić urządzenia, jeśli nie są pod kontrolą osób dorosłych zapoznanym z sprzętem.
- ◆ Konserwacja urządzenia i podłączenie go do sieci nie mogą być wykonywane przy dzieciach mniejszych niż 8 lat.
- ◆ To urządzenie nie jest zabawką. Dzieci powinny pozostać pod czujną opieką w celu zagwarantowania iż nie bawią się urządzeniem.
- ◆ Nie zanurzać urządzenia w wodzie ni innej cieczy, nie wkładać pod kran.
- ◆ W razie awarii zanieść produkt do autoryzowanego Serwisu Technicznego. Nie próbować rozbierać urządzenia ani go naprawiać, ponieważ może to być niebezpieczne.
- ◆ Przed podłączeniem urządzenia do sieci, sprawdzić czy napięcie wskazane na tabliczce znamionowej odpowiada napięciu sieci.
- ◆ Podłączyć urządzenie do gniazdka z uziemieniem o natężeniu, co najmniej 10 amperów.
- ◆ Wtyczka urządzenia powinna być zgodna z podstawą elektryczną gniazdka. Nigdy nie modyfikować wtyczki. Nie używać przejściówek dla wtyczki.

- ◆ Nie napinać kabla połączeniowego. Nie używać nigdy kabla elektrycznego do podnoszenia, przenoszenia ani wyłączania urządzenia.
- ◆ Nie związać kabla elektrycznego podłączenia wokół urządzenia.
- ◆ Nie pozostawiać, by kabel elektryczny podłączenia został schwytyany lub pomarszczony.
- ◆ Kabel podłączeniowy nie może być w kontakcie z gorącymi powierzchniami urządzenia.
- ◆ Sprawdzać stan elektrycznego kabla połączeń. Uszkodzone czy zaplątane kable zwiększają ryzyko porażenia prądem.
- ◆ Nie dotykać wtyczki mokrymi rękoma.
- ◆ Nie używać urządzenia, gdy kabel elektryczny lub wtyczka jest uszkodzona.
- ◆ Jeśli popęka jakiś element obudowy urządzenia, natychmiast wyłączyć urządzenie z prądu, aby uniknąć porażenia prądem.
- ◆ Nie używać urządzenia, jeśli ono upadło czy kiedy występują widoczne oznaki uszkodzenia, albo jeśli istnieją wycieki.
- ◆ Nie kłaść urządzenia na gorących powierzchniach takich jak płyty grzejne, palniki gazowe piekarniki i podobne urządzenia.
- ◆ Urządzenie powinno być ustawiane i używane na powierzchni płaskiej i stabilnej.
- ◆ Urządzenie nie jest przystosowane do używania na zewnątrz.
- ◆ Przewód zasilający musi być sprawdzany regularnie w celu poszukiwania oznak uszkodzenia, jeśli jest uszkodzony, urządzenie nie może być używane.
- ◆ Nie powinny używać aparatu osoby nie wrażliwe na gorąco (urządzenie posiada nagrzewające się powierzchnie).
- ◆ Nie dotykać części grzejnych, gdyż może to spowodować poważne oparzenia.

### Używanie i konserwacja:

- ◆ Przed każdym użyciem, rozwinąć całkowicie przewód zasilania urządzenia.
- ◆ Nie stosować urządzenia, jeśli akcesoria lub części podlegające zużyciu nie są odpowiednio zamocowane.
- ◆ Nie włączać urządzenia jeśli nie zawiera wody.
- ◆ Nie używać urządzenia, jeśli nie działa przycisk włączania ON/OFF.
- ◆ Nie ruszać urządzenia w czasie jego działania.
- ◆ Przestrzegać poziomów MAX i MIN(E).
- ◆ Wyłączać urządzenie z prądu, jeśli nie jest ono używane i przed przystąpieniem do jakiegokolwiek czyszczenia.

- ◆ Przed przystąpieniem do napełniania zbiornika wodą wyłączyć urządzenie z prądu.
- ◆ Przechowywać urządzenie w miejscu niedostępnym dla dzieci i/lub osób o ograniczonych zdolnościach fizycznych, dotykowych lub mentalnych oraz nie posiadających doświadczenia lub znajomości tego typu urządzeń.
- ◆ Nie umieszczać żelazka w pudełku, szafie etc. jeśli jest gorące.
- ◆ Używać urządzenia napełniając je wyłącznie wodą.
- ◆ Nie pozostawiać nigdy urządzenia podłączonego i bez nadzoru. W ten sposób zaoszczędzi się energię i przedłuży okres użytkowania urządzenia.
- ◆ **OSTRZEŻENIE** Nie należy używać urządzenia, jeśli szkło drzwi jest pęknięte lub zniszczone.

### Serwis techniczny:

- ◆ Wszelkie niewłaściwe użycie lub niezgodne z instrukcją obsługi może doprowadzić do niebezpieczeństwa, anulując przy tym gwarancję i odpowiedzialność producenta.

## OPIS

- A Pokrywa
- B Lejek Uchwytu na filtry
- C Stały Filtr
- D Zbiornik na wodę
- E Poziom wody
- F Dzbanek
- G Płyta
- H Przycisk PROG (Programowania)
- I Przycisk ON/OFF
- J Przycisk MIN (Minuty)
- K Przycisk Hours (Godziny)
- K1 Przycisk Auto
- L Miarka
- M Kabel przyłączeniowy

## SPOSÓB UŻYCIA

### Uwagi przed użyciem:

- ◆ Upewnić się, że z opakowania zostały wyjęte wszystkie elementy urządzenia.
- ◆ Przed pierwszym parzeniem kawy zaleca się nastawienie ekspresu jedynie z wodą.



### Napełnianie pojemnika wodą:

- ◆ Należy koniecznie napełnić pojemnik wodą przed włączeniem urządzenia.
- ◆ Otworzyć pokrywę (A).
- ◆ Wypełnić zbiornik zimną wodą (D).
- ◆ Napełnić pojemnik mając na uwadze poziom MAX (E) w zależności do ilości filiżanek, jakie chcemy przygotować
- ◆ Zamknąć pokrywę (A).

### Wypełnianie Kawy:

- ◆ Wyjąć stały filtr (C) z uchwytu na filtry (B).
- ◆ Napełnić wymowlalny filtr zmieloną kawą (C), (należy wsypać 6-7gr zmielonej kawy na filiżankę przygotowanej kawy).
- ◆ Sprawdzić, czy filtr wymowlany jest umieszczony prawidłowo w uchwycie na filtry i czy pokrywa (A) jest dobrze zamknięta.
- ◆ Można użyć łyżeczki - miarki (L).

## SPOSÓB UŻYCIA

### Przed pierwszym użyciem

- ◆ Aby zapewnić doskonałą kawę już od pierwszej filiżanki, zalecamy płukanie ciepłą wodą w następujący sposób:
- ◆ Wlać 1,25L wody do pojemnika (D).
- ◆ Umieścić Trwały filtr (C) en lejku (B), pusty, bez kawy i zamknąć pokrywę (A) ekspresu.
- ◆ Umieścić dzbanek (F) na płycie podgrzewacza (G).
- ◆ Podłączyć do sieci. Na wyświetlaczu pojawi się 12:00.
- ◆ Nacisnąć jeden raz ON/OFF Zaświeci się czerwona kontrolka (LED), co oznacza, że urządzenie jest podłączone.
- ◆ Woda zacznie wypływać w ciągu paru sekund.
- ◆ Kiedy woda przystanie wypływać, opróżnić dzbanek, wyczyścić Stały filtr (C) i lejek - uchwyt filtra (B).
- ◆ W taki sposób mamy urządzenie gotowe do robienia kawy.
- ◆ Jeśli chcemy zatrzymać urządzenie, nacisnąć ON/OFF i urządzenie się wyłączy.

### Aby zrobić bezpośrednio kawę, bez programowania

- ◆ Napełnić pojemnik zimną wodą (D) zgodnie z Punktem Napełnienie Wodą.
- ◆ Dodać zmieloną kawę zgodnie z Punktem Napełnienie Kawą.

- ◆ Umieścić dzbanek (F) na płycie podgrzewacza (G).
- ◆ Podłączyć do sieci. Na wyświetlaczu pojawi się 12:00.
- ◆ Nacisnąć jeden raz przycisk ON/OFF Zaświeci się czerwona kontrolka.
- ◆ Kawa zacznie wypływać w ciągu paru sekund.
- ◆ Dzbanek (F) można wyjmować podczas, gdy jest robiona kawa System zapobiegający kapaniu zapobiega, aby kawa nie wylewała się, kiedy dzbanek nie znajduje się na swoim miejscu. Jednakże, jeśli dzbanek pozostaje poza swoim miejsce dłużej niż 30 sekund, zanim cała woda przejdzie przez filtr, jest możliwe, że filtr będzie się przelewał.
- ◆ Kiedy skończy się robić kawa, można wyłączyć urządzenie.
- ◆ Jeśli chcemy zatrzymać urządzenie, nacisnąć ON/OFF i urządzenie się wyłączy.
- ◆ Jeśli nie, ekspres do kawy automatycznie przejdzie do trybu Utrzymania ciepła i po 40 minut ekspres wyłączy się automatycznie.
- ◆ OSTRZEŻENIE Nie zostawiać ekspresu do kawy bez nadzoru podczas przygotowania kawy.

### Po zakończeniu korzystania z urządzenia:

- ◆ Zatrzymać urządzenie.
- ◆ Można nacisnąć ON/OFF, aby zatrzymać lub można po prostu go zostawić, a ekspres do kawy wyłączy się automatycznie po 40 minut.
- ◆ Wyłączyć urządzenie z sieci elektrycznej.
- ◆ Wyczyścić urządzenie.

## INSTRUKCJE PROGRAMOWANIA

### Funkcje wyświetlania:

- ◆ Czterocyfrowy wyświetlacz (ekran) na 24 godziny, wskazuje aktualny czas i zaplanowany czas.
- ◆ Czerwona dioda LED sygnalizująca, że urządzenie się nagrzewa.
- ◆ Zielona dioda LED wskazuje, że urządzenie czeka na czasomierz.
- ◆ Kiedy wtyczka jest umieszczona w kontakcie i obydwie diody Led nie świecą, wyświetlacz będzie pokazywał aktualną godzinę i godzinę wcześniej ustaloną.

### Przyciski

- ◆ **Przycisk „ON/OFF”:** Po naciśnięciu przycisku „ON / OFF” urządzenie zacznie przygotowywać kawę.



- ◆ Urządzenie wyłączy się automatycznie po 40 minut, a następnie na wyświetlaczu pojawi się aktualny czas.
- ◆ Nacisnąć ten przycisk, gdy zielona dioda LED jest włączona, i chcemy anulować zaplanowany czas rozpoczęcia.
- ◆ **Przycisk „AUTO”:** przełącznik do automatycznego uruchamiania.
- ◆ **Przycisk „PROG”:** Aby ustawić timer, należy raz nacisnąć przycisk „PROG”, aby rozpocząć ustawianie wymaganego czasu.
- ◆ Następnie nacisnąć ponownie „PROG”, aby zmienić stan urządzenia w tryb gotowości (sygnalizowany zieloną diodą LED).
- ◆ Naciśnięcie „AUTO” spowoduje anulowanie zaprogramowanego programu czasowego (czasomierza).

## Konfiguracja programu „PROG”

### 1. Konfiguracja aktualnego czasu:

- ◆ Podłączyć do sieci i system pokaże 12:00, przerywany.
- ◆ Nacisnąć i przytrzymać przycisk „PROG” przez 3 sekundy, SET TIME” pojawi się na ekranie w lewym górnym rogu
- ◆ Nacisnąć „HR”, aby skonfigurować godzinę.
- ◆ Nacisnąć „MIN”, aby skonfigurować minuty.
- ◆ Nacisnąć i przytrzymać ponownie przycisk „PROG” przez 3 sekundy po zakończeniu ustawiania czasu. Jeśli nie, to czas wcześniej ustawiony zostanie usunięty po 10 sekundach.
- ◆ Jeśli odłączymy urządzenie, ustawiony czas zostanie anulowany i będzie wymagane ponowne ustawienie po podłączeniu urządzenia do następnego użycia.

### 2. Konfigurowanie czasomierza:

- ◆ Nacisnąć i przytrzymać przycisk „PROG” (dwa razy) przez 0,5 sekundy, aby wejść do funkcji konfiguracji.
- ◆ Pojawi się migające słowo „SET TIMER” w prawym górnym rogu.
- ◆ Nacisnąć przycisk „HR”, aby skonfigurować godziny, następnie nacisnąć „MIN”, aby ustawić minuty.
- ◆ Nacisnąć i przytrzymać przycisk „PROG” przez 0,5 sekundy, aby potwierdzić.
- ◆ Nacisnąć przycisk „AUTO”, aby przełączyć urządzenie do trybu gotowości timera/czasomierza (zielona dioda LED będzie świecić).
- ◆ Nacisnąć ponownie przycisk „AUTO”, aby wyłączyć stan czuwania. Wznowić stan oczekiwania, naciskając ponownie przycisk „AUTO”.
- ◆ Nacisnąć i przytrzymać przycisk „PROG” przez 0,5 sekundy, aby sprawdzić ustawiony czas timera.

- ◆ Nacisnąć ponownie „PROG”, aby potwierdzić i wyświetlacz powróci do aktualnej godziny.
- ◆ Nacisnąć „ON/OFF” w jakimkolwiek momencie, aby włączyć urządzenie - zaświeci się czerwona dioda.
- ◆ Urządzenie rozpocznie pracę o ustalonej godzinie (czerwona dioda będzie się świecić). Urządzenie wyłączy się automatycznie po 2 godzinach i wyświetlacz LCD pokaże aktualną godzinę.
- ◆ Zakres ustawienia czasu: 23 godziny 59 minut.
- ◆ Przycisk godzin „HR”: ten przycisk należy używać tylko do ustawienia godziny. Przytrzymać przycisk wciśnięty przez 0,5 sekundy dla każdej zwiększenia o godzinę. Przytrzymanie tego przycisku spowoduje, że konfiguracja godziny będzie dokonywał się szybko.
- ◆ Przycisk minut „MIN”: taki sam proces, jak przy ustawianiu godziny „HR”.
- ◆ **OSTRZEŻENIE** Nie zostawiać ekspresu do kawy bez nadzoru podczas przygotowania kawy.

### Po zakończeniu korzystania z urządzenia:

- ◆ Zatrzymać urządzenie.
- ◆ Można nacisnąć ON/OFF, aby zatrzymać lub można po prostu go zostawić, a ekspres do kawy wyłączy się automatycznie po 40 minut.
- ◆ Wyłączyć urządzenie z sieci elektrycznej.
- ◆ Wyczyścić urządzenie.

## CZYSZCZENIE

- ◆ Odłączyć urządzenie z sieci i pozostawić aż do ochłodzenia przed przystąpieniem do jakiegokolwiek czyszczenia.
- ◆ Czyścić urządzenie wilgotną szmatką zmoczoną kilkoma kroplami płynu i następnie osuszyć.
- ◆ Nie używać do czyszczenia urządzenia rozpuszczalników, produktów z czynnikiem PH takich jak chlor, ani środków żrących.
- ◆ Jeśli urządzenie nie jest utrzymywane w odpowiednim dobrym stanie czystości, jego powierzchnia może się niszczyć i wpływać w sposób niedający się powstrzymać na okres trwałości urządzenia oraz prowadzić do niebezpiecznych sytuacji.
- ◆ Aby wyczyścić stały filtr, opróżnić go i wypluć pod bieżącą wodą.
- ◆ Poniższe części można myć w ciepłej wodzie z mydłem lub w zmywarce (ustawiając najniższy program):
  - Dzbanek
- ◆ Wyszuszyć wszystkie elementy przed ponownym montażem.

### Usuwanie osadu kamiennego:

- ◆ Aby urządzenie doskonale działało, nie może ono mieć osadu wapnia czy magnezu, który pochodzi z wody o dużym stopniu twardości.
- ◆ Aby uniknąć tego rodzaju problemu, zaleca się stosowanie wody o niskiej mineralizacji wapnia czy magnezu.
- ◆ Jeśli jednak nie jest możliwe stosowanie zalecanego powyżej tego rodzaju wody, należy okresowo odkamieniać urządzenie, w następujących odstępach czasu:
  - Co 6 tygodni, jeśli woda jest "bardzo twarda".
  - Co 12 tygodni, jeśli woda jest "twarda".
  - Jeśli czas potrzebny do przygotowania dzbanka kawy znacznie się zwiększa.
- ◆ W tym celu należy użyć specjalnego produktu, zalecanego do tego typu urządzeń.
- ◆ Nie zaleca się rozwiązań będących sposobami domowymi, takich jak używanie octu, przy usuwaniu z urządzenia osadu kamiennego.

## NIEPRAWIDŁOWOŚCI I NAPRAWA

- ◆ W razie awarii zanieść urządzenie do autoryzowanego Serwisu Technicznego. Nie próbować rozbierać urządzenia ani go naprawiać, ponieważ może to być niebezpieczne.

### Dla urządzeń wyprodukowanych w Unii Europejskiej i w przypadku wymagań prawnych obowiązujących w danym kraju:

#### Ekologia i zarządzanie odpadami

- ◆ Materiały, z których wykonane jest opakowanie tego urządzenia, znajdują się w ramach systemu zbierania, klasyfikacji oraz ich odzysku. Jeżeli chcecie Państwo się ich pozbyć, należy umieścić je w kontenerze przeznaczonym do tego typu materiałów.
- ◆ Produkt nie zawiera koncentracji substancji, które mogłyby być uznane za szkodliwe dla środowiska.



Symbol ten oznacza, że jeśli chcecie się Państwo pozbyć tego produktu po zakończeniu okresu jego użytkowania, należy go przekazać przy zastosowaniu określonych środków do autoryzowanego podmiotu zarządzającego odpadami w celu przeprowadzenia selektywnej

zbiórki Odpadów Urządzeń Elektrycznych i Elektronicznych (WEEE).

To urządzenie jest zgodne z dyrektywą 2014/35 / UE niskonapięciowych 2014/30 / UE o Kompatybilność elektromagnetycznej, z dyrektywą 2011/65 / UE w sprawie ograniczenia stosowania niektórych niebezpiecznych substancji w sprzęcie elektrycznym i elektronicznym oraz dyrektywą 2009/125 / WE w sprawie wymogów dotyczących ekoprojektu stosowanego w produktach związanych z energią.

#### GWARANCJA I SERWIS TECHNICZNY

Ten produkt jest uznawany i chroniony prawną gwarancją zgodnie z obowiązującymi przepisami.

W celu wyegzekwowania swoich praw lub interesów, należy udać się do dowolnego z naszych oficjalnych usług pomocy technicznej.

Najbliższy punkt można znaleźć, korzystając z poniższego linku: <http://www.2helpu.com/>

Można również poprosić o informacje, kontaktując się z nami (patrz ostatnia strona instrukcji).

Można też pobrać niniejszą instrukcję obsługi i jej aktualizacje na <http://www.2helpu.com>

## Καφετιέρα BXCO1000E

### Αξιότιμε πελάτη:

Σας ευχαριστούμε που αποφασίσατε να αγοράσετε ένα προϊόν μάρκας Black & Decker.

Η τεχνολογία, ο σχεδιασμός και η λειτουργία του, σε συνδυασμό με το γεγονός ότι το προϊόν πληροί τις αυστηρότερες προδιαγραφές ποιότητας θα σας εξασφαλίσουν πλήρη ικανοποίηση για πολύ καιρό.

- ♦ Διαβάστε προσεκτικά το παρόν φυλλάδιο οδηγιών πριν θέσετε σε λειτουργία τη συσκευή, και φυλάξτε το για να το συμβουλευέστε στο μέλλον. Η μη τήρηση και μη συμμόρφωση με τις εν λόγω οδηγίες μπορούν να οδηγήσουν σε ατύχημα.

## ΟΔΗΓΙΕΣ ΚΑΙ ΠΡΟΕΙΔΟΠΟΙΗΣΕΙΣ ΑΣΦΑΛΕΙΑΣ

- ♦ Αυτή η συσκευή έχει σχεδιαστεί μόνο για οικιακή χρήση, όχι για επαγγελματική ή βιομηχανική χρήση. Δεν έχει σχεδιαστεί για να χρησιμοποιείται από πελάτες σε ξενοδοχειακά περιβάλλοντα που σχετίζονται με διανυκτέρευση και πρωινό, ξενοδοχεία, μοτέλ και άλλα περιβάλλοντα στέγασης, ούτε σε αγροτικές κατοικίες, χώρους εστίασης μόνο για το προσωπικό σε καταστήματα, γραφεία και άλλα εργασιακά περιβάλλοντα.
- ♦ Πριν την πρώτη χρήση, καθαρίστε όλα τα μέρη του προϊόντος που μπορεί να έρθουν σε επαφή με τρόφιμα, κάνοντας αυτά που αναφέρονται στην παράγραφο για την καθαριότητα.
- ♦ Αυτή τη συσκευή μπορούν να τη χρησιμοποιούν άτομα με μειωμένες σωματικές, αισθητηριακές ή νοητικές ικανότητες ή έλλειψη εμπειρίας και γνώσεων, εάν βρίσκονται υπό την κατάλληλη επιτήρηση ή έχουν λάβει την κατάλληλη εκπαίδευση για την ασφαλή χρήση της συσκευής και κατανοούν τους κινδύνους που ενέχει.
- ♦ Αυτή η συσκευή μπορεί να χρησιμοποιείται από παιδιά ηλικίας 8 ετών και άνω, εάν βρίσκονται υπό την κατάλληλη επιτήρηση ή έχουν λάβει τις κατάλληλες οδηγίες για την ασφαλή χρήση της συσκευής και κατανοούν τους κινδύνους που ενέχει.
- ♦ Η καθαριότητα και η συντήρηση που πρέπει να κάνει ο χρήστης, δεν πρέπει να γίνεται από παιδιά, εκτός αν είναι μεγαλύτερα από 8 χρονών και βρίσκονται υπό επιτήρηση.
- ♦ Διατηρείτε τη συσκευή και το καλώδιο της μακριά από τα παιδιά ηλικίας κάτω των οκτώ ετών.
- ♦ Η παρούσα συσκευή δεν είναι παιχνίδι. Τα παιδιά πρέπει να επιτηρούνται ώστε να διασφαλίζεται ότι δεν παίζουν με τη συσκευή.
- ♦ Μην εμβαπτίζετε ποτέ τη συσκευή σε νερό ή άλλο υγρό, ούτε να τη βάζετε κάτω από τη βρύση.
- ♦ Εάν έχει υποστεί βλάβη το καλώδιο σύνδεσης στο ρεύμα, πρέπει να αντικατασταθεί και να μεταφέρετε τη συσκευή σε εξουσιοδοτημένο

σέρβις τεχνικής εξυπηρέτησης πελατών. Προκειμένου να μην εκτεθείτε σε κίνδυνο, μην προσπαθήσετε να αποσυναρμολογήσετε ή να επιδιορθώσετε τη συσκευή.

- ◆ Πριν συνδέσετε τη συσκευή στο ρεύμα, ελέγξτε ότι η τάση που αναφέρεται στην πινακίδα σήμανσης συμπίπτει με την τάση του ρεύματος.
- ◆ Συνδέστε τη συσκευή σε βάση λήψης ρεύματος που διαθέτει γείωση και που αντέχει τουλάχιστον 10 αμπέρ.
- ◆ Το βύσμα της πρίζας της συσκευής πρέπει να συμπίπτει με την ηλεκτρική βάση λήψης ρεύματος. Μην αλλάζετε ποτέ το βύσμα της πρίζας. Μην χρησιμοποιείτε μετασχηματιστές στο βύσμα της πρίζας.
- ◆ Μην ασκείτε πίεση στο ηλεκτρικό καλώδιο. Ποτέ μη χρησιμοποιείτε το ηλεκτρικό καλώδιο για να σηκώσετε, να μεταφέρετε ή να αποσυνδέσετε τη συσκευή από την πρίζα.
- ◆ Μην τυλίγετε το ηλεκτρικό καλώδιο σύνδεσης γύρω από τη συσκευή.
- ◆ Μην αφήνετε το ηλεκτρικό καλώδιο σύνδεσης να σφηνώνει ή να διπλώνεται.
- ◆ Μην αφήνετε το ηλεκτρικό καλώδιο σύνδεσης να έρχεται σε επαφή με τις ζεστές επιφάνειες της συσκευής.
- ◆ Ελέγξτε την κατάσταση του καλωδίου τροφοδοσίας. Αν το καλώδιο παρουσιάζει φθορά ή έχει μπλεχτεί αυξάνεται ο κίνδυνος ηλεκτροπληξίας.
- ◆ Μην αγγίζετε το βύσμα σύνδεσης με υγρά χέρια.
- ◆ Μην χρησιμοποιείτε τη συσκευή όταν το ηλεκτρικό καλώδιο ή το βύσμα έχουν υποστεί ζημιά.
- ◆ Εάν κάποιο από τα περιβλήματα της συσκευής σπάσει, αποσυνδέετε αμέσως τη συσκευή από το ρεύμα για να αποφύγετε πιθανότητα ηλεκτροπληξίας.
- ◆ Μην χρησιμοποιείτε τη συσκευή αν έχει πέσει στο δάπεδο, αν παρουσιάζει εμφανή φθορά ή διαρροή.
- ◆ Μην τοποθετείτε τη συσκευή επάνω σε ζεστές επιφάνειες, όπως εστίες μαγειρέματος, εστίες γκαζιού, φούρνους και συναφή.
- ◆ Η συσκευή πρέπει να χρησιμοποιείται και να διατηρείται σε επίπεδη και σταθερή επιφάνεια.
- ◆ Η συσκευή αυτή δεν ενδείκνυται για χρήση έξω στην ύπαιθρο.
- ◆ Το καλώδιο τροφοδοσίας πρέπει να εξετάζεται τακτικά ώστε να ανιχνεύονται σημάδια φθοράς, και αν υπάρχει φθορά, η συσκευή δεν πρέπει να χρησιμοποιείται.

- ◆ Η συσκευή να μη χρησιμοποιείται από άτομα που δεν έχουν αίσθηση της θερμότητας (επειδή έχει επιφάνειες που θερμαίνονται).
- ◆ Μην αγγίζετε τα θερμασμένα τμήματα της συσκευής, γιατί μπορούν να προκαλέσουν εγκαύματα.

### Χρήση και συντήρηση:

- ◆ Πριν από κάθε χρήση, ξετυλίξτε τελείως το καλώδιο τροφοδοσίας της συσκευής.
- ◆ Μην χρησιμοποιείτε τη συσκευή χωρίς το/τα φίλτρο/α να είναι σωστά τοποθετημένα.
- ◆ Μην θέτετε τη συσκευή σε λειτουργία χωρίς νερό.
- ◆ Μην χρησιμοποιείται τη συσκευή αν δεν λειτουργεί ο διακόπτης έναρξης/παύσης λειτουργίας.
- ◆ - Μην μετακινείται τη συσκευή ενώ χρησιμοποιείται.
- ◆ Τηρείτε τα επίπεδα MAX και MIN(E).
- ◆ Αποσυνδέετε τη συσκευή από το ρεύμα, όταν δεν τη χρησιμοποιείτε καθώς και πριν πραγματοποιήσετε οποιαδήποτε διαδικασία καθαρισμού.
- ◆ Αποσυνδέετε τη συσκευή από το ρεύμα πριν γεμίσετε τη δεξαμενή νερού.
- ◆ Διατηρήστε την παρούσα συσκευή μακριά από τα παιδιά ή/και τα άτομα με μειωμένες σωματικές, αισθητηριακές ή διανοητικές ικανότητες ή άτομα με ελλείψεις εμπειρίες ή γνώσεις.
- ◆ Μην φυλάσσετε ούτε να μεταφέρετε τη συσκευή όσο είναι ακόμα ζεστή.
- ◆ Μην χρησιμοποιείτε τη συσκευή μόνο με νερό.
- ◆ Μην αφήνετε ποτέ συνδεδεμένη τη συσκευή και χωρίς επιτήρηση. Έτσι θα εξοικονομήσετε επίσης ενέργεια και θα επιμηκύνετε τη ζωή της συσκευής.
- ◆ ΠΡΟΕΙΔΟΠΟΙΗΣΗ Μην χρησιμοποιείτε τη συσκευή αν το το κρύσταλλο είναι ραγισμένο ή σπασμένο.

### Λειτουργία:

- ◆ Οποιαδήποτε μη ενδοδειγμένη χρήση ή χρήση αντίθετη προς τις οδηγίες χρήσης μπορεί να εγκυμονεί κινδύνους, και ακυρώνει την εγγύηση και την ευθύνη του κατασκευαστή.

### ΠΕΡΙΓΡΑΦΗ

- A Καπάκι
- B Χωνί κλειστόρο
- C Μόνιμο φίλτρο
- D Δεξαμενή νερού
- E Επίπεδο νερού
- F Δοχείο
- G Θερμαινόμενη πλάκα

- H Κουμπί PROG (Προγραμματισμός)
- I Διακόπτης έναρξης/παύσης λειτουργίας
- J Κουμπί MIN (Λεπτά)
- K Κουμπί Hours (Ωρες)
- K1 Κουμπί Auto
- L Δοσομετρικό κουτάλι
- M Καλώδιο τροφοδοσίας

## ΤΡΟΠΟΣ ΛΕΙΤΟΥΡΓΙΑΣ

### Παρατηρήσεις πριν τη χρήση:

- ♦ Βεβαιωθείτε ότι έχετε αφαιρέσει όλα τα υλικά συσκευασίας του προϊόντος.
- ♦ Πριν χρησιμοποιήσετε τη συσκευή για πρώτη φορά, σας συμβουλεύουμε να τη χρησιμοποιήσετε μόνο με νερό.

### Γέμισμα με νερό:

- ♦ Είναι απαραίτητο να έχετε γεμίσει προηγουμένως τη δεξαμενή με νερό πριν θέσετε τη συσκευή σε λειτουργία.
- ♦ Ανοίξτε το καπάκι (A).
- ♦ Γεμίστε τη δεξαμενή (D) με κρύο νερό.
- ♦ Γεμίστε το δοχείο, σεβόμενοι τη στάθμη MAX (E) ανάλογα με τον αριθμό φλιτζανιών καφέ που θέλετε να ετοιμάσετε.
- ♦ Κλείστε την τάπα (A).

### Γέμισμα με καφέ:

- ♦ Αφαιρέστε το μόνιμο φίλτρο (C) από το κλείστρο (B).
- ♦ Γεμίστε με αλεσμένο καφέ το αποσπώμενο φίλτρο (C), (πρέπει να βάλετε 6-7 gr αλεσμένου καφέ ανά φλιτζάνι καφέ που ετοιμάζετε).
- ♦ Βεβαιωθείτε ότι το αποσπώμενο φίλτρο έχει τοποθετηθεί σωστά στο κλείστρο και το καπάκι (A) έχει κλείσει καλά.
- ♦ Μπορείτε να χρησιμοποιήσετε το δοσομετρικό κουτάλι (L).

## ΧΡΗΣΗ

### Πριν την πρώτη χρήση:

- ♦ Για να είστε σίγουροι ότι ο καφές θα είναι εξαιρετικός από το πρώτο φλιτζάνι, ξεπλύνετε με χλιαρό νερό με τον ακόλουθο τρόπο:
- ♦ Βάλτε 1,25 l νερού στη δεξαμενή (D).
- ♦ Τοποθετήστε το μόνιμο φίλτρο (C) στο χωνί (B), άδειο, χωρίς καφέ, και κλείστε το καπάκι (A) της καφετιέρας.
- ♦ Τοποθετήστε το δοχείο (F) στη θερμοαυτόμηνη πλάκα (G).

- ♦ Συνδέστε την καφετιέρα στο ρεύμα. Στην οθόνη θα εμφανιστεί 12:00.
- ♦ Πιέστε ON/OFF μία φορά. Η κόκκινη ένδειξη ανάβει, δείχνοντας έτσι ότι η μηχανή είναι συνδεδεμένη στο ρεύμα.
- ♦ Το νερό θα αρχίσει να βγαίνει μετά από μερικά λεπτά.
- ♦ Όταν σταματήσει να βγαίνει νερό, αδειάστε το δοχείο, καθαρίστε το μόνιμο φίλτρο (C) και το χωνί του κλείστρου (B).
- ♦ Να έχετε τη μηχανή έτοιμη για να ετοιμάσετε καφέ.
- ♦ Αν θέλετε να σταματήσετε τη μηχανή, πιέστε ON/OFF και η μηχανή θα σταματήσει.

### Για να ετοιμάσετε καφέ απευθείας χωρίς προγραμματισμό

- ♦ Γεμίστε τη δεξαμενή (D) με κρύο νερό σύμφωνα με την παράγραφο «γέμισμα με νερό».
- ♦ Προσθέστε αλεσμένο καφέ σύμφωνα με την παράγραφο «γέμισμα με καφέ».
- ♦ Τοποθετήστε το δοχείο (F) στη θερμοαυτόμηνη πλάκα.
- ♦ Συνδέστε την καφετιέρα στο ρεύμα. Στην οθόνη θα εμφανιστεί 12:00.
- ♦ Πιέστε το κουμπί ON/OFF μία φορά. Θα ανάψει η κόκκινη ένδειξη.
- ♦ Ο καφές θα αρχίσει να βγαίνει μετά από μερικά λεπτά.
- ♦ Το δοχείο (F) μπορεί να αφαιρεθεί, ενόσω ο καφές ετοιμάζεται. Το σύστημα κατά του σταξιματος δεν επιτρέπει να χυθεί έξω καφές όταν το δοχείο δεν είναι στη θέση του. Βέβαια, αν το δοχείο βρεθεί εκτός της θέσης του για πάνω από 30 δευτερόλεπτα, προτού να έχει περάσει όλο το νερό από το φίλτρο, το φίλτρο ενδέχεται να ξεχειλίσει.
- ♦ Όταν τελειώσετε και έχετε ετοιμάσει τον καφέ, μπορείτε να σταματήσετε τη μηχανή.
- ♦ Αν θέλετε να σταματήσετε τη μηχανή, πιέστε ON/OFF και η μηχανή θα σταματήσει.
- ♦ Αν δεν το κάνετε, η καφετιέρα θα μπει αυτόματα στη λειτουργία «να διατηρείται ζεστή» και μετά από 40 λεπτά η καφετιέρα θα σβήσει αυτόματα.
- ♦ ΠΡΟΕΙΔΟΠΟΙΗΣΗ Μην αφήνετε την καφετιέρα χωρίς επιτήρηση όσο παρασκευάζεται ο καφές.

### Αφού ολοκληρωθεί η χρήση της συσκευής:

- ♦ Παύση λειτουργίας της συσκευής.
- ♦ Μπορείτε να πιέσετε ON/OFF για να παύσει να λειτουργεί ή μπορείτε απλώς να την αφήσετε, και η καφετιέρα θα σβήσει αυτόματα μετά από 40 λεπτά.
- ♦ Αποσυνδέστε τη συσκευή από το ηλεκτρικό δίκτυο.
- ♦ Καθαρίστε τη συσκευή.

## ΟΔΗΓΙΕΣ ΠΡΟΓΡΑΜΜΑΤΙΣΜΟΥ

### Λειτουργίες απεικόνισης:

- ♦ Οθόνη τεσσάρων ψηφίων για 24 ώρες, η οποία δείχνει την τρέχουσα ώρα και την ώρα προγραμματισμού.
- ♦ Κόκκινο led που δείχνει ότι η συσκευή θερμαίνεται.
- ♦ Πράσινο led που δείχνει ότι η συσκευή βρίσκεται σε αναμονή λόγω του χρονοδιακόπτη.
- ♦ Όταν η πρίζα είναι συνδεδεμένη στο ρεύμα και τα δύο led είναι σβηστά, η οθόνη δείχνει ή την τρέχουσα ώρα ή την προκαθορισμένη ώρα.

### Διακόπτες

- ♦ Κουμπί «ON/OFF»: Αν πιέσετε το κουμπί «ON/OFF», η συσκευή αρχίζει να ετοιμάζει καφέ.
- ♦ Η συσκευή θα σβήσει αυτόματα μετά από 40 λεπτά, και μετά η οθόνη θα δείχνει την τρέχουσα ώρα.
- ♦ Πιέστε αυτό το κουμπί όταν το πράσινο led είναι αναμμένο και επιθυμείτε να ακυρώσετε την προγραμματισμένη ώρα έναρξης.
- ♦ **Κουμπί «AUTO»:** είναι ο διακόπτης για την αυτόματη έναρξη λειτουργίας.
- ♦ **Κουμπί «PROG»:** Για να προγραμματίσετε τον χρονοδιακόπτη, πρέπει να πιέσετε το κουμπί «PROG» μία φορά για να αρχίσετε να ρυθμίζετε την ώρα που θέλετε.
- ♦ Μετά πιέστε ξανά το «PROG» για να θέσετε τη συσκευή σε κατάσταση αναμονής (που καταδεικνύεται με το αναμμένο πράσινο led).
- ♦ Πιέζοντας «AUTO» ακυρώνεται το προκαθορισμένο πρόγραμμα του χρονοδιακόπτη.

### Ρύθμιση του προγράμματος «PROG»

#### 1. Ρύθμιση της τρέχουσας ώρας:

- ♦ Συνδέστε την καφετιέρα στο ρεύμα και το σύστημα θα δείξει 12:00, διαλείπουσα.
- ♦ Πιέστε και διατηρήστε πατημένο το κουμπί «PROG» για 3 δευτερόλεπτα. Η ένδειξη «SET TIME» θα εμφανιστεί στην οθόνη στην επάνω αριστερή γωνία.
- ♦ Πιέστε «HR» για να ρυθμίσετε την ώρα.
- ♦ Πιέστε «MIN» για να ρυθμίσετε τα λεπτά.
- ♦ Πιέστε και κρατήστε πατημένο το κουμπί «PROG» πάλι για 3 δευτερόλεπτα αφού ολοκληρώσετε τη ρύθμιση της ώρας. Αν δεν το κάνετε, ο προκαθορισμένος χρόνος θα ακυρωθεί μετά από 10 δευτερόλεπτα.
- ♦ Αν βγάλετε από την πρίζα τη συσκευή, θα ακυρωθεί η προκαθορισμένη ώρα και θα πρέπει να την ξαναενεργοποιήσετε αφού συνδέσετε στην πρίζα τη συσκευή, για την επόμενη χρήση.

#### 2. Ρύθμιση του χρονοδιακόπτη:

- ♦ Πιέστε και κρατήστε πατημένο το κουμπί «PROG» (δύο φορές) για 0,5 δευτερόλεπτα, για να μπείτε στο περιβάλλον των ρυθμίσεων.
- ♦ Θα εμφανιστεί η λέξη «SET TIMER» να αναβοσβήνει στην επάνω σωστά γωνία.
- ♦ Πιέστε το κουμπί «HR» για να ρυθμίσετε την ώρα, και πιέστε «MIN» για να ρυθμίσετε τα λεπτά.
- ♦ Πιέστε και κρατήστε πατημένο το κουμπί «PROG» για 0,5 δευτερόλεπτα για επιβεβαίωση.
- ♦ Πιέστε το κουμπί «AUTO» για να θέσετε τη συσκευή σε λειτουργία αναμονής βίσει του χρονοδιακόπτη (το πράσινο Led θα ανάψει).
- ♦ Πιέστε και πάλι το κουμπί «AUTO» για να σβήσετε την κατάσταση αναμονής. Θέστε και πάλι τη συσκευή σε κατάσταση αναμονής, πιέζοντας ξανά το κουμπί «AUTO».
- ♦ Κρατήστε πιεσμένο το κουμπί «PROG» για 0,5 δευτερόλεπτα για να ελέγξετε την προκαθορισμένη ώρα του χρονοδιακόπτη.
- ♦ Πιέστε «PROG» και πάλι προς επιβεβαίωση, και η οθόνη θα επιστρέψει στην τρέχουσα ώρα.
- ♦ Πιέστε «ON/OFF» ανά πάσα στιγμή για να ενεργοποιήσετε τη συσκευή, κι έτσι θα ανάψει το κόκκινο led.
- ♦ Η συσκευή θα αρχίσει να λειτουργεί την προκαθορισμένη ώρα (το κόκκινο led θα ανάψει). Η συσκευή θα σβήσει αυτόματα μετά από 2 ώρες, ενώ η οθόνη LCD θα δείχνει την τρέχουσα ώρα.
- ♦ Εύρος χρόνου που μπορείτε να ρυθμίσετε: 23 ώρες 59 λεπτά.
- ♦ Κουμπί ώρας «HR»: αυτό το κουμπί χρησιμοποιείται μόνο για τη ρύθμιση της ώρας. Κρατήστε πατημένο αυτό το κουμπί για 0,5 λεπτά για κάθε ώρα που προσθέτετε. Αν κρατάτε πατημένο αυτό το κουμπί η ρύθμιση της ώρας γίνεται γρήγορα.
- ♦ Κουμπί λεπτών «MIN»: ισχύουν τα ίδια όπως και για τη ρύθμιση «HR».
- ♦ ΠΡΟΕΙΔΟΠΟΙΗΣΗ Μην αφήνετε την καφετιέρα χωρίς επιτήρηση όσο παρασκευάζεται ο καφές.

#### Αφού ολοκληρωθεί η χρήση της συσκευής:

- ♦ Παύση λειτουργίας της συσκευής.
- ♦ Μπορείτε να πιέσετε ON/OFF για να παύσει να λειτουργεί ή μπορείτε απλώς να την αφήσετε, και η καφετιέρα θα σβήσει αυτομάτως μετά από 40 λεπτά.
- ♦ Αποσυνδέστε τη συσκευή από το ηλεκτρικό δίκτυο.
- ♦ Καθαρίστε τη συσκευή.

## ΚΑΘΑΡΙΟΤΗΤΑ

- ◆ Αποσυνδέστε τη συσκευή από το ρεύμα και αφήστε τη να κρυώσει πριν πραγματοποιήσετε οποιαδήποτε διαδικασία καθαρισμού.
- ◆ Καθαρίστε τη συσκευή με ένα υγρό πανί, βρεγμένο με μερικές σταγόνες απορρυπαντικού και μετά στεγνώστε τη.
- ◆ Μη χρησιμοποιείται διαλυτικά ούτε προϊόντα με όξινο ή αλκαλικό παράγοντα pH, όπως η χλωρίνη, ούτε λειαντικά προϊόντα για τον καθαρισμό της συσκευής.
- ◆ Αν η συσκευή δεν βρίσκεται σε καλή κατάσταση καθαριότητας, η επιφάνειά της μπορεί να χαλάσει και αυτό να επηρεάσει αναπόφευκτα τη διάρκεια ζωής της συσκευής και να οδηγήσει σε κατάσταση επικινδυνότητας.
- ◆ Για να καθαρίσετε το μόνιμο φίλτρο, αδειάστε το και ξεπλύνετε το με τρεχούμενο νερό
- ◆ Τα ακόλουθα σκεύη μπορούν να καθαριστούν με ζεστό νερό με σαπούνι ή σε πλυντήριο πιάτων (χρησιμοποιήστε ένα ελαφρύ πρόγραμμα πλυσίματος):
- ◆ Δοχείο.
- ◆ Στεγνώστε όλα τα εξαρτήματα πριν συναρμολογήσετε και φυλάξτε τη συσκευή.

## Αντιμετώπιση των επικαθίσεων αλάτων

- ◆ Για την τέλεια λειτουργία της συσκευής, αυτή πρέπει να μην έχει επικαθίσεις αλάτων ή μαγνησίου που προέρχονται από τη χρήση πολύ σκληρών νερών.
- ◆ Για την αποφυγή αυτού του είδους προβλημάτων συνιστάται η χρήση νερού με χαμηλό ποσοστό μετατροπής αλάτων ή μαγνησίου σε ανόργανες ουσίες.
- ◆ Σε κάθε περίπτωση, αν δεν είναι δυνατή η χρήση του είδους νερού που προτείνεται παραπάνω, θα πρέπει περιοδικά να προβαίνετε σε απασβέστωση της συσκευής με μια περιοδικότητα:
- ◆ κάθε 6 εβδομάδες, αν το νερό είναι «πολύ σκληρό».
- ◆ κάθε 12 εβδομάδες, αν το νερό είναι «σκληρό».
- ◆ Αν ο αναγκαίος χρόνος για να ετοιμάσετε ένα δοχείο καφέ έχει αυξηθεί σημαντικά
- ◆ Προς τούτο, θα πρέπει να χρησιμοποιείτε ένα προϊόν κατά των αλάτων, ειδικά για αυτό το είδος συσκευής.
- ◆ Δεν συνιστώνται σπιτικές λύσεις, όπως η χρήση ξυδιού, για την αντιμετώπιση του θέματος απασβέστωσης της συσκευής.

## ΠΡΟΒΛΗΜΑΤΑ ΚΑΙ ΕΠΙΣΚΕΥΕΣ

- ◆ Σε περίπτωση βλάβης, μεταφέρετε τη συσκευή σε εγκεκριμένη υπηρεσία τεχνικής βοήθειας. Μην προσπαθήσε-

τε να την αποσυναρμολογήσετε ή να την επισκευάσετε γιατί μπορεί να εκτεθείτε σε κίνδυνο.

## Για τις εκδοχές ΕΕ της συσκευής και/ή εφόσον ισχύουν τα παρακάτω στη χώρα σας:

### Οικολογία και ανακυκλωσιμότητα του προϊόντος

- ◆ Τα υλικά που απαρτίζουν τη συσκευασία αυτής της συσκευής, συμμετέχουν σε πρόγραμμα αποκομιδής, ταξινόμησης και ανακύκλωσης τους. Αν θέλετε να απαλλαγείτε από αυτά τα υλικά, μπορείτε να χρησιμοποιήσετε τους δημόσιους κάδους που ενδείκνυνται για κάθε είδος υλικού.
- ◆ Το προϊόν δεν περιέχει συγκεντρώσεις ουσιών που μπορούν να θεωρηθούν επιζήμιες για το περιβάλλον.



Αυτό το σύμβολο σημαίνει ότι εάν θέλετε να απαλλαγείτε από το προϊόν, όταν έχει ολοκληρωθεί ο κύκλος ζωής του, οφείλετε να το εναποθέσετε, με τα κατάλληλα μέσα, στα χέρια ενός διαχειριστή αποβλήτων, εγκεκριμένου για την επιλεκτική συλλογή αποβλήτων ειδών ηλεκτρικού και ηλεκτρονικού εξοπλισμού (ΑΗΗΕ).

Το παρόν προϊόν συμμορφώνεται με την οδηγία 2014/35/ΕΕ χαμηλής τάσης, με την οδηγία 2014/30/ΕΕ για την ηλεκτρομαγνητική συμβατότητα, με την οδηγία 2011/65/ΕΕ για τον περιορισμό της χρήσης ορισμένων επικινδυνών ουσιών σε ηλεκτρικό και ηλεκτρονικό εξοπλισμό και με την οδηγία 2009/125/ΕΚ για τις απαιτήσεις οικολογικού σχεδιασμού όσον αφορά τα συνδεδεμένα με την ενέργεια προϊόντα.

### ΕΓΓΥΗΣΗ ΚΑΙ ΤΕΧΝΙΚΗ ΥΠΟΣΤΗΡΙΞΗ

Το παρόν προϊόν αναγνωρίζεται και προστατεύεται από τη νόμιμη εγγύηση συμμόρφωσης προς την ισχύουσα νομοθεσία.

Για να διεκδικήσετε τα δικαιώματά ή συμφέροντά σας πρέπει να απευθυνθείτε σε οποιοδήποτε από τα επίσημα γραφεία μας τεχνικής υποστήριξης.

Για να βρείτε το πιο κοντινό σε εσάς, ανατρέξτε στην ιστοσελίδα: <http://www.2helpu.com/>

Μπορείτε επίσης να ζητήσετε πληροφορίες, επικοινωνώντας μαζί μας (συμβουλευτείτε την τελευταία σελίδα του εγχειριδίου).

Μπορείτε να «κατεβάσετε» από το διαδίκτυο το παρόν εγχειρίδιο οδηγιών και τις σχετικές ενημερώσεις του στο <http://www.2helpu.com>



## Программируемая кофемашина ВХСО1000Е

### Уважаемый клиент!

Many thanks for choosing to purchase a Black+Decker brand product.

Он выполнен с применением передовых технологий, имеет элегантный дизайн, надежную конструкцию и превышает наиболее требовательные стандарты качества, что обеспечит полное соответствие вашим требованиям и продолжительный срок службы.

♦ Внимательно прочтите эту инструкцию перед включением электроприбора и сохраните ее для использования в будущем. Ненадлежащее соблюдение этой инструкции может быть причиной несчастного случая.

## ИНСТРУКЦИЯ ПО ТЕХНИКЕ БЕЗОПАСНОСТИ

- ♦ этот прибор предназначен исключительно для домашнего, не промышленного использования. Он не предназначен для того, чтобы его использовали постояльцы в мини-гостиницах, отелях, мотелях, других местах проживания гостиничного типа, а также в животноводческих постройках, подсобных помещениях магазинов, в офисах и на других рабочих местах;
- ♦ перед использованием очистите все части, которые будут контактировать с продуктами питания;
- ♦ этот электроприбор может использоваться лицами с ограниченными физическими, сенсорными или умственными возможностями, а также лицами, не обладающими

соответствующим опытом или знаниями, только под присмотром или после проведения инструктажа по безопасному использованию прибора и с пониманием связанных с ним опасностей;

- ♦ Прибор может использоваться детьми старше 8 лет, если они находятся под постоянным присмотром взрослых или если они были проинструктированы относительно безопасного использования прибора и понимают связанные с этим риски.
- ♦ Очистка и уход за электроприбором не должны производиться детьми за исключением, если они старше 8 лет и находятся под присмотром взрослых.
- ♦ храните прибор и его кабель вне досягаемости детей младше 8 лет;
- ♦ Прибор не является игрушкой. Необходимо следить за детьми, чтобы они не играли с ним.
- ♦ Не помещайте электроприбор в воду или иную жидкость, а также под струю воды.
- ♦ Поврежденный сетевой шнур подлежит замене в авторизованном сервисном центре. Не допускается разбирать или ремонтировать прибор, поскольку это небезопасно.



◆ **Прежде чем включить электроприбор, убедитесь, что напряжение на этикетке соответствует напряжению в сети.**

- ◆ Подключите электроприбор к заземленной розетке, рассчитанной на ток не менее 10 ампер.
- ◆ Сетевая вилка должна подходить к розетке. Не допускается вносить изменения в вилку сетевого шнура. Не допускается также использовать переходники для розетки.
- ◆ Не тяните шнур питания. Не допускается использовать шнур питания, чтобы поднимать или переносить электроприбор, вынимать вилку из розетки, потянув за шнур.
- ◆ Не накручивайте сетевой шнур на прибор.
- ◆ Не допускается пережимать или сильно сгибать шнур питания.
- ◆ не допускается, чтобы шнур питания касался горячих частей прибора.
- ◆ Проверьте состояние шнура питания. Поврежденный или запутанный шнур может быть причиной поражения электрическим током.
- ◆ Не прикасайтесь к вилке влажными руками.
- ◆ Не допускается эксплуатировать электроприбор с поврежденным шнуром или вилкой питания.
- ◆ При любом повреждении корпуса электроприбора немедленно отключите его от сети, чтобы не допустить поражения электрическим током.
- ◆ Не допускается использовать прибор после падения на пол, если на нем имеются видимые следы повреждений или протечка.
- ◆ Не ставьте прибор на горячие поверхности: на конфорки, газовые горелки, в духовку и т.п.
- ◆ Чтобы использовать прибор, его нужно установить на ровную и устойчивую поверхность.
- ◆ Данный прибор не предназначен для использования вне дома.
- ◆ Сетевой шнур нужно периодически проверять, чтобы не допустить использование прибора с поврежденным шнуром питания.
- ◆ Людям, не чувствительным к высоким температурам, не рекомендуется использовать прибор (так как в нем есть нагревающиеся поверхности).
- ◆ Не трогайте нагревающиеся части прибора, так как это может вызвать серьезные ожоги.

**Использование и уход**

- ◆ Перед каждым использованием полностью развора-

чивайте сетевой кабель.

- ◆ Не эксплуатируйте прибор с неправильно установленным фильтром.
- ◆ Не включайте прибор без воды.
- ◆ Не допускается эксплуатировать электроприбор с неисправным выключателем питания.
- ◆ Не перемещайте прибор во время использования.
- ◆ Соблюдайте уровни МАКС и МИН для воды(E).
- ◆ Отсоедините электроприбор от сети после использования или для его чистки.
- ◆ Отключите прибор от сетевой розетки перед тем, как вновь наполнить резервуар для воды.
- ◆ Храните этот прибор вне досягаемости детей и/или лиц с ограниченными физическими, сенсорными или умственными возможностями, а также тех, кто не знаком с правилами его использования;
- ◆ Не ставьте электроприбор на хранение, пока он горячий.
- ◆ Пользуйтесь прибором только с водой.
- ◆ Не оставляйте включенный электроприбор без присмотра. Это сохранит электроэнергию и продлит срок его службы.
- ◆ **ВНИМАНИЕ!** Не используйте прибор, если стекло треснуто или разбито.

**Сервисное обслуживание:**

- ◆ Любое неправильное использование или несоблюдение инструкций автоматически приводит к аннулированию гарантии и снятию ответственности производителя.

**ОПИСАНИЕ**

- A Крышка
- B Держатель для фильтра
- C Постоянный фильтр
- D Резервуар с водой
- E Уровень воды
- F Стекланный кувшин
- G Поддон с подогревом
- H Кнопка программирования «PROG»
- I Кнопка ВКЛ / ВЫКЛ (ВКЛ / ВЫКЛ)
- J Кнопка MIN (минуты)
- K Кнопка Часы
- K1 Кнопка «AUTO»
- L Ложка
- M Кабель электропитания

## ИНСТРУКЦИЯ ПО ЭКСПЛУАТАЦИИ

### Перед использованием:

- ◆ Убедитесь в том, что вы полностью распаковали прибор.
- ◆ Прежде чем использовать продукт в первый раз, рекомендуется запустить его только с водой.

### Заливка воды:

- ◆ Необходимо заполнить водой отсек для воды перед включением прибора.
- ◆ Откройте крышку (А).
- ◆ При заполнении следите за отметкой MAX уровень. (Е) Используйте столько чашек воды, сколько чашек кофе вы хотите приготовить.
- ◆ Закройте крышку (А).

### Заправка кофе:

- ◆ Снимите постоянный фильтр (С) с держателя для фильтра (В).
- ◆ Заполните съемный фильтр (С) молотым кофе (для приготовления одной чашки кофе используйте 6-7 граммов молотого кофе).
- ◆ Убедитесь, что съемный фильтр правильно установлен в держатель для фильтра, и крышка (А) закрыта должным образом.
- ◆ Вы можете использовать мерную ложку (L) для добавления кофе.

## ИСПОЛЬЗОВАНИЕ

### Перед первым использованием

- ◆ Чтобы прибор готовил отличный кофе с первой чашки, мы рекомендуем сполоснуть его теплой водой следующим образом:
- ◆ Налейте 1,25 л воды в резервуар (D).
- ◆ Поместите постоянный фильтр (С) в пустой, не заполненный кофе держатель для фильтра (В) и закройте крышку (А) кофемашины.
- ◆ Поместите кувшин (F) на поддон с подогревом (G).
- ◆ Подключите прибор к сети. На экране будет отображаться 12:00.
- ◆ Нажмите кнопку ON/OFF, загорится индикатор (ON/OFF). Это означает, прибор подсоединен.
- ◆ Через несколько секунд начнет выходить вода.

- ◆ Когда вода перестанет течь, опорожните кувшин, очистите постоянный фильтр (С) и держатель для фильтра (В).
- ◆ Кофемашина готова для приготовления кофе.
- ◆ Если вы хотите остановить прибор, нажмите ON/OFF, и прибор остановит работу.

### Чтобы приготовить кофе без программирования прибора:

- ◆ Заполните резервуар (D) холодной водой в соответствии с инструкциями в разделе «Заполнение водой».
- ◆ Используйте то количество воды, которое вам нужно.
- ◆ Уровень воды в кувшине и резервуаре показывает количество чашек.
- ◆ Добавьте молотый кофе в соответствии с инструкциями в разделе «Заправка кофе».
- ◆ Поместите кувшин на поддон с подогревом.
- ◆ Подключите прибор к сети. На экране будет отображаться 12:00.
- ◆ Нажмите кнопку ON/OFF, один раз, загорится индикатор (ON/OFF).
- ◆ Через несколько секунд начнет выходить кофе.
- ◆ После приготовления кофе кувшин (F) можно снять. Противокапельная система предотвращает выход кофе, если кувшин не установлен должным образом. Тем не менее, время не может превышать 30 секунд, иначе фильтр может переполниться.
- ◆ Когда вы закончите готовить кофе, вы можете остановить машину.
- ◆ Если вы хотите остановить прибор, нажмите ON/OFF, и прибор остановит работу.
- ◆ В противном случае кофемашина автоматически переключится в режим Сохранение тепла и через 40 минут автоматически выключится.
- ◆ ВНИМАНИЕ! Не оставляйте кофемашину без присмотра во время приготовления кофе.

### По окончании работы прибора

- ◆ Остановите кофемашину.
- ◆ Вы можете нажать ON / OFF, чтобы остановить прибор, или просто оставить его, и он выключится автоматически через 40 минут
- ◆ Отключите прибор от сети.
- ◆ Очистите прибор.

## ИНСТРУКЦИИ ПО ПРОГРАММИРОВАНИЮ

### Функции дисплея:

- ◆ Четырехзначный дисплей на 24 часа, показывает текущее и запланированное время.
- ◆ Красный светодиод показывает, что прибор нагревается.
- ◆ Зеленый светодиод показывает, что устройство ожидает таймер.
- ◆ Когда прибор подключен к сети, и оба светодиода выключены, на дисплее будет отображаться либо текущее время, либо предварительно установленное время.

### Нажимные кнопки:

- ◆ **Кнопка «ON/OFF»** Если вы нажмете кнопку «ON/OFF», прибор начнет приготовление кофе.
- ◆ Прибор автоматически выключится через 40 минут, а на дисплее отобразится текущее время.
- ◆ Нажмите эту кнопку, когда горит зеленый светодиод, или если вы хотите отменить запланированное время запуска.
- ◆ **Кнопка «AUTO»:** Это кнопка для автоматического запуска кофемашины.
- ◆ **Кнопка «PROG»:** Чтобы установить таймер, вы должны нажать кнопку «PROG» один раз и задать необходимое время.
- ◆ Затем снова нажмите «PROG», чтобы перевести устройство в режим ожидания (зеленый светодиод будет гореть).
- ◆ Если вы нажмете кнопку «AUTO», это действие отменит запрограммированный таймер.

## Конфигурация программы «PROG»

### 1. Установка текущего времени.

- ◆ Подключите прибор к сети, и система покажет 12:00, моргание.
- ◆ Нажмите и удерживайте кнопку «PROG» в течение 3 секунд, «SET TIME» появится на экране в верхнем левом углу
- ◆ Нажмите «HR», чтобы настроить время.
- ◆ Нажмите «MIN», чтобы настроить минуты.
- ◆ Нажмите еще раз и удерживайте кнопку «PROG» в течение 3 секунд после завершения установки времени. В противном случае предварительно установленное время будет отменено через 10 секунд.
- ◆ Если вы отключите устройство от сети, предварительно установленное время будет отменено, для

последующего использования прибора потребуются вновь задать его.

### 2. Установка времени

- ◆ Нажмите и удерживайте кнопку «PROG» (дважды) в течение 0,5 секунд для определения настроек прибора.
- ◆ Слово «SET TIME» будет мигать в право верхнем углу.
- ◆ Нажмите кнопку «HR» для установки часов и нажмите «MIN» для установки минут.
- ◆ Нажмите и удерживайте кнопку «PROG» в течение 0,5 секунд для подтверждения.
- ◆ Нажмите кнопку «AUTO», чтобы переключить устройство в режим ожидания таймера (загорится зеленый светодиод).
- ◆ Нажмите кнопку «AUTO» еще раз, чтобы отключить режим ожидания. Возобновите ожидание, снова нажав кнопку «AUTO».
- ◆ Нажмите и удерживайте кнопку «PROG» в течение 0,5 секунд, чтобы проверить заданное время таймера..
- ◆ Нажмите «PROG» еще раз для подтверждения, и дисплей вновь покажет текущее время.
- ◆ Нажмите «ON / OFF» в любое время, чтобы включить прибор, и загорится красный светодиод.
- ◆ Прибор начнет работать в заданное время (загорится красный светодиод). Прибор автоматически выключится через 2 часа, а на жидкокристаллическом дисплее отобразится текущее время.
- ◆ Регулируемый диапазон времени: 23 часа 59 минут.
- ◆ Кнопка времени «HR»: эта кнопка будет использоваться только для установки времени. Нажмите и удерживайте эту кнопку в течение 0,5 секунды для увеличения каждого часа. Удержание этой кнопки позволит быстро задать настройки времени.
- ◆ Минутная кнопка «MIN»: так же, как настройка «HR».
- ◆ **ВНИМАНИЕ!** Не оставляйте кофемашину без присмотра во время приготовления кофе.

### По окончании работы прибора

- ◆ Остановите кофемашину.
- ◆ Вы можете нажать ON/OFF, чтобы остановить прибор, или просто оставить его, и он выключится автоматически через 40 минут.
- ◆ Отключите прибор от сети.
- ◆ Очистка фильтра.

## ОЧИСТКА

- ◆ Отсоедините прибор от сети после использования, чтобы он остыл перед чисткой.
- ◆ Очистите прибор, используя влажную ткань и несколько капель чистящей жидкости, а затем сухую ткань.
- ◆ Не допускается использовать растворители или продукты на основе кислоты или с высоким уровнем pH, например, отбеливатель, а также абразивные чистящие вещества.
- ◆ Если прибор не будет содержаться в чистом состоянии, его поверхность может быть повреждена, срок службы сокращен или даже его использование станет небезопасным.
- ◆ Для очистки постоянного фильтра опорожните его и промойте проточной водой.
- ◆ вы можете мыть в посудомоечной машине следующие части:
  - Чаша
- ◆ Затем просушите все части перед сборкой.

### Очистка отложений:

- ◆ для правильной работы в чайнике не должно быть отложений и накипи, которые образуются от использования с жесткой водой;
- ◆ Во избежание подобного рода проблем рекомендуется использовать воду с низким содержанием известняка или магния.
- ◆ В любом случае, если невозможно использовать воду, рекомендованную выше, вам следует периодически проводить очистку прибора от накипи с периодичностью:
  - Каждые 6 недель, если вода очень жесткая.
  - Каждые 12 недель, если вода жесткая.
  - Если время, необходимое для приготовления кофе, значительно увеличивается
- ◆ для удаления накипи нужно использовать специальное средство;
- ◆ При очистке прибора от накипи не рекомендуется использовать домашние растворы, например, на основе уксуса.

## НЕИСПРАВНОСТИ И РЕМОНТ

- ◆ В случае неисправности отнесите электроприбор в сервисный центр. Не пытайтесь самостоятельно ремонтировать электроприбор — это может быть опасно.

**Для изделий в версии ЕС и/или, если этого требует законодательство в вашей стране:**

### Экология и вторичное использование

- ◆ Материалы упаковки прибора принимаются системой сбора и сортировки материалов для вторичного их использования. Для утилизации используйте бытовые контейнеры для каждого типа мусора.
- ◆ В изделии нет веществ в концентрациях, которые считаются вредными для окружающей среды.



Этот значок означает, что после окончания срока службы для утилизации электроприбора отнесите его в пункт сбора электрических и электронных отходов (WEEE)

Этот прибор выполнен в соответствии с Директивой по низковольтному оборудованию 2014/35/EU, Директивой по электромагнитной совместимости 2014/30/EU, Директивой 2011/65/EU, ограничивающей использование некоторых опасных веществ в электрическом и электронном оборудовании, а также Директивой 2009/125/ЕС по экологическим требованиям к изделиям, потребляющим энергию.

### ГАРАНТИЯ И ТЕХНИЧЕСКАЯ ПОДДЕРЖКА

Этот продукт защищен юридической гарантией в соответствии с действующим законодательством. Чтобы обеспечить соблюдение ваших прав или интересов, вы должны обратиться в любую из наших официальных служб по технической поддержке клиентов.

Вы можете найти ближайшие из центров, пройдя по следующей веб-ссылке: <http://www.2helpu.com/>

Вы также можете запросить соответствующую информацию, связавшись с нами (см. последнюю страницу руководства).

Вы можете скачать эту инструкцию и ее обновления на сайте <http://www.2helpu.com/>

## Cafetieră programabilă BXCO1000E

### Stimate client,

Vă mulțumim pentru că ați cumpărat un produs marca Black + Decker.

Datorită tehnologiei sale, designului și modului de funcționare, precum și faptului că depășește cele mai stricte standarde de calitate, se poate garanta o utilizare complet satisfăcătoare și de lungă durată a produsului.

- ◆ Înainte de a porni aparatul, citiți cu atenție aceste instrucțiuni și păstrați-le pentru a le putea consulta în viitor. Nerespectarea acestor instrucțiuni poate provoca un accident.

## RECOMANDĂRI ȘI AVERTIZĂRI PRIVIND SIGURANȚA

- ◆ Acest aparat este destinat utilizării în gospodărie, nu celei profesionale sau industriale. Nu este destinat utilizării de către clienți în medii de tip hotel, de exemplu pensiuni, hoteluri, moteluri și alte tipuri de medii rezidențiale, chiar și case țărănești, în zonele de bucătărie rezervate personalului din magazine, birouri și alte medii de lucru.
- ◆ Înainte de utilizare, curățați toate componentele produsului care vor fi în contact cu alimentele, așa cum este indicat în secțiunea de curățare.
- ◆ Acest aparat poate fi utilizat de către persoane cu capacități fizice, senzoriale sau mentale reduse sau fără experiență și cunoștințe în cazul în care acestora li se asigură supraveghere sau au fost instruite cu privire la utilizarea aparatului într-un mod sigur și înțeleg pericolele implicate.
- ◆ Acest aparat poate fi utilizat de copii cu vârsta de cel puțin 8 ani, sub supraveghere sau cu instrucțiuni privind utilizarea aparatului în condiții de siguranță și dacă înțeleg pericolele prezentate de acesta.
- ◆ Curățarea și întreținerea destinate utilizatorului nu trebuie efectuate de copii decât dacă au vârsta de cel puțin 8 ani și sunt supravegheați.
- ◆ Nu lăsați aparatul și cablul acestuia la îndemâna copiilor cu vârsta de sub 8 ani.
- ◆ Acest aparat nu este o jucărie. Copiii trebuie supravegheați, pentru a vă asigura că nu se joacă cu aparatul.
- ◆ Nu introduceți niciodată aparatul în apă sau în orice alt lichid și nici nu țineți aparatul sub jet de apă.
- ◆ În cazul în care conexiunea la rețeaua de alimentare a fost avariata, aceasta trebuie înlocuită, iar aparatul trebuie dus la un service de asistență tehnică autorizat. Nu încercați să dezasamblați sau să reparați aparatul pe cont propriu, pentru a evita pericolele.
- ◆ Înainte de a brânza aparatul, verificați dacă tensiunea de pe plăcuța de identificare a aparatului corespunde celei de la rețeaua de

## alimentare.

- ◆ Conectați aparatul la o priză cu împământare de minim 10 amperi.
- ◆ Ștecărul aparatului trebuie să intre corect în priză. Nu modificați ștecărul. Nu utilizați adaptoare pentru ștecăre.
- ◆ Nu forțați cablul de alimentare. Nu utilizați niciodată cablul de alimentare pentru a ridica, transporta sau deconecta aparatul.
- ◆ Nu înfășurați cablul electric în jurul aparatului.
- ◆ Nu prindeți cu cleme și nu pliați cablul de alimentare.
- ◆ Nu lăsați cablul de alimentare să intre în contact cu suprafețele fierbinți ale aparatului.
- ◆ Verificați starea cablului de alimentare. Cablurile deteriorate sau încurcate măresc riscul de electrocutare.
- ◆ Nu atingeți ștecărul cu mâinile ude.
- ◆ Nu utilizați aparatul dacă acesta are ștecărul sau cablul de alimentare deteriorat.
- ◆ Dacă una din părțile carcasi aparatului se sparge, deconectați imediat aparatul de la rețea, pentru a preveni posibilitatea unui șoc electric.
- ◆ Nu utilizați aparatul dacă a fost scăpat pe podea, dacă există semne vizibile de deteriorare sau dacă prezintă scurgeri.
- ◆ Nu puneți aparatul pe suprafețe fierbinți, cum ar fi plite, arzătoare cu gaz, cuptoare sau alte dispozitive asemănătoare.
- ◆ Aparatul trebuie utilizat și amplasat pe o suprafață plană și stabilă.
- ◆ Acest aparat nu este adecvat pentru utilizarea în exterior.
- ◆ Cablul de alimentare trebuie examinat cu regularitate pentru semne de uzură, iar dacă acesta este deteriorat, aparatul nu trebuie utilizat.
- ◆ Nu utilizați aparatul, în cazul persoanelor insensibile la căldură (deoarece aparatul are suprafețe încălzite).
- ◆ Nu atingeți părțile încălzite ale aparatului, deoarece ele vă pot produce arsuri grave.

### Utilizare și îngrijire:

- ◆ Desfășurați complet cablul de alimentare al aparatului înainte de fiecare utilizare.
- ◆ Nu utilizați aparatul fără filtrul (filtrele) acestuia poziționate corect.
- ◆ Nu porniți aparatul fără să aibă apă.
- ◆ Nu utilizați aparatul dacă întrerupătorul pornit/oprit nu funcționează.
- ◆ Nu mișcați aparatul în timpul utilizării.
- ◆ Respectați nivelurile MAX și MIN (E).

- ◆ Deconectați aparatul de la rețeaua de alimentare atunci când nu îl utilizați și înainte de a-l curăța.
- ◆ Înainte de a umple rezervorul de apă, scoateți aparatul din priză.
- ◆ Depozitați acest aparat într-un loc care să nu fie la îndemâna copiilor și/sau a persoanelor cu capacități fizice, senzoriale sau mentale reduse, ori care nu au experiență sau cunoștințele necesare.
- ◆ Nu depozitați aparatul dacă este încă fierbinte.
- ◆ Utilizați numai apă pentru aparat.
- ◆ Nu lăsați niciodată aparatul conectat și nesupravegheat dacă nu este utilizat. Astfel se economisește energie și se prelungește durata de viață a aparatului.
- ◆ **ATENȚIE!** Nu utilizați aparatul dacă sticla este fisurată sau spartă.

### Service:

- ◆ Orice utilizare necorespunzătoare sau nerespectare a instrucțiunilor determină garanția și responsabilitățile producătorului să devină nule și neavenite.

## DESCRIERE

- A Capac
- B Pâlnie suport filtru
- C Filtru permanent
- D Rezervor de apă
- E Nivel apă
- F Cană de sticlă
- G Placă pentru păstrarea căldurii
- H Buton PROG (Program)
- I Buton ON/OFF (Pornit/Oprit)
- J Buton MIN (Minute)
- K Buton Hours (Ore)
- K1 Buton Auto
- L Lingură
- M Cablu de alimentare

## INSTRUCȚIUNI DE UTILIZARE

### Înainte de utilizare:

- ◆ Asigurați-vă că ați înlăturat toate ambalajele produsului.
- ◆ Înainte de utilizarea produsului pentru prima dată, recomandăm operarea doar cu apă.

### Umplerea cu apă:

- ◆ Înainte de a porni aparatul trebuie să umpleți compartimentul pentru apă.
- ◆ Deschideți capacul (A).
- ◆ Umpleți recipientul (D) cu respectarea nivelului MAX. (E) cu numărul de cești de apă corespunzător numărului de cești de cafea pe care doriți să îl obțineți.
- ◆ Închideți capacul (A).

### Umplerea cu cafea:

- ◆ Îndepărtați filtrul permanent (C) de pe suportul de filtru (B).
- ◆ Umpleți filtrul detașabil (C) cu cafea măcinată (folosiți 6-7 grame de cafea măcinată pentru fiecare ceașcă de cafea dorită).
- ◆ Verificați dacă filtrul detașabil este poziționat corect în suportul filtrului și că capacul (A) este bine închis.
- ◆ Puteți folosi lingura de măsurare (L) pentru adăugarea de cafea.

## UTILIZARE

### Înainte de prima utilizare

- ◆ Pentru a asigura o cafea excelentă de la prima ceașcă, recomandăm clătirea cu apă caldă după cum urmează:
- ◆ Turnați 1,25 L de apă în recipient (D).
- ◆ Așezați filtrul permanent (C) în pâlnia (B), gol, fără cafea și închideți capacul (A) al cafetierei.
- ◆ Așezați cana (F) pe plita de încălzire (G).
- ◆ Conectați la rețeaua electrică. Pe ecran va fi afișat 12:00.
- ◆ Apăsăți butonul ON/OFF (Pornit/Oprit) o dată (indicatorul roșu ON/OFF se va aprinde). Înseamnă că mașina este conectată.
- ◆ Apa va începe să curgă în câteva secunde.
- ◆ Când apa încetează să curgă, goliți cana, curățați filtrul permanent (C) și pâlnia (B).
- ◆ Cafetiera este pregătită pentru a prepara cafea.
- ◆ Dacă doriți să opriți mașina, apăsați ON/OFF (Pornit/Oprit) și mașina se va opri.

### Pentru a prepara cafeaua direct, fără programare

- ◆ Umpleți recipientul (D) cu apă rece conform secțiunii Umplerea cu apă.
- ◆ Utilizați cantitatea de apă de care aveți nevoie.
- ◆ Nivelul apei din cană și rezervor indică numărul de cești

- ◆ Adăugați cafea măcinată conform secțiunii Umplerea cu cafea.
- ◆ Puneți cana pe plita de încălzire.
- ◆ Conectați la rețeaua electrică. Pe ecran va fi afișat 12:00.
- ◆ Apăsăți butonul ON/OFF (Pornire/Oprire) o dată, indicatorul roșu se va aprinde.
- ◆ Cafeaua va începe să curgă în câteva secunde.
- ◆ Cana (F) poate fi îndepărtată în timp ce cafeaua este în curs de preparare. Sistemul anticurcare împiedică scurgerea cafelei atunci când cana nu este la locul ei. Totuși, timpul nu poate depăși 30 secunde, altfel filtrul poate să se reverse peste marginea pâlniei.
- ◆ Când terminați prepararea cafelei, puteți opri mașina.
- ◆ Dacă doriți să opriți mașina, apăsați ON/OFF (Pornit/Oprit) și mașina se va opri.
- ◆ În caz contrar, cafetiera se va comuta automat pe funcția de păstrare a căldurii, iar după 40 minute, cafetiera se va opri automat.
- ◆ AVERTIZARE: Nu lăsați cafetiera nesupravegheată în cursul preparării cafelei.

### Odată ce aparatul a terminat

- ◆ Opriți aparatul.
- ◆ Puteți apăsa ON/OFF pentru oprire sau să îl lăsați să se oprească automat după 40 minute.
- ◆ Deconectați aparatul de la rețeaua electrică.
- ◆ Curățați dispozitivul.

## INSTRUCȚIUNI DE PROGRAMARE

### Funcții afișaj:

- ◆ Afișaj cu patru cifre pentru 24 de ore, arată ora curentă și ora programată.
- ◆ LED-ul roșu indică faptul că aparatul se încălzește.
- ◆ LED-ul verde indică faptul că dispozitivul așteaptă temporizatorul.
- ◆ Când ștecărul este conectat la priză și ambele LED-uri sunt stinse, afișajul va arăta fie ora curentă, fie ora presetată.

### Butoane de comandă

- ◆ Buton „ON/OFF” (Pornire/Oprire). Dacă apăsați butonul „ON/OFF” (Pornire/Oprire), aparatul va începe să pregătească cafeaua.
- ◆ Aparatul se va opri automat după 40 minute și apoi pe afișaj va apărea ora curentă.
- ◆ Apăsăți acest buton atunci când LED-ul verde este



apriși și doriți să anulați ora de pornire programată.

- ◆ Butonul „AUTO”: Acesta este comutatorul de pornire automată.
- ◆ Butonul „PROG”: Pentru a seta temporizatorul, trebuie să apăsați o dată butonul „PROG” pentru a începe setarea timpului necesar.
- ◆ Apoi apăsați din nou „PROG” pentru a schimba starea dispozitivului în starea de așteptare (indicată de aprinderea LED-ului verde).
- ◆ Dacă apăsați pe „AUTO”, se va anula programarea presetată a temporizatorului.

## Configurarea programării „PROG”

### 1. Setarea orei curente:

- ◆ Conectați-vă la rețea și sistemul va afișa ora 12:00, clipește.
- ◆ Apăsați și țineți apăsat butonul „PROG” timp de 3 secunde, „SET TIME” va apărea pe ecran în colțul din stânga sus.
- ◆ Apăsați „HR” pentru a seta ora.
- ◆ Apăsați „MIN” pentru a seta minutele.
- ◆ Apăsați și țineți apăsat butonul „PROG” din nou, timp de 3 secunde după ce ați setat ora. În caz contrar, ora presetată va fi anulată după 10 secunde.
- ◆ Dacă deconectați dispozitivul, ora presetată va fi anulată și va fi necesară o repornire după conectarea dispozitivului la următoarea utilizare.

### 2. Setarea timpului:

- ◆ Apăsați și țineți apăsat butonul „PROG” (de două ori) din nou, timp de 0,5 secunde pentru a introduce setările.
- ◆ Cuvântul „SET TIMER” va apărea intermitent în colțul din dreapta sus.
- ◆ Apăsați butonul „HR” pentru setarea orelor și apăsați „MIN” pentru setarea minutelor.
- ◆ Apăsați și țineți apăsat butonul „PROG” timp de 0,5 secunde pentru a confirma.
- ◆ Apăsați butonul „AUTO” pentru a comuta dispozitivul în starea de așteptare a temporizatorului (LED-ul verde va fi aprins).
- ◆ Apăsați din nou butonul „AUTO” pentru a dezactiva starea de așteptare. Reluați starea de așteptare apăsând din nou butonul „AUTO”.
- ◆ Apăsați și țineți apăsat butonul „PROG” din nou, timp de 0,5 secunde pentru a verifica ora presetată a temporizatorului.
- ◆ Apăsați din nou „PROG” pentru confirmare și ecranul va reveni la ora curentă.
- ◆ Apăsați „ON/OFF” în orice moment pentru a porni

aparatul și LED-ul roșu se va aprinde.

- ◆ Dispozitivul va începe să funcționeze la ora presetată (LED-ul roșu va fi aprins). Dispozitivul se va opri automat după 2 ore și LCD-ul va afișa ora curentă.
- ◆ Interval orar reglabil: 23 ore și 59 de minute.
- ◆ butonul pentru oră „HR”: acest buton va fi utilizat numai pentru setarea orei. Apăsați și țineți apăsat acest buton timp de 0,5 secunde pentru fiecare setare în ordine crescătoare a orei. Apăsarea continuă a acestui buton va face ca setările de timp să fie executate rapid.
- ◆ butonul pentru minute „MIN”: se utilizează la fel ca și setarea „HR”.
- ◆ AVERTIZARE: Nu lăsați cafetiera nesupravegheată în cursul preparării cafelei.

### Odată ce aparatul a terminat

- ◆ Opriți aparatul.
- ◆ Puteți apăsa ON/OFF pentru oprire sau să îl lăsați să se oprească automat după 40 minute.
- ◆ Deconectați aparatul de la rețeaua electrică.
- ◆ Curățați dispozitivul.

## CURĂȚAREA

- ◆ Decuplați aparatul de la priză și lăsați-l să se răcească înaintea oricărei operații de curățare.
- ◆ Curățați aparatul cu o cârpă umedă și câteva picături de detergent lichid, apoi uscați-l.
- ◆ Nu utilizați solvenți sau produse cu pH acid sau bazic, precum înălbitori sau produse abrazive, pentru curățarea aparatului.
- ◆ Dacă aparatul nu este bine curățat, suprafața acestuia se poate deteriora, afectând în mod inevitabil durata de funcționare, devenind nesigur pentru utilizare.
- ◆ Pentru curățarea filtrului permanent, goliți-l și clătiți-l cu apă de la robinet.
- ◆ Următoarele piese pot fi spălate în mașina de spălat vase (utilizând un program de curățare delicată):
  - Cană
- ◆ Apoi uscați toate piesele înainte de asamblare și depozitare.

### Tratarea depunerilor de tartru:

- ◆ Pentru ca aparatul să funcționeze corect, trebuie menținut fără depunerile de tartru sau magneziu create prin folosirea apei dure.
- ◆ Pentru a evita acest tip de problemă, se recomandă utilizarea apei calcaroase sau magneziene slab mineralizate.



- ◆ În orice caz, dacă nu este posibil să utilizați tipul de apă recomandat mai sus, trebuie să efectuați periodic un tratament de decalcifiere al aparatului, cu o periodicitate de:
  - La fiecare 6 săptămâni dacă apa este „foarte dură”.
  - La fiecare 12 săptămâni dacă apa este „dură”.
  - Dacă timpul necesar pentru a face o cană de cafea crește considerabil
- ◆ Un produs anti-calcar specific trebuie utilizat la acest tip de aparat.
- ◆ Soluțiile făcute în casă, cum ar fi utilizarea oțetului, nu sunt recomandate în tratamentele de decalcifiere ale aparatului.

## ANOMALII ȘI REPARAȚII

- ◆ Duceți aparatul la un service de asistență tehnică autorizat, dacă produsul este deteriorat sau apar alte probleme. Nu încercați să demontați sau să reparați singur aparatul, deoarece poate fi periculos.

**Pentru versiunile UE ale produsului și/sau în cazul în care este obligatoriu în țară dvs.:**

### Ecologia și reciclarea produsului

- ◆ Materialele din care este alcătuit ambalajul acestui produs sunt incluse într-un sistem de colectare, clasificare și reciclare. Dacă veți dori să le eliminați, utilizați pubelele publice corespunzătoare fiecărui tip de material.
- ◆ Produsul nu conține substanțe în concentrații care ar putea fi considerate dăunătoare pentru mediu.



Acest simbol înseamnă că, în cazul în care doriți să aruncați aparatul la încheierea duratei sale de funcționare, trebuie să îl duceți la un centru de colectare a deșeurilor autorizat, pentru colectarea selectivă a Deșeurilor provenite de la Echipamente Electrice și Electronice (DEEE).

Acest aparat respectă Directiva 2014/35/UE cu privire la echipamentele electrice destinate utilizării în cadrul unor anumite limite de tensiune, Directiva 2014/30/UE cu privire la compatibilitatea electromagnetică, Directiva 2011/65/UE privind restricțiile de utilizare a anumitor substanțe periculoase în echipamentele electrice și electronice, precum și Directiva 2009/125/CE de instituire a unui cadru pentru stabilirea cerințelor în materie de proiectare ecologică aplicabile produselor cu impact energetic.

## GARANȚIE ȘI ASISTENȚĂ TEHNICĂ

Acest produs beneficiază de recunoașterea și protecția garanției legale în conformitate cu legislația în vigoare. Pentru a vă exercita drepturile sau interesele, trebuie să vă adresați unuia dintre serviciile noastre oficiale de asistență tehnică.

Puteți găsi cel mai apropiat serviciu de asistență tehnică accesând următorul link web: <http://www.2helpu.com/>

De asemenea, puteți solicita informații corelate, contactându-ne (consultați ultima pagină a manualului).

Puteți descărca acest manual de instrucțiuni și actualizările acestuia de pe site-ul <http://www.2helpu.com/>

**Кафеварка  
ВХСО1000Е****Уважаеми клиенти,**

Благодарим Ви, че закупихте електроуред с марка-таBlack + Decker

Технологията, дизайнът и функционалността на същия, както и фактът, че той надвишава най-стриктните норми за качество ще Ви донесат пълно и дълготрайно задоволство от него.

- ◆ Моля, прочетете внимателно тази брошура, преди да пуснете уреда в действие. Запазете я за по-нататъшни справки. Несъобразяването с настоящите указания може да стане причина за произшествие.

**СЪВЕТИ И ПРЕДУПРЕЖДЕНИЯ ЗА БЕЗОПАСНОСТ.**

- ◆ Този уред е предназначен единствено за битови нужди, а не за професионална или промишлена употреба. - Уредът не е предназначен за работа в ресторанти и заведения от вида "bed and breakfast", в хотели, мотели и други заведения за отдих, както и в обекти за селски туризъм, зони за готвене, запазени за личния състав на магазини, офиси и други видове работна среда.
- ◆ Преди да използвате ел. уреда за първи път, почистете всички части, намиращи се в допир с хранителните продукти, следвайки упътванията от раздел "Почистяване".
- ◆ Уредът може да се използва от лица с физически, сетивни и умствени увреждания, или от лица без опит от боравене с него, при

условие обаче, че се намират под надзор или са получили указания за безопасна работа с уреда, а също и че осъзнават възможните рискове.

- ◆ Уредът може да бъде използван от хора, които не умеят да боравят с този вид продукти, хора с физически увреждания или деца над 8 години, САМО И ЕДИНСТВЕНО ако се намират под надзора на възрастен или ако предварително им е обяснено как трябва да използват уреда по безопасен начин, а също и ако разбират съществуващите рискове.
- ◆ Деца следва да извършват почистването и поддръжката на уреда, единствено, ако са над 8 годишни и вършат това под надзора на възрастен човек.
- ◆ Съхранявайте уреда и защитавания кабел далеч от достъпа на деца под 8 години.
- ◆ Уредът не е играчка. Наблюдавайте децата, така че да не си играят с уреда.
- ◆ Не потапяйте уреда във вода или друга течност, и не го поставяйте под течаща вода.
- ◆ В случаите на повреден защитаван кабел, същият следва да се подмени. В такива случаи, моля отнесете уреда в оторизиран

сервиз за техническо обслужване. С цел избягване на произшествия, моля не поправяйте и не разглобявайте уреда.

- ◆ Преди да свържете уреда към мрежата, проверете, дали посоченото на табелката с техническите характеристики напрежение съвпада с напрежението на електрическата мрежа.
- ◆ Включете уреда в заземен източник на електрически ток, издържащ най-малко 10 ампера.
- ◆ Щепселът на уреда следва да съвпада по вид с електрическия контакт. В никакъв случай не променяйте вида на щепсела. Не използвайте адаптори за щепсела.
- ◆ Не упражнявайте сила върху електрическия кабел. В никакъв случай не използвайте електрическия кабел за повдигане, пренасяне или изключване на апарата.
- ◆ Не навивайте електрическия кабел около уреда.
- ◆ Не допускате притискане или прегъване на електрическия кабел.
- ◆ Не допускате електрическият кабел да се допира до горещите повърхности на уреда.
- ◆ Проверявайте състоянието на захранващия кабел. Ако кабелът е повреден или заплетен, опасността от електрически удар нараства.
- ◆ Не докосвайте щепсела за включване в мрежата с мокри ръце.
- ◆ Не използвайте уреда при повреден кабел или щепсел.
- ◆ Ако някоя външна част на уреда се повреди, незабавно го изключете от захранващата мрежа, за да предотвратите опасността от електроудар.
- ◆ Моля не използвайте уреда, ако е падал или ако има видими следи от увреждане.
- ◆ Не поставяйте уреда върху топли повърхности като плочи за готвене, газови котлони, фурни и др.
- ◆ Уредът следва да се постави и използва върху равна и стабилна повърхност.
- ◆ Този уред не е предназначен за употреба на открито.
- ◆ Проверявайте периодично състоянието на захранващия кабел. Не използвайте уреда, ако забележите следи от повреда.

- ◆ Моля, не използвайте уреда, ако сте нечувствителни към топлината, тъй като уредът има загрети повърхности.
- ◆ Моля, не пипайте загретите части на уреда - това може да предизвика изгаряния.

### Употреба и поддръжка :

- ◆ Преди употреба развийте напълно захранващия кабел на уреда..
- ◆ Не използвайте уреда, докато не се уверите, че филтъра/филтрите са поставени правилно.
- ◆ Не пускайте уреда в действие без вода.
- ◆ Не използвайте уреда при повреден бутон за вкл./изкл.
- ◆ Не движете уреда, докато работи.
- ◆ Спазвайте МАКСИМАЛНОТО И МИНИМАЛНОТО ниво(Е).
- ◆ Изключете уреда, когато не го използвате или когато се готвите да го почистите.
- ◆ Изключете уреда от ел. мрежата преди да напълните резервоара с вода.
- ◆ Съхранявайте уреда далеч от достъпа на деца и/или хора с намалени физически, сензорни или умствени възможности, или от такива без опит и познания за боравене с него.
- ◆ Не съхранявайте уреда, ако все още е топъл.
- ◆ Използвайте уреда единствено с вода.
- ◆ В никакъв случай не оставяйте включения уред без наблюдение. По този начин ще спестите енергия, а също и ще удължите живота на ел. уреда.
- ◆ **ВНИМАНИЕ!**: Не използвайте уреда, ако стъклото е пукнато или счупено.

### Обслужване на уреда:

- ◆ Неправилното използване на уреда или неспазването на указанията за работа с него е опасно, анулира гаранцията и освобождава производителя от отговорност.

## ОПИСАНИЕ

- A Капак
- B Фуния-филтродържач
- C Постоянен филтър
- D Резервоар за вода
- E Водно равнище
- F Кана
- G Загриваща плоча

## БЪЛГАРСКИ

- H Бутон „PROG“ („Програмиране“)
- I Бутон ON/OFF (Включване/Изключване)
- J Бутон „MIN“ („Минуты“)
- K Бутон „Hours“ („Часове“)
- K1 Бутон „Auto“
- L Дозираща лъжичка
- M Кабел за свързване към мрежата

## НАЧИН НА УПОТРЕБА

### Забележки преди употреба:

- ◆ Уверете се, че изцяло сте отстранили опаковката на уреда.
- ◆ Преди първата употребата на уреда, се препоръчва да се използва само с вода.

### Пълнене с вода:

- ◆ Преди включването на уреда задължително следва да напълните резервоара с вода .
- ◆ Отворете капака (A).
- ◆ Напълнете резервоара със студена вода (D).
- ◆ Напълнете резервоара, като внимавате да не надхвърлите равнище „MAX“ (E) съгласно броя чаши, които желаете да пригответе.
- ◆ Затворете капака (A).

### Пълнене с кафе:

- ◆ Извадете постоянния филтър (C) от отделението за филтри (B).
- ◆ Напълнете с мляно кафе подвижния филтър (C), (сложете по 6-7 гр. мляно кафе на чаша).
- ◆ Уверете се, че изваждаемият филтър е добре поставен във филтродържача, и че капакът (A) е добре затворен.
- ◆ Можете да използвате дозиращата лъжичка (L).

## УПОТРЕБА

### Преди употреба за първи път

- ◆ С цел да постигнете отлично кафе още от първата чаша, препоръчваме да измиете с хладка вода по следния начин:
- ◆ Излейте 1,25 л. вода в резервоар (D).
- ◆ Поставете постоянния филтър (C) във фунията (B), празен, без кафе, след което затворете капака (A) на кафеарката.

- ◆ Затворете капака и поставете каната върху плочата (G).
- ◆ Свържете към мрежата На екрана ще се изпише 12:00.
- ◆ Натиснете веднъж ON/OFF. Червената светлина светва, указвайки по този начин, че уредът е включен.
- ◆ След няколко секунди, водата ще започне да излиза.
- ◆ Когато водата престане да изтича, изпразнете каната, почистете постоянния филтър (C), а също и фунията (B).
- ◆ Машината е вече готова за приготвяне на кафе.
- ◆ Ако желаете да спрете машината, моля натиснете ON/OFF и тя ще спре.

### Приготвяне кафе направо, без програмиране

- ◆ Напълнете резервоара (D) със студена вода, според указаното в раздел „Пълнене с вода“.
- ◆ Добавете смляно кафе според раздел „Пълнене с кафе“.
- ◆ Поставете каната (F) върху нагревателната плоча.
- ◆ Свържете към мрежата На екрана ще се изпише 12:00.
- ◆ Натиснете веднъж ON/OFF. Червеният светлинен индикатор ще светне.
- ◆ След няколко секунди кафето ще започне да излиза.
- ◆ Каната (F) може да бъде извадена, докато кафето се приготвя. Системата срещу подливане позволява кафето да не се разсипва, когато каната не се намира в своето положение. При всички положения, ако каната се държи не във своето положение за повече от 30 секунди, преди всичката вода да премине през филтъра, възможно е при филтъра да се получи преливане.
- ◆ Когато завършите изготвянето на кафето, можете да спрете машината.
- ◆ Ако желаете да спрете машината, моля натиснете ON/OFF и тя ще спре.
- ◆ В противен случай кафе машината автоматично преминава в режим „Поддържане топло“. След изтичането 40 минути кафе машината се изключва автоматично.
- ◆ ВНИМАНИЕ: Не оставяйте кафеарката включена, докато се приготвя кафе.

### След приключване на работата с уреда:

- ◆ Спиране на уреда.
- ◆ Може да натиснете „ON/OFF“, за да спрете, или

просто можете да я оставите така, при което кафе машината ще се изключи сама след 40 минути.

- ◆ Изключете уреда от електрическата мрежа.
- ◆ Почистете уреда.

## УКАЗАНИЯ ЗА ПРОГРАМИРАНЕ

### Функции на визуализация:

- ◆ Екран с четири цифри за 24 часа, указващ както текущия, така и програмирация час.
- ◆ Червена светлина ЛЕД, указваща, че уредът загрева.
- ◆ Зелена светлина ЛЕД, указваща, че уредът се намира в изчакване на темпоризатора.
- ◆ При включен в контакта щепсел, и при изключени и двата индикатора ЛЕД, на екрана се изписва или текущия, или програмирация час.

### Бутони-пулсатори

- ◆ Бутон „ON/OFF“: Ако натиснете бутона „ON/OFF“, уредът започва да приготвя кафе.
- ◆ Уредът се изключва самостоятелно след 40 минути след което на екрана се изписва текущия час.
- ◆ Натиснете този бутон, когато зелената светлина ЛЕД е включена, и желаете да отмените програмирация начален час.
- ◆ Бутон „AUTO“: това е прекъсвачът за автоматично задействане.
- ◆ Бутон „PROG“: За програмиране на темпоризатора следва да натиснете веднъж бутона „PROG“, като по този начин започнете да нагласяне изисквания час.
- ◆ След това натиснете отново „PROG“, за да прехвърлите уреда в състояние на изчакване (указано от включена зелена светлина ЛЕД)
- ◆ При натискане на „AUTO“ отменяте предварително установената програма на темпоризатора.

### Нагласяне на програмата „PROG“

#### 1. Нагласяне на текущия час:

- ◆ Свържете с мрежата, и системата ще покаже 12:00, мига.
- ◆ Натиснете и дръжте натиснат бутон „PROG“ в продължение на 3 секунди. На екрана в горния ляв ъгъл ще се появи „SET TIME“.
- ◆ Натиснете „HR“, за да нагласите часа.
- ◆ Натиснете „MIN“, за да нагласите минутите.
- ◆ След приключване настройката на часа, отново натиснете и дръжте натиснат бутона „PROG“ за 3

секунди. В противен случай, предварително зададеното време ще се самоотмени след 10 секунди.

- ◆ Ако изключите уреда, предварително зададеният час ще се отмени. Тогава ще бъдете помолени да презаредите след включване на уреда при последващата употреба.

#### 2. Нагласяне на темпоризатора:

- ◆ За да влезете в режим „нагласяне“, натиснете и дръжте натиснат бутона „PROG“ (Два пъти) в продължение на 0,5 секунди.
- ◆ Ще се появи, примигвайки в ляв горен ъгъл, думата „SET TIMER“.
- ◆ Натиснете бутона „HR“, за да нагласите часовете, и натиснете „MIN“, за да нагласите минутите.
- ◆ Натиснете и дръжте натиснат бутона „PROG“ в продължение на 0,5 секунди, за да потвърдите.
- ◆ Натиснете бутона „AUTO“, за да прехвърлите уреда в изчаквателен режим на темпоризатора (зелената светлина ЛЕД ще е включена).
- ◆ Отново натиснете бутона „AUTO“, за да отмените изчаквателния режим. Подновете изчаквателния режим, натискайки отново бутона „AUTO“.
- ◆ да проверите предварително зададеното време на темпоризатора, дръжте натиснат бутона „PROG“ в продължение на 0.5 секунди.
- ◆ Натиснете отново „PROG“, за да потвърдите. Екранът ще започне отново да показва текущия час.
- ◆ да включите уреда, натиснете във всеки момент „ON/OFF“. Червения светлинен индикатор ще светне.
- ◆ Уредът започва да работи в предварително зададения час (червената светлина ЛЕД свети). Уредът се изключва от само себе си след изтичането на 2 часа, и екранът ЛСД ще започне да показва текущото време.
- ◆ Времени диапазон за нагласяне: 23 часа 59 минути.
- ◆ Бутон за часа „HR“: този бутон се използва само за нагласяне на часа. Дръжте този бутон натиснат в продължение на 0.5 секунди за всяко увеличение на часа. Държането на този бутон натиснат прави така, че нагласянето на часа да става бързо.
- ◆ Бутон за минути „MIN“: постъпва се по същия начин, както при нагласянето на часа „HR“.
- ◆ ВНИМАНИЕ: Не оставяйте кафеварката включена, докато се приготвя кафе.

#### След приключване на работата с уреда:

- ◆ Спиране на уреда.
- ◆ Може да натиснете „ON/OFF“, за да спрете, или просто можете да я оставите така, при което кафе

машината ще се изключи сама след 40 минути.

- ◆ Изключете уреда от електрическата мрежа.
- ◆ Почистете уреда.

## ПОЧИСТВАНЕ

- ◆ Изключете уреда от захранващата мрежа и го оставете да се изстине, преди да започнете да го почиствате.
- ◆ Почистете уреда с влажна кърпа, напоена с няколко капки миеш препарат, след което го подсушете.
- ◆ За почистването на уреда не използвайте разтворители и препарати с киселинен или основен рН фактор, като например белина и абразивни продукти.
- ◆ Ако не поддържате уреда чист, повърхността му може да се повреди и това да съкрати безвъзвратно експлоатационния му живот, а също и да стане причина за рискова ситуация.
- ◆ За почистване на постоянния филтър, моля изпразнете го и го изплакнете с течаща вода.
- ◆ Следните части могат да се мият в топла сапунена вода или в миялна машина (използвайте мека програма за миене):
  - Кана.
- ◆ След това, подсушете добре всички части, поставете ги обратно и съхранете уреда.

### Обработка на калцираните отлагания:

- ◆ За правилното функциониране на уреда, той трябва да е почистен от котлен камък или магнезий, които се отлагат при използване на силно варовита вода.
- ◆ За да предотвратите този проблем, Ви препоръчваме да използвате вода с ниско съдържание на варовик или магнезий.
- ◆ Въпреки това, ако не е възможно използването на препоръчаният по-горе вид вода, трябва да пристъпите към периодичната обработка на уреда за намаляване на котления камък, с периодичност от:
  - 6 седмици, ако водата е с висока твърдост.
  - 12 седмици, ако водата е твърда.
  - В случай, че необходимото за приготвяне на една кана кафе нараства значително.
- ◆ За това трябва да използвате антиваровиков препарат специално за този вид уреди.
- ◆ Не се препоръчват домашни разтвори, така както използването на оцет при обработката за премахването на калция от уреда.

## НЕИЗПРАВНОСТИ И РЕ-МОНТ

- ◆ В случай на неизправност, моля отнесете уреда в оторизиран сервиз за техническо обслужване. Моля не се опитвайте да разглобявате уреда или пък да го поправяте - това е опасно.

### За разновидностите EU на това изделие и/или в случая, приложим за Вашата страна:

#### Опазване на околната среда и рециклиране на изделието.

- ◆ Материалите, от които изработена опаковката на този електроуред са включени в системата за тяхното събиране, класифициране и рециклиране. Ако желаете да се освободите от тях, използвайте обществения контейнери, пригодени за всеки отделен вид материал.
- ◆ В изделието отсъстват концентрации на вещества, които могат да бъдат определени като вредни за околната среда.



Този символ означава, че ако желаете да се освободите от уреда след изтичане на експлоатационния му живот трябва да го предадете по подходящ начин на фирма за преработка на отпадъци, оторизирана за разделно събиране на относно отпадъци от електрическо и електронно оборудване (OEEO).

Уредът изпълнява Директива 2014/35/UE за ниски напрежения, Директива 2014/30/UE за електромагнетично съответствие и с Директива 2011/65/EU за ограниченията при употреба на някои определени опасни вещества в електрически и електронни апарати и с Директива 2009/125/CE за изискванията за екологичен дизайн, приложими към изделия, свързани с енергия.

### ГАРАНЦИЯ И ТЕХНИЧЕСКИ СЕРВИЗ

Настоящият продукт има законна гаранция, в съответствие с действащото законодателство.

За да упражните правата си на потребител следва да се насочите към някой от нашите оторизирани сервизи. Най-близкия до Вас сервиз можете да откриете на следния линк: <http://www.2helpu.com/>  
Също така, можете да потърсите информация, свързвайки се с нас (вижте на последната страница на наръчника).

Наръчника с указания и неговите осъвременявания можете да свалите на следния <http://www.2helpu.com>

België/Belgique	Stanley Black & Decker Belgium BVBA Egide Walschaertsstraat 16 2800 Mechelen	www.blackanddecker.be enduser.BE@SBDinc.com Tel - NL. +32 15 47 37 65 Tel – FR. +32 15 47 37 66
Bulgaria	Stanley Black&Decker Polska Bucharest Branch Phoenicia Business Center Turturelelor Street, No 11A, 6th Floor,Module 15, 3rd District. Bucharest (Romania)	office.bucharest@sbdinc.com Tel. +4021.320.61.04.
Česká Republika	Stanley Black & Decker Czech Republic s.r.o. Chodov Türkova 2319/5b 149 00 Praha 4 Česká Republika	www.blackanddecker.cz recepce@blackanddecker.cz Tel: 261 009 782
Danmark	Stanley Black & Decker Denmark Roskildevej 22 2620 Albertslund	www.blackanddecker.dk kundeservice.dk@sbdinc.com Tel. 70 20 15 10 Fax. 70 22 49 10
Deutschland	Stanley Black & Decker Deutschland GmbH Black & Decker Str. 40, D - 65510 Idstein	www.blackanddecker.de infobfge@sbdinc.com Tel. 06126 21-0 Fax 06126 21-2980
Ελλάδα	Black & Decker ΕΛΛΑΣ ΕΔΡΑ-ΓΡΑΦΕΙΑ : Σπράβωνος 7 & Λ. Βουλιαγμένης. 166 74 Γλυφάδα - Αθήνα SERVICE : Ημερος Τόπος 2 (Χάνι Αδάμ) - 193 00 Ασπρόπυργος	www.blackanddecker.gr Greece.Service@sbdinc.com Τηλ: 00302108981616 Φαξ: 00302108983570
España	Engineering and Technology for Life Spain Avenida Barcelona s/n 25790 Oliana (Lleida)	www.blackanddecker.es service.spain@etforlife.com
France	Engineering and Technology for Life France 6 rue de l'Industrie Z.I des Sablons 89100 Sens	www.blackanddecker.fr service.france@etforlife.com
Helvetia	ROFO AG Gewerbezone Seeblick 3213 Kleinbösingen	www.blackanddecker.ch service@rofoag.ch Tel. 026 674 93 93 Fax 026 674 93 94
Hungary	Stanley Black & Decker Hungary Kft. Meszaros u. 58/B 1016 Budapest (Hungary)	www.blackanddecker.hu Tel: 1.6 225-1661 / 62
Italia	Stanley Black & Decker Italia Via Energy park 6 c/o Energy park Building 3 sud 20871 Vimercate (MB)	www.blackanddecker.it service.italia@blackdecker.com Tel. 800-213935 Fax 039-9590313
Nederland	Stanley Black & Decker Netherlands BV Holtum Noordweg 35 6121 RE BORN Postbus 83. 6120 AB BORN	www.blackanddecker.nl enduser.NL@SBDinc.com Tel. +31 164 283 065 Fax +31 164 283 200
Norge	Stanley Black & Decker Norway AS Gullhaugveien 11, 0484 Oslo PB 4613, Nydalen, 0405 Oslo	www.blackanddecker.no kundeservice.no@sbdinc.com Tlf. 22 90 99 10 Fax 45 25 08 00

Österreich	Stanley Black & Decker Austria GmbH Oberlaaerstraße 248, A-1230 Wien	www.blackanddecker.at service.austria@sbdinc.com Tel. 01 66116-0 Fax 01 66116-614
Polska	Stanley Black & Decker Polska SP.z.o.o ul. Postepu 21D 02-676 Warszawa Polska	www.blackanddecker.pl reception.warsaw@sbdinc.com Tel: 22 4642700
Portugal	Engineering and Technology for Life Portugal Avenida Rainha D. Amélia, n°12-B 1600-677 Lisboa	www.blackanddecker.pt service.portugal@etforlife.com
Romania	Stanley Black&Decker Polska Bucharest Branch Phoenicia Business Center Turturelelor Street, No 11A, 6th Floor,Module 15, 3rd District. Bucharest (Romania)	office.bucharest@sbdinc.com Tel. +4021.320.61.04.
Slovenija	G-M&M, proizvodnja in marketing, d.o.o. Brvace 11 1290 Grosuplje (Slovenija)	G-M&M, proizvodnja in marketing, d.o.o. Brvace 11 1290 Grosuplje (Slovenija)
Suomi	Stanley Black & Decker Finland Oy Kumpulantie 13B, 00520 Helsinki PL 47, 00521 Helsinki	www.blackanddecker.fi asiakaspalvelu.fi@sbdinc.com Puh. 010 400 43 33 Faksi 0800 411 340
Sverige	Stanley Black & Decker Sweden AB Flöjelbergsgatan 1c, 431 35 Mölndal Box 94, 431 22 Mölndal	www.blackanddecker.se kundservice.se@sbdinc.com Tel. 031-68 60 60 Fax 031-68 60 80
United Kingdom & Republic Of Ireland	"Black & Decker Slough, Berkshire SL1 3YD 210 Bath Road "	www.blackanddecker.co.uk emeaservice@sbdinc.com Tel. 01753 511234