

Hailstone Series

Optimum All-In-One liquid cooler with Industrial Fans

user manual

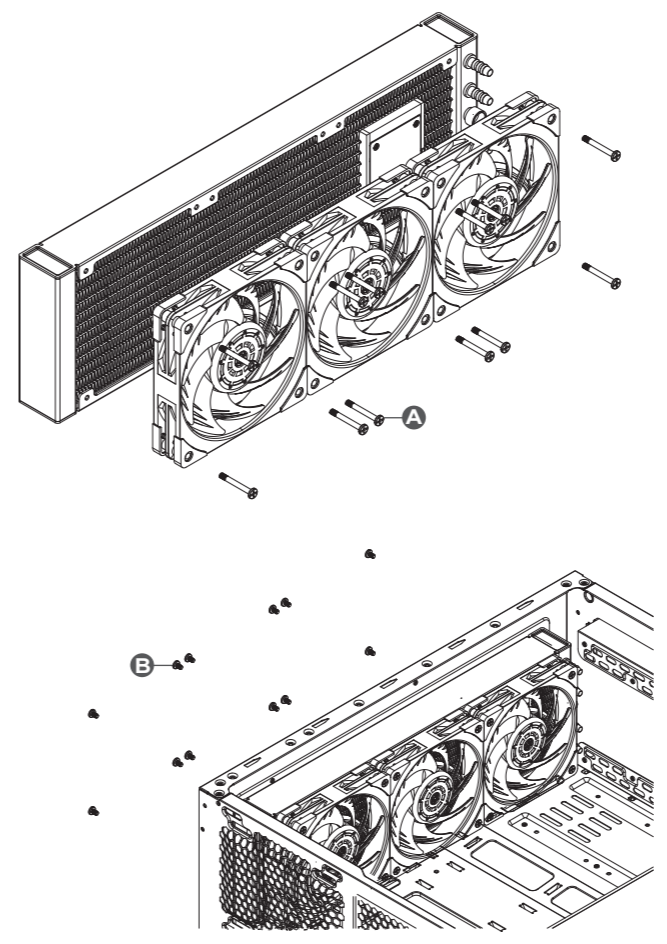
www.silverstonetek.com

SilverStone Technology Co., Ltd.
support@silverstonetek.com

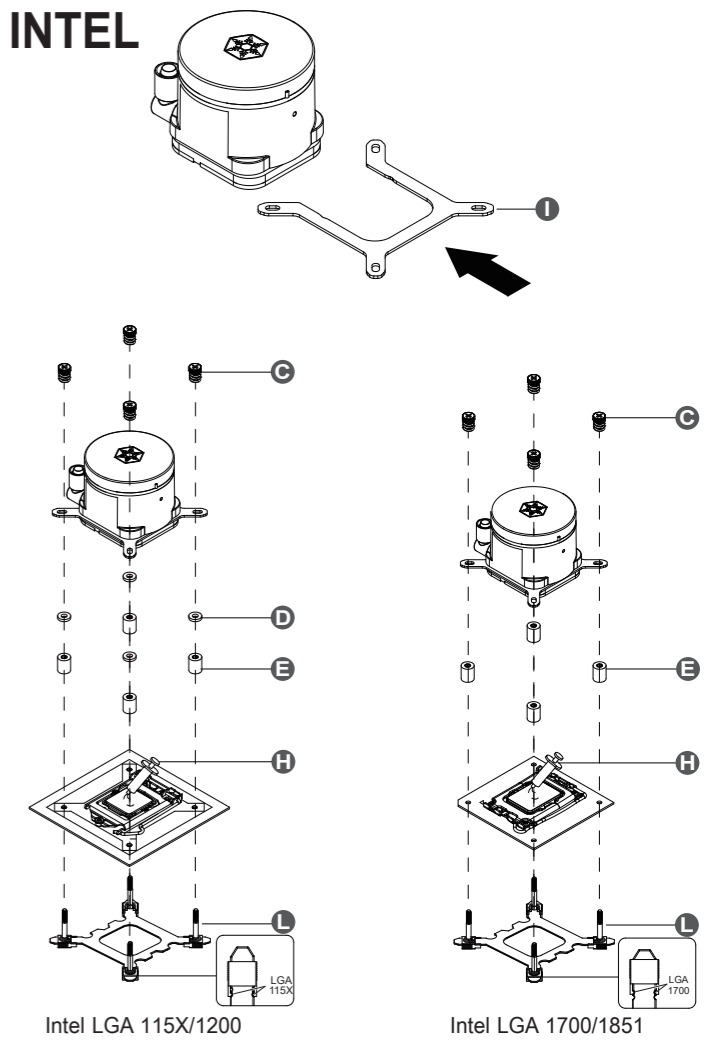
NO.G11256650

Contents

- | | | |
|--|--|--|
| A FAN SCREW x8 (240/280)
FAN SCREW x12 (360/420) | B CASE SCREW x8 (240/280)
CASE SCREW x12 (360/420) | C SPRING SCREW x4 |
| D LGA115x WASHER x4 | E LGA1700 SPACER x4 | F AM4/AM5 SCREW x4 |
| G TR4/TR5 SCREW x4 | H THERMAL GREASE x1 | I Intel CLIP x1 |
| J AM4/AM5 CLIP x1 | K TR4/TR5 CLIP x1 | L Intel BACK PLATE x1 |
| M 4PIN PERIPHERAL ADAPTER CABLE x1 | N 3 IN 1 FAN CABLE x1(360/420) | O 2 IN 1 FAN CABLE x1 (240/280) |



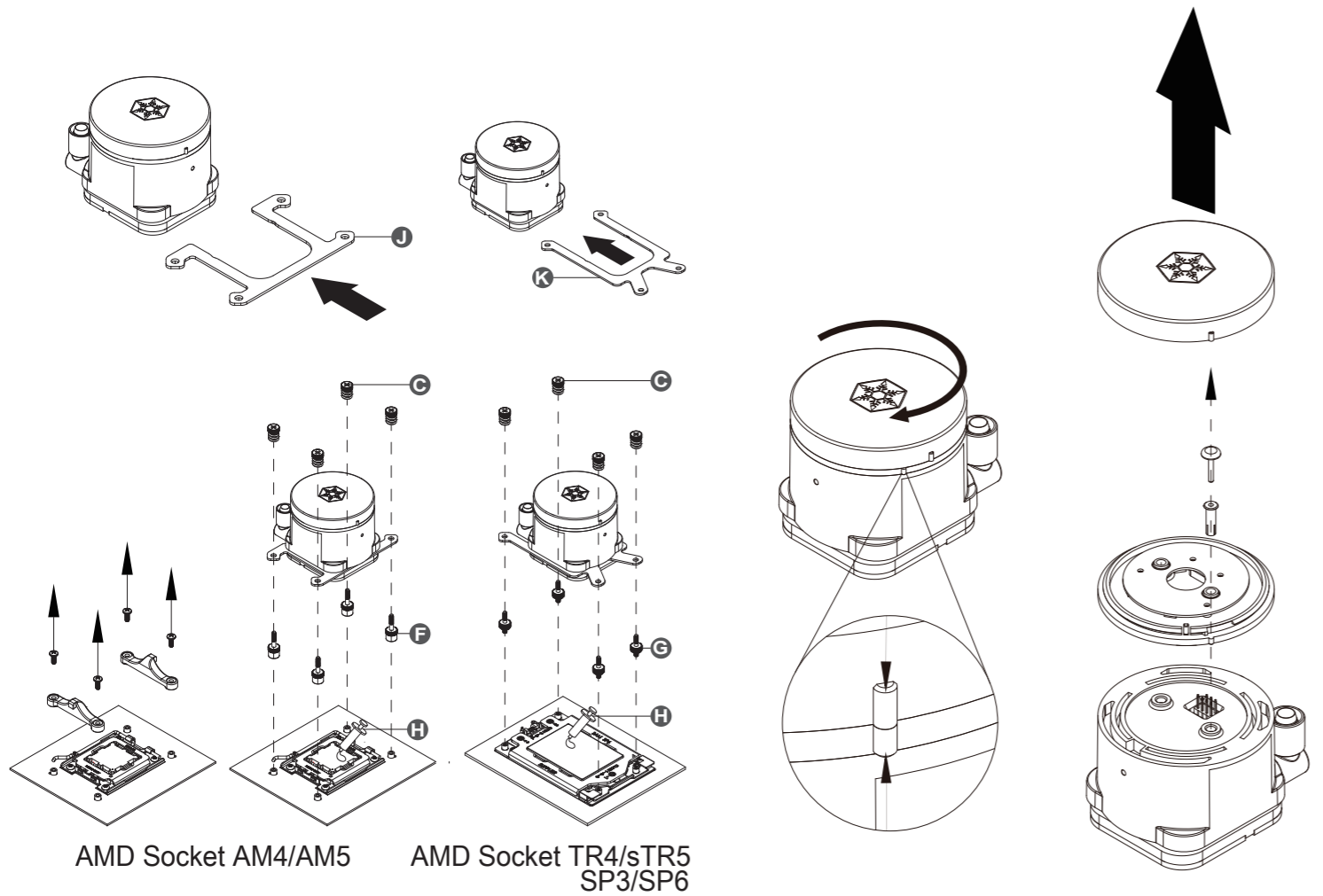
INTEL



Intel LGA 115X/1200

Intel LGA 1700/1851

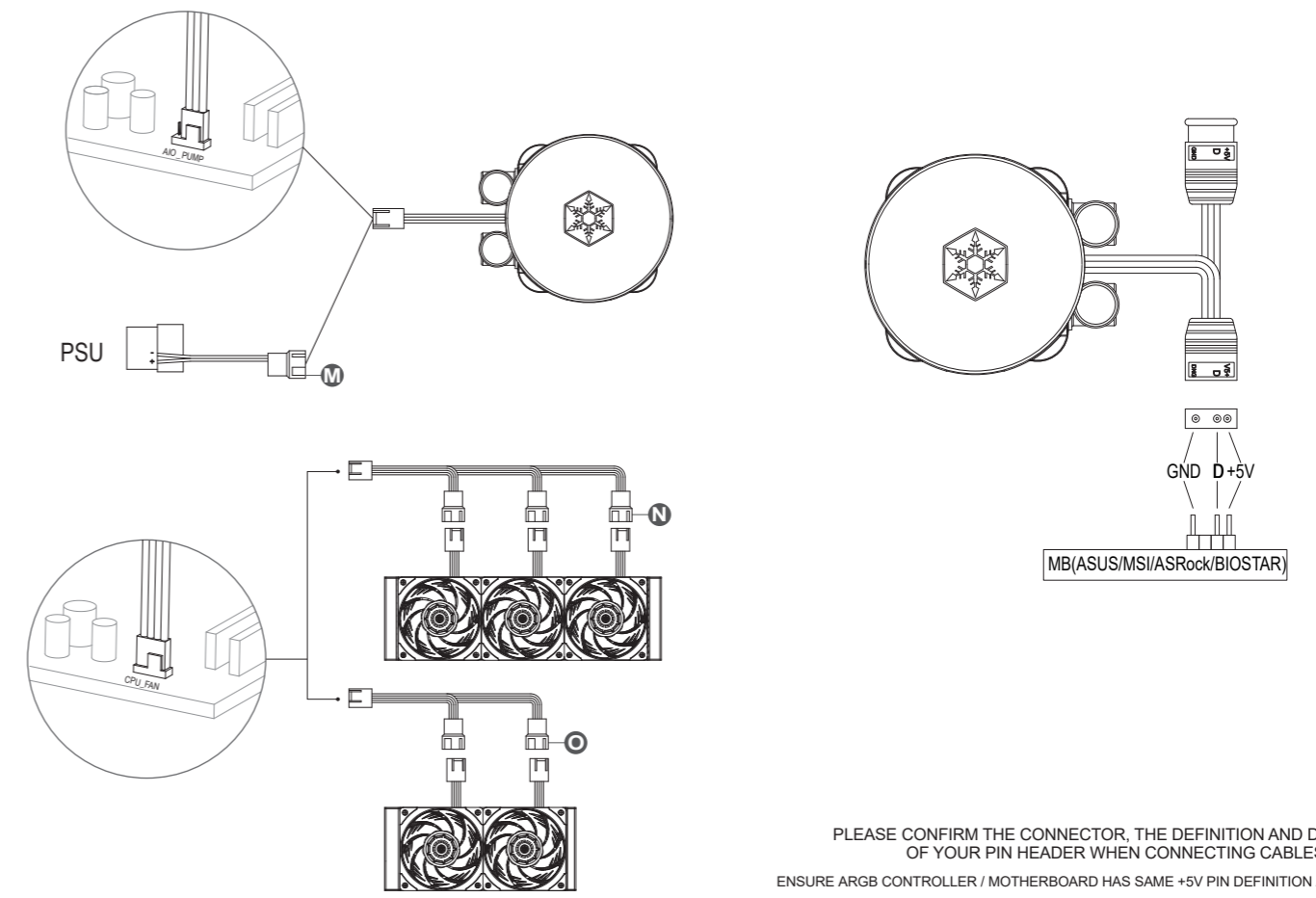
AMD



AMD Socket AM4/AM5

AMD Socket TR4/sTR5
SP3/SP6

MOTHERBOARD SYNC



PLEASE CONFIRM THE CONNECTOR, THE DEFINITION AND DIRECTION OF YOUR PIN HEADER WHEN CONNECTING CABLES.
ENSURE ARGB CONTROLLER / MOTHERBOARD HAS SAME +5V PIN DEFINITION AS ICEMYST SERIES.