



BT15

CENTRE SPEAKER WALL MOUNT WITH ADJUSTABLE ARMS



Designed to mount centre channel speakers to the wall, the BT15 is an effective solution that features twin adjustable arms to accommodate a variety of different sized speakers including the popular SONOS® PLAY:3 and PLAY:5 "smart speaker" systems. Quick and easy to install the BT15 is an ideal solution for wall mounting speakers and other AV equipment such as Blu-ray players, game consoles and satellite receivers with a weight up to 15kg.

SPECIFICATION

Max load	15kg
Adjustable arm length	180mm - 290mm
Colour	Black

FEATURES

- Ideal for centre channel speakers or other AV equipment such as Blu-ray® players
- Easy adjustment of arm depth
- 'OWLS' on wall levelling for smart a installation
- Compatible with SONOS® Play:3 and Play:5 speakers
- Simple installation with all mounting hardware included
- Supplied in pairs (for use with one speaker)



Suitable for Sonos Play:3 and Play:5 speakers



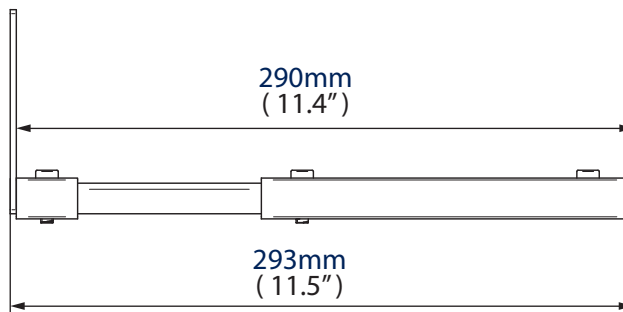
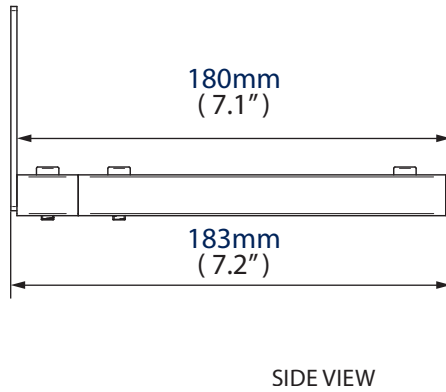
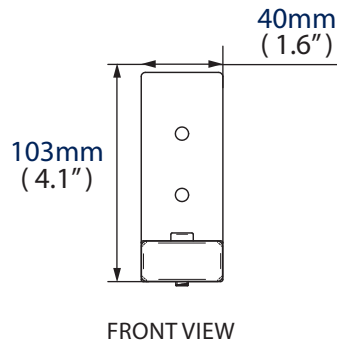
Easy to adjust arm depth depending on the size of speaker / AV equipment



'OWLS' On wall levelling for a smart installation



Protective pads supplied for sound isolation



PACKING INFORMATION

COLOUR:	ORDER REF:	EAN CODE:	MASTER CARTON QUANTITY :	MASTER CARTON WEIGHT:	MASTER CARTON CUBE:
Black	BT15/B	5019318041518	8	11.04kg	0.02cbm

ACCESSORIES AND RELATED PRODUCTS



Speaker Wall Mounts
compatible with SONOS Play:1 speakers



Side Clamping Loudspeaker Wall Mount
with tilt and swivel



Atlas Loudspeaker Floor Stands
Available in 3 different heights



Universal Soundbar Mount
compatible with SONOS Playbar

© 2016 B-Tech Av Mounts Limited. All rights reserved.
The information in this document is subject to change without notice. B-Tech Av Mounts Limited is not responsible for any errors or omissions in this document. All other product names and logos are trademarks or registered trademarks of their respective owners. All B-Tech images and symbols are exclusive to B-Tech Av Mounts Limited. Any reproduction or distribution of this document without the express written permission of B-Tech Av Mounts Limited is prohibited.

SS-BT15-V1-010318