

TRDD727



Display size  
**13" - 27"**



Max load  
**8kg (17.6 lb)**  
Per display

tru•vue™

# Desk clamp/grommet mount for dual displays

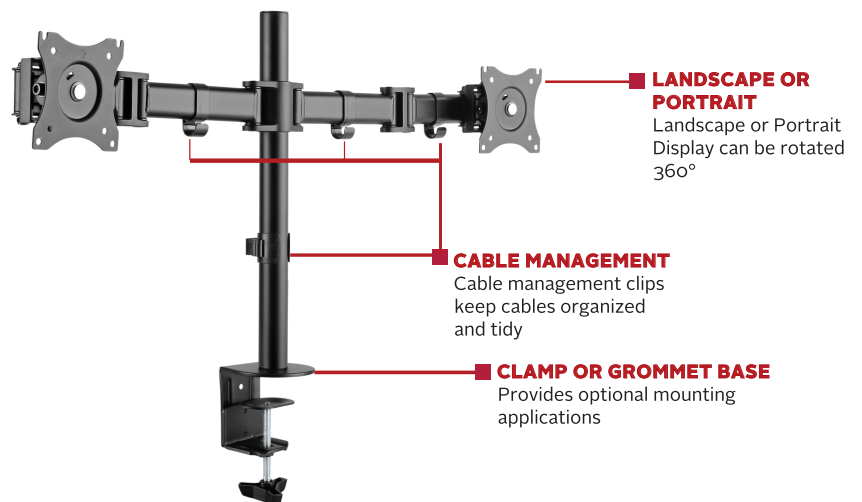
FOR 13" TO 27" DISPLAYS

The TruVue™ Dual display desk mount features an attractive sleek design. The displays can be adjusted easily between landscape/portrait orientation and boasts a smooth & effortless adjustment of the arm positions.

***The TRDD727 dual display desktop mount offers flexible monitor positioning, so the proper viewing angle can be found for all users.***

## Additional Features

- Compatible with VESA mounting patterns of 75x75 & 100x100mm
- Tilt: +/-45°
- Displays can be rotated 360° for landscape/portrait orientation
- Display height adjustment of up to 450mm
- Clamps to desks 10-88mm thickness (also includes desk grommet option)
- Included Cable management clips can be fitted anywhere along the arm



Optional grommet fixing included



RoHS

**TRDD727**

TruVue Dual Display Desk Mount for 13" to 27" Displays

**Product Specifications**

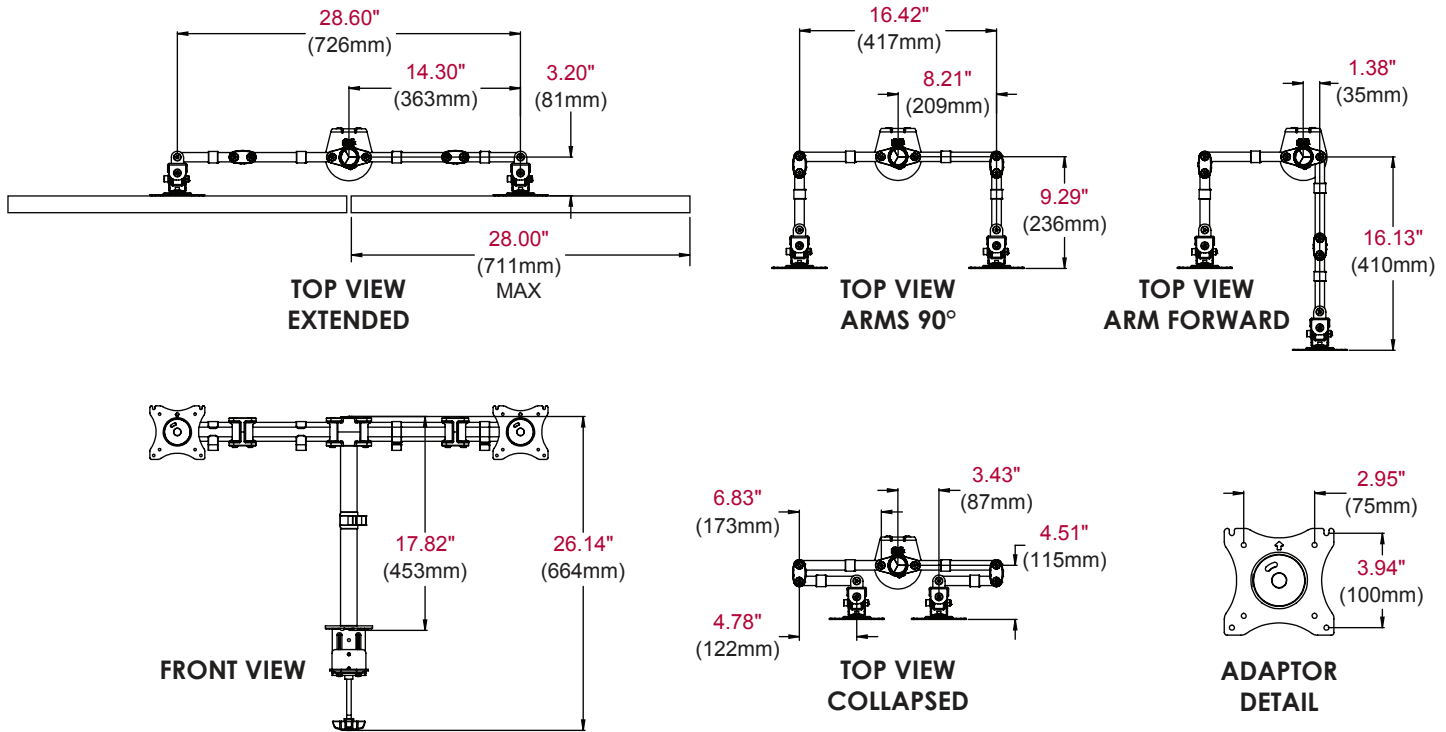
	DIMENSIONS (W x H x D)	PRODUCT WEIGHT	LOAD CAPACITY	FINISH	AVAILABLE COLOURS
<b>TRDD727</b>	726 x 550 x 116mm (28.6" x 21.7" x 4.6")	5kg (11lb)	8kg (17.6lb) per display	Powder coat	Matt black

**Package Specifications**

	PACKAGE SIZE (W x H x D)	PACKAGE SHIP WEIGHT	PACKAGE UPC CODE	PACKAGE CONTENTS	UNITS IN PACKAGE
<b>TRDD727</b>	483 x 130 x 150mm (19" x 5.1" x 5.9")	6kg (13.2lb)	735029318125	Desk mount, display adapters, attachment hardware, desk clamp & desk grommet, Instructions	1

All dimensions = inch (mm)

W: 7.8883" x H: 4.3737"



**Architect Specifications**

The TruVue™ Desk clamp/grommet mount for dual displays shall be a Peerless-AV model TRDD727 and shall be located where indicated on the plans. Assembly and installation shall be done according to instructions provided by the manufacturer.

Visit [peerless-av.com](http://peerless-av.com) to see the complete line of AV solutions from Peerless-AV, including outdoor displays, wireless, kiosks, digital audio, display mounts, projector mounts, carts/stands, and a full assortment of accessories.

**Peerless-AV**  
 2300 White Oak Circle  
 Aurora, IL 60502 USA  
**(800) 865-2112**  
**(630) 375-5100**  
**Fax: (800) 359-6500**

**Peerless-AV Europe**  
 Unit 3 Watford Interchange  
 Colonial Way, Watford  
 Herts, WD24 4WP  
 United Kingdom  
**+44 (0) 1923 200100**  
**Fax: +44 (0) 1923 200101**

**Peerless-AV de México**  
 Ave de las Industrias 413  
 Parque Industrial Escobedo  
 Escobedo, N.L.,  
 Mexico 66050  
**+52 (81) 8384-8300**  
**Fax: +52 (81) 8384-8360**

