



TILT
 ADJUSTMENT
 UP TO +20°

BT8427

ADJUSTABLE DROP FLAT SCREEN CEILING MOUNT WITH TILT

Designed to ceiling mount screens up to 70kg, the BT8427 features a push button adjustable drop of 572mm - 972mm with a safety bolt supplied for a secure installation and utilises an easy tilt mechanism for the perfect view. Levelling screws are included on the interface arms to finely adjust the screen height and locking screws help prevent unauthorised removal of the screen. Cover plates are supplied for a neat and tidy installation.

SPECIFICATION

Recommended screen size	up to 65"
Max load	70kg
VESA® compatibility (as standard)	up to 400 x 400
VESA® compatibility (with included adaptors)	up to 600 x 400
Tilt adjustment	up to +20° (in increments of 5°)
Ceiling drop	572mm - 972mm*
Colour	Black

*From the ceiling to the centre of the mount

FEATURES

- Easy 'push button' adjustable ceiling drop
- Post installation screen alignment for perfect screen positioning
- Suitable for landscape or portrait mounting
- Arms feature levelling screws to adjust the screen height
- Security screws help prevent unauthorised removal of screens
- Simple 'hook-on' screen installation
- Integrated cable management
- Cover plates included for smart installation
- All mounting hardware included



VESA 600 x 400

65" 165CM

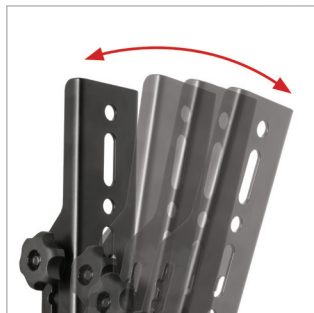
70KG

20°

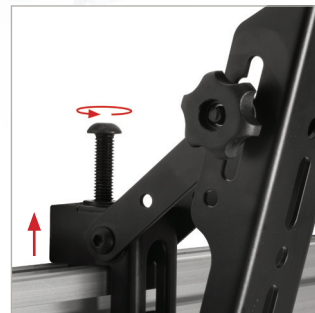
↔



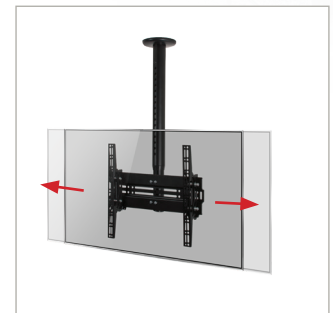
Integrated cable management



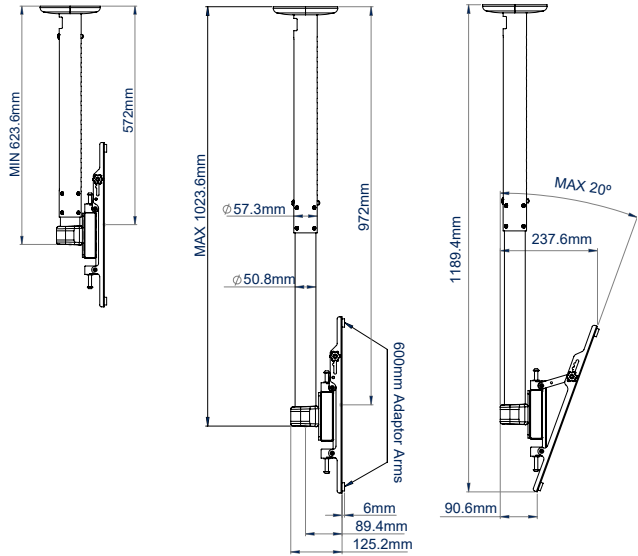
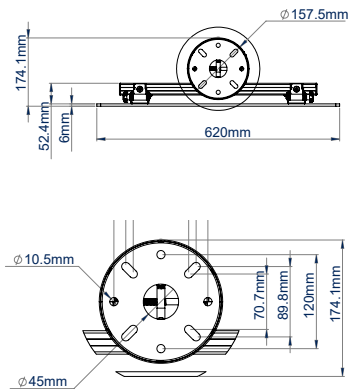
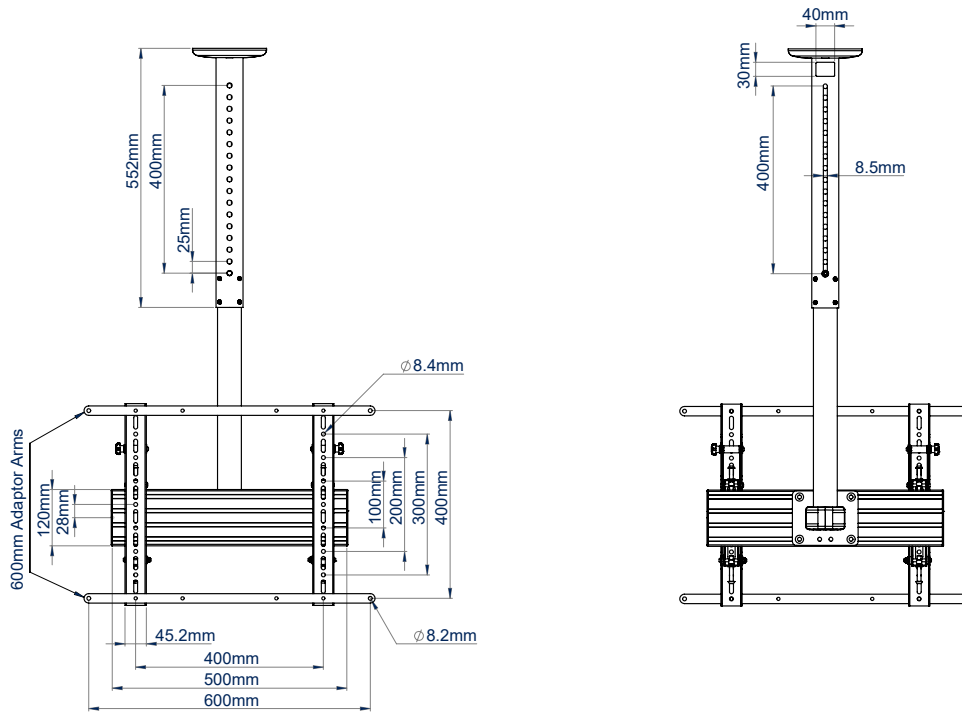
Interface arms tilt up to 20° (with a variable tilt and with fixed increments of 5°)



Height adjustment screws for screen levelling



Post installation screen alignment for perfect positioning every time

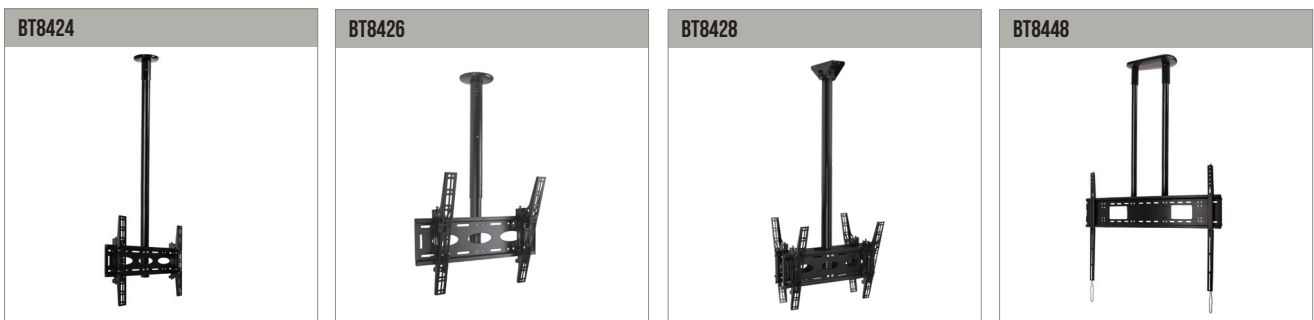


PACKING INFORMATION

ORIGINAL DESIGN BY B-TECH - REGISTERED COMMUNITY DESIGNS

COLOUR:	ORDER REF:	EAN CODE:	MASTER CARTON QTY:	INNER CARTON QTY:	MASTER CARTON WEIGHT:	MASTER CARTON CUBE:
Black	BT8427/B	5019318084454	1	0	9.75kg	0.02cbm

RELATED PRODUCTS



BT8424
Universal Flat Screen Ceiling Mount with Tilt for screens up to 65"

BT8426
Adjustable Drop Flat Screen Ceiling Mount with Tilt for screens up to 65"

BT8428
Back-to-Back Flat Screen Ceiling Mount with Tilt for two screens up to 65"

BT8448
Extra-Large Flat Screen Ceiling Mount for screens over 65"

© 2016 B-Tech Mounts of Design & Manufacturing Ltd. All rights reserved.
 The information in this specification is for reference only. It is not intended to be used as a substitute for the manufacturer's instructions. B-Tech Mounts and the B-Tech logo are registered trademarks of B-Tech Mounts of Design & Manufacturing Ltd.
 We reserve the right to change the technical or physical specifications without prior notice. This is to ensure the highest quality of our products. Any reproduction or transmission or replication of any part of this specification is strictly prohibited unless prior written permission has been granted by B-Tech Mounts of Design & Manufacturing Ltd. (B-Tech).
 SS-V2.1-BT8427-280818