

www.blackanddecker.eu

BXJE600E

BG

RO

RU

EL

PL

NL

PT

ES

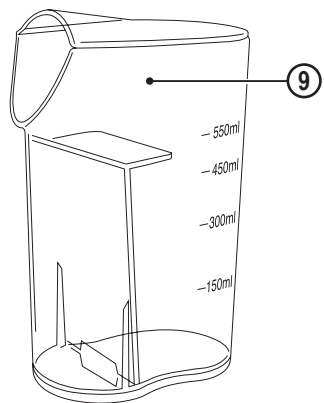
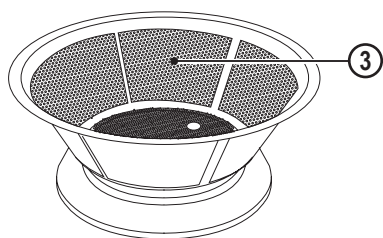
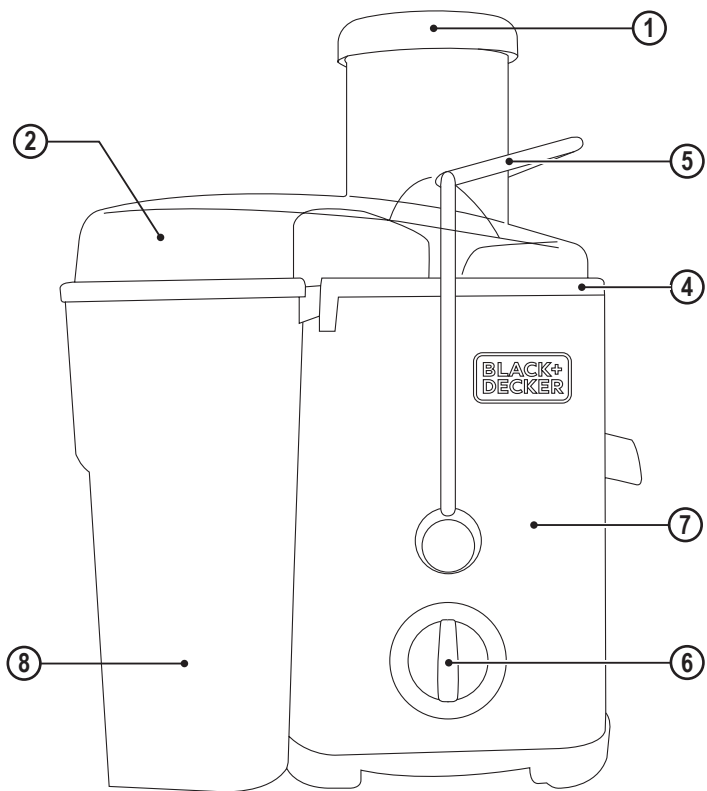
IT

DE

FR

EN





Juice extractor BXJE600E

Dear customer,

Many thanks for choosing to purchase a Black+Decker brand product.

Thanks to its technology, design and operation and the fact that it exceeds the strictest quality standards, a fully satisfactory use and long product life can be assured.

Safety advice and warnings

- ◆ Read these instructions carefully before switching on the appliance and keep them for future reference. Failure to follow and observe these instructions could lead to an accident.
- ◆ Clean all the parts of the product that will be in contact with food, as indicated in the cleaning section, before use.
- ◆ This appliance shall not be used by children. Keep the appliance and its cord out of reach of children.
- ◆ This appliance can be used by people with reduced physical, sensory or mental capabilities or lack of experience and knowledge if they have been given supervision or instruction concerning use of the appliance in a safe way and understand the hazards involved.
- ◆ This appliance is not a toy. Children should be supervised to ensure that they do not play with the appliance.
- ◆ Blades are sharp and could cause harm, be careful and avoid direct contact with the blades' cutting edges.
- ◆ Pay special attention when handling the blades, during assembly and disassembly operations, emptying the bowl and during cleaning.
- ◆ Always switch off the appliance and disconnect from supply if it is left unattended and before changing accessories or approaching parts that move in use, assembling, disassembling and cleaning.
- ◆ Do not use the appliance if the rotating sieve is damaged or the protecting cover is damaged or has visible cracks.
- ◆ If the connection to the mains has been damaged, it must be replaced, take the appliance to an authorised technical support service. Do not attempt to disassemble or repair the appliance by yourself in order to avoid a hazard.
- ◆ Ensure that the voltage indicated on the rating label matches the mains voltage before plugging in the appliance.
- ◆ Connect the appliance to a socket that can supply a minimum of 10 amperes.
- ◆ The appliance's plug must fit into the mains socket properly. Do not alter the plug. Do not use plug adaptors.
- ◆ Keep the working area clean and well lit. Cluttered and dark areas invite accidents.
- ◆ Do not place the appliance on hot surfaces, such as cooking plates, gas burners, ovens or similar.
- ◆ The appliance must be used and placed on a flat, stable surface.
- ◆ Do not use the appliance if the cable or plug is damaged.
- ◆ If any of the appliance casings breaks, immediately disconnect the appliance from the mains to prevent the

possibility of an electric shock.

- ◆ Do not use the appliance if it has fallen on the floor, if there are visible signs of damage or if it has a leak.
- ◆ Do not force the power cord. Never use the power cord to lift up, carry or unplug the appliance.
- ◆ Do not wrap the power cord around the appliance.
- ◆ Do not clip or crease the power cord.
- ◆ Do not allow the power cord to come into contact with the appliance's hot surfaces.
- ◆ Do not allow the power cord to hang or to come into contact with the hot surfaces of the appliance.
- ◆ Check the state of the power cord. Damaged or tangled cables increase the risk of electric shock.
- ◆ The appliance is not suitable for outdoor use.
- ◆ Supply cord should be regularly examined for signs of damage, and if the cord is damaged, the appliance must not be used.
- ◆ Do not use or store the appliance outdoors.
- ◆ Do not leave the appliance out in the rain or exposed to moisture. If water gets into the appliance, this will increase the risk of electric shock.
- ◆ Do not touch the plug with wet hands.
- ◆ Take the necessary measures to avoid starting the appliance involuntarily.
- ◆ Before using the appliance ensure that the blade is properly fixed in place.
- ◆ Do not touch any of the appliance's moving parts while it is operating.
- ◆ Exercise precaution after employing the stop operation on the appliance as the blade/s will continue moving from the effect of its own mechanical inertia.
- ◆ The temperature of the accessible surfaces may be high when the appliance is in use.

Use and care:

- ◆ Fully unroll the appliance's power cable before each use.
- ◆ Do not use the appliance if its accessories are not properly fitted.
- ◆ Do not use the appliance if the accessories attached to it are defective. Replace them immediately.
- ◆ Do not use the appliance when empty.
- ◆ Do not use the appliance if it is empty.
- ◆ Do not use the appliance if the on/off switch does not work.
- ◆ Do not move the appliance while in use.
- ◆ Use the appliance handle/s, to catch it or move it.
- ◆ Do not turn the appliance over while it is in use or connected to the mains.
- ◆ Do not force the appliance's work capacity.

- ◆ This appliance is for household use only, not professional, industrial use.
- ◆ Store this appliance out of reach of children and/or persons with physical, sensory or reduced mental or lack of experience and knowledge.
- ◆ Keep the appliance in good condition. Check that the moving parts are not misaligned or jammed and make sure there are no broken parts or anomalies that may prevent the appliance from operating correctly.
- ◆ Use the appliance and its accessories and tools in accordance with these instructions, taking into account the working conditions and the work to be performed. Use the appliance for operations different from those intended could result in a hazardous situation.
- ◆ To push the food, always use the food pusher. Never use your fingers or other accessories.
- ◆ Never leave the appliance unattended while in use.
- ◆ Never leave the appliance connected and unattended if is not in use. This saves energy and prolongs the life of the appliance.
- ◆ Do not use the appliance for more than 30 minutes at any one time.
- ◆ Do not use the appliance with frozen goods or those containing bones.
- ◆ CAUTION: Do not use the appliance if the glass is cracked or broken.

Service:

- ◆ Make sure that the appliance is serviced only by specialist personnel, and that only original spare parts or accessories are used to replace existing parts/accessories.
- ◆ CAUTION: There is a risk of fire if the appliance's cleaning is not done according to these instructions.
- ◆ Any misuse or failure to follow the instructions for use renders the guarantee and the manufacturer's liability null and void.

Description

- 1 Pusher
- 2 Juice tray cover
- 3 Filter
- 4 Juice tray
- 5 Handle
- 6 Switch
- 7 Motor base
- 8 Pulp container
- 9 Juice reservoir

If the model of your appliance does not have the accessories described above, they can also be bought separately from the Technical Assistance Service.

Instructions for use

Before use:

- ◆ Make sure that all products' packaging has been removed.
- ◆ Before using the product for the first time, clean the parts that will come into contact with food in the manner described in the cleaning section.
- ◆ Some parts of the appliance have been lightly greased. Consequently, the first time the appliance is used a light smoke may be detected. After a short time, this smoke will disappear.
- ◆ Prepare the appliance according to the function you wish to use:

Use:

- ◆ Unroll the cable completely before plugging it in.
- ◆ Take the length of cable required out of the housing.
- ◆ Adjust the filter in the upper body.
- ◆ Make sure the filter (3) is well placed, turning and pressing down.
- ◆ Place the protective lid (2) in the correct position.
- ◆ Connect the appliance to the mains.
- ◆ Place the glass at the appliance's juice exit.
- ◆ Place the deposits of juice and pulp (8) in the position.
- ◆ Turn the appliance on by using one of control knob speed: I (low speed) or II (normal speed).
- ◆ Select the desired speed.
- ◆ Choose desired speed: I (low speed) or II (normal speed).
- ◆ Speed I is especially suitable for soft fruits and vegetables such as watermelons, grapes, tomatoes, cucumbers...
- ◆ Speed II is suitable for all other kinds of fruits and vegetables such as apples, carrots...
- ◆ Work with the food you want to process.
- ◆ Insert the properly-cut fruit or vegetables into the corresponding opening in the protective lid.
- ◆ Gently press with the pusher.
- ◆ The juice and the residual pulp will automatically separate out: the juice directly to the cup and the residues to the filter holder.
- ◆ The juice and the residual pulp will automatically separate out: the juice into the glass and the residual pulp into the pulp collector (8).
- ◆ Do not exert too much pressure on the pusher as it could affect the quality of the end result. It could even cause the filter come to a halt.
- ◆ Do not run the motor for more than 1 minute at a time. Stop the motor and allow it to cool for at least 1 minute.

Otherwise the motor may become damaged.

- ◆ Do not use the appliance for more than 30 minutes at any one time. Otherwise the motor may become damaged.
- ◆ Once finished, leave the motor to run a few seconds so that the juice can be strained.
- ◆ Before opening the blender, ensure that the motor has stopped completely.
- ◆ Remove the deposits of juice (9) and pulp (8), the pusher (1) and the protective lid.
- ◆ First pull the filter (3) and then the upper body (2).
- ◆ To avoid a fierce start up of the fan, it is advisable to start off from the lowest speed position and, once the fan has been switched on, progressively increase the speed to the desired position.
- ◆ To avoid a fierce start up, the appliance is turned on progressively.
- ◆ Empty the jug of juice (9), tipping its contents into whatever table service receptacle you like.
- ◆ Remark: If you process a large quantity of fruit, you must periodically clean the filter and remove the remains of the pulp.

Once you have finished using the appliance:

- ◆ Stop the appliance, selecting position 0 on the selector control.
- ◆ Unplug the appliance from the mains.
- ◆ Put the cable back in the cable housing.
- ◆ Clean the appliance.

Cable compartment

- ◆ This appliance has a cable compartment situated on its posterior.
- ◆ This appliance has a cable compartment situated on its underside.

Safety thermal protector:

- ◆ The appliance has a safety device, which protects the appliance from overheating.
- ◆ If the appliance turns itself off and does not switch itself on again, disconnect it from the mains supply, and wait for approximately 15 minutes before reconnecting. If the machine does not start again seek authorised technical assistance.

Cleaning

- ◆ Disconnect the appliance from the mains and allow it to

cool before undertaking any cleaning task.

- ◆ Clean the equipment with a damp cloth with a few drops of washing-up liquid and then dry.
- ◆ Do not use solvents, or products with an acid or base pH such as bleach, or abrasive products, for cleaning the appliance.
- ◆ Do not let water or any other liquid get into the air vents to avoid damage to the inner parts of the appliance.
- ◆ Remove the filters. Clean in hot, soapy water or in a dishwasher. Replace parts correctly.
- ◆ Never submerge the appliance in water or any other liquid or place it under running water.
- ◆ During the cleaning process, take special care with the blades, as they are very sharp.
- ◆ It is advisable to clean the appliance regularly and remove any food remains.
- ◆ If the appliance is not in good condition of cleanliness, its surface may degrade and inexorably affect the duration of the appliance's useful life and could become unsafe to use.
- ◆ Neither parts of this appliance are suitable for cleaning in the dishwasher.
- ◆ The following pieces may be washed in a dishwasher (using a soft cleaning program):
 - Pusher
 - Juice tray cover.
 - Removable filter.
 - Juice jar
 - Pulp deposit
- ◆ The draining/drying position of the articles washable in the dishwasher or in the sink must allow the water to drain away easily.
- ◆ Then dry all parts before its assembly and storage.

Anomalies and repair

- ◆ Take the appliance to an authorised technical support service if product is damaged or other problems arise. Do not attempt to disassemble or repair the appliance yourself as this may be dangerous.

For EU product versions and/or in case that it is requested in your country:

Ecology and recyclability of the product

- ◆ The materials of which the packaging of this appliance consists are included in a collection, classification and recycling system. Should you wish to dispose of them, use the appropriate public recycling bins for each type

of material.

- ◆ The product does not contain concentrations of substances that could be considered harmful to the environment.



This symbol means that in case you wish to dispose of the product once its working life has ended; take it to an authorised waste agent for the selective collection of Waste from Electric and Electronic Equipment (WEEE).



This symbol means that surface could get hot during the use.

This appliance complies with Directive 2014/35/EU on Low Voltage, Directive 2014/30/EU on Electromagnetic Compatibility, Directive 2011/65/EU on the restrictions of the use of certain hazardous substances in electrical and electronic equipment and Directive 2009/125/EC on the ecodesign requirements for energy-related products.

WARRANTY AND TECHNICAL ASSISTANCE

This product enjoys the recognition and protection of the legal guarantee in accordance with current legislation. To enforce your rights or interests you must go to any of our official technical assistance services.

You can find the closest one by accessing the following web link: <http://www.2helpu.com/>

You can also request related information, by contacting us (see the last page of the manual).

You can download this instruction manual and its updates at <http://www.2helpu.com/>

Centrifugeuse BXJE600E

Cher Client,

Nous vous remercions d'avoir acheté un produit Black+Decker.

Sa technologie, son design et sa fonctionnalité, outre sa parfaite conformité aux normes de qualité les plus strictes, vous permettront d'en tirer une longue et durable satisfaction.

Conseils et mesures de sécurité

- ◆ Lire attentivement cette notice d'instructions avant de mettre l'appareil en marche, et la conserver pour la consulter ultérieurement. Le non-respect de ces instructions peut être source d'accident.
- ◆ Avant la première utilisation, laver les parties en contact avec les aliments comme indiqué à la section nettoyage.
- ◆ Cet appareil n'est pas prévu pour être utilisé par des enfants. Tenir l'appareil et sa fiche hors de portée des enfants.
- ◆ Cet appareil peut être utilisé par des personnes dont les capacités physiques, sensorielles ou mentales sont réduites ou des personnes dénuées d'expérience concernant son utilisation, et ce, sous surveillance ou après avoir reçu les instructions pour un maniement sûr de l'appareil et ayant compris les risques possibles.
- ◆ Cet appareil n'est pas un jouet. Les enfants doivent être surveillés pour s'assurer qu'ils ne jouent pas avec l'appareil.
- ◆ Les lames sont aiguisées et vous pourriez vous blesser. Agissez avec précaution en évitant tout contact direct avec son tranchant.
- ◆ Il faudra être particulièrement attentif lorsque vous manipulerez les lames lors du montage / démontage, au moment de vider le bol et durant le nettoyage.
- ◆ Arrêter et débrancher l'appareil du réseau électrique si vous ne l'utilisez pas et avant toute opération de nettoyage, d'ajustage, recharge ou changement d'accessoires
- ◆ Ne jamais utiliser l'appareil si le tamis rotatif est endommagé ou si le couvercle de protection est endommagé ou présente des fissures.
- ◆ Si la prise du secteur est abîmée, elle doit être remplacée. Apportez l'appareil chez un Service d'Assistance Technique agréé. Ne pas tenter de procéder aux réparations ou de démonter l'appareil; cela implique des risques.
- ◆ Avant de raccorder l'appareil au secteur, s'assurer que le voltage indiqué sur la plaque signalétique correspond à celui du secteur.
- ◆ Raccorder l'appareil à une prise pourvue d'une fiche de terre et supportant au moins 10 ampères.
- ◆ La prise de courant de l'appareil doit coïncider avec la base de la prise de courant. Ne jamais modifier la prise de courant. Ne pas utiliser d'adaptateur de prise de

courant.

- ♦ Veiller à maintenir votre espace de travail propre et bien éclairé. Les espaces encombrés et sombres sont propices aux accidents.
- ♦ Ne pas placer l'appareil sur des surfaces chaudes, plaques de cuisson, cuisinières à gaz, fours ou similaires.
- ♦ L'appareil doit être utilisé et placé sur une surface plane et stable.
- ♦ Ne pas utiliser l'appareil si son câble électrique ou sa prise est endommagé.
- ♦ Si une des enveloppes protectrices de l'appareil se rompt, débrancher immédiatement l'appareil du secteur pour éviter tout choc électrique.
- ♦ Ne pas utiliser l'appareil s'il est tombé, s'il y a des signes visibles de dommages ou en cas de fuite.
- ♦ Ne pas forcer le câble électrique de connexion. Ne jamais utiliser le câble électrique pour lever, transporter ou débrancher l'appareil.
- ♦ Ne pas enrouler le câble électrique de connexion autour de l'appareil.
- ♦ Éviter que le câble électrique de connexion ne se coince ou ne s'emmêle.
- ♦ Ne pas laisser le cordon de connexion entrer en contact avec les surfaces chaudes de l'appareil.
- ♦ Ne pas laisser le cordon de connexion entrer en contact avec les surfaces chaudes de l'appareil.
- ♦ Vérifier l'état du câble électrique de connexion. Les câbles endommagés ou emmêlés augmentent le risque de choc électrique.
- ♦ Le câble d'alimentation doit être examiné régulièrement à la recherche de signes de dommages, et s'il est endommagé, l'appareil ne doit pas être utilisé.
- ♦ Ne pas exposer l'appareil aux intempéries.
- ♦ Ne pas exposer l'appareil à la pluie ou à un environnement humide. L'eau qui entre dans l'appareil augmente le risque de choc électrique.
- ♦ Ne pas toucher la prise de raccordement avec les mains mouillées.
- ♦ Avant d'utiliser l'appareil, s'assurer que les lames sont correctement fixées à l'appareil.
- ♦ Ne pas toucher les parties mobiles de l'appareil en marche.
- ♦ Lorsque vous arrêterez l'appareil, faire très attention, puisque l'outil continuera à tourner par inertie mécanique.
- ♦ Quand l'appareil est mis en marche, la température des surfaces accessibles peut être élevée.

Utilisation et entretien :

- ♦ Avant chaque utilisation, dérouler complètement le câble d'alimentation de l'appareil.
- ♦ Ne pas utiliser l'appareil si ses accessoires ne sont pas dûment accouplés.
- ♦ Ne pas utiliser l'appareil si les accessoires qui lui sont assemblés présentent des défauts. Le cas échéant, les remplacer immédiatement.
- ♦ Ne pas utiliser l'appareil à vide, c'est à dire sans charge.
- ♦ Ne pas utiliser l'appareil si son dispositif de mise en marche/arrêt ne fonctionne pas.
- ♦ Ne pas faire bouger l'appareil durant son fonctionnement
- ♦ Ne pas utiliser l'appareil alors qu'il est incliné, ni le retourner.
- ♦ Ne pas retourner l'appareil quand il est en cours d'utilisation ou branché au secteur.
- ♦ Ne pas forcer la capacité de travail de l'appareil.
- ♦ Cet appareil est uniquement destiné à un usage domestique et non professionnel ou industriel.
- ♦ Conserver cet appareil hors de portée des enfants ou des personnes avec capacités physiques, sensorielles ou mentales réduites ou présentant un manque d'expérience et de connaissances
- ♦ Maintenir l'appareil en bon état. Vérifier que les parties mobiles ne sont pas désalignées ou entravées, qu'il n'y a pas de pièces cassées ou d'autres conditions qui pourraient affecter le bon fonctionnement de l'appareil.
- ♦ Utiliser cet appareil, ses accessoires et outils conformément au mode d'emploi, en tenant compte des conditions de travail et du travail à réaliser. L'utilisation de l'appareil pour des opérations autres que celles pour lesquelles il a été conçu pourrait impliquer des situations dangereuses.
- ♦ Exercer une pression sur les aliments préalablement introduits à travers l'entonnoir, et ce, toujours à l'aide du poussoir, jamais avec les doigts ou d'autres accessoires.
- ♦ Toujours utiliser l'appareil sous surveillance.
- ♦ Ne jamais laisser l'appareil sans surveillance lorsqu'il est branché. Ceci permettra également de réduire sa consommation d'énergie et de prolonger sa durée de vie.
- ♦ Ne pas utiliser l'appareil plus de 30 minutes consécutives.
- ♦ Ne pas utiliser l'appareil avec des aliments surgelés ou des os.
- ♦ **AVERTISSEMENT** : Ne pas utiliser l'appareil si le verre est brisé ou cassé.

Entretien:

- ♦ S'assurer que le service de maintenance de l'appareil

est réalisé par le personnel spécialisé, et que dans le cas où vous auriez besoin de pièces de rechange, celles-ci soient originales.

- ♦ **AVERTISSEMENT** : Si l'appareil ne se nettoie pas conformément au mode d'emploi, il pourrait exister un risque d'incendie.
- ♦ Toute utilisation inappropriée ou non conforme aux instructions d'utilisation annule la garantie et la responsabilité du fabricant.

Description

- 1 Poussoir
- 2 Couvercle du bac à jus
- 3 Filtre.
- 4 Plateau
- 5 Poignée
- 6 Interrupteur
- 7 Base moteur
- 8 Réservoir à pulpe
- 9 Réservoir pour le jus

Dans le cas où votre modèle ne disposerait pas des accessoires décrits antérieurement, ceux-ci peuvent s'acquérir séparément auprès des services d'assistance technique.

Mode d'emploi

Remarques avant utilisation:

- ♦ Assurez-vous que vous avez retiré tout le matériel d'emballage du produit.
- ♦ Avant la première utilisation, laver les parties en contact avec les aliments comme indiqué à la section de nettoyage.
- ♦ Certaines parties de l'appareil ont été légèrement graissées et c'est pourquoi l'appareil peut fumer un peu, au moment du premier branchement. En peu de temps, la fumée cessera.
- ♦ Préparer l'appareil conformément à la fonction désirée :

Utilisation :

- ♦ Dérouler complètement le câble avant de le brancher.
- ♦ Extraire la longueur de câble nécessaire.
- ♦ Ajuster le filtre sur le corps supérieur.
- ♦ Vérifier que le filtre(3) est bien installé, en l'enfonçant vers le bas une fois positionné
- ♦ Placer le capuchon de protection dans la bonne position, de sorte qu'il ne puisse pas bouger. (2).
- ♦ Brancher l'appareil au secteur.
- ♦ Placer un récipient au niveau du bec de sortie de jus de l'appareil.

- ♦ Placer le réservoir à pulpe (8) en position.
- ♦ Démarrer l'appareil en actionnant le sélecteur de vitesse : I (vitesse lente) ou II (vitesse normale)
- ♦ La vitesse 1 est spécialement recommandée pour les fruits et les légumes de texture molle, comme par exemple : la pastèque, le raisin, les tomates, les concombres...
- ♦ La vitesse 2 est parfaite pour le reste de fruits et légumes : pommes, carottes...
- ♦ **ATTENTION**: Si les parties de l'appareil ne sont pas bien placées, l'appareil ne fonctionnera pas.
- ♦ Sélectionner la vitesse désirée.
- ♦ Sélectionner la vitesse désirée: I (vitesse lente) ou II (vitesse normale)
- ♦ La vitesse I est spécialement recommandée pour les fruits et les légumes de texture molle, comme par exemple : la pastèque, le raisin, les tomates, les concombres...
- ♦ La vitesse II est parfaite pour le reste de fruits et légumes : pommes, carottes...
- ♦ Travailler l'aliment désiré.
- ♦ Insérez les fruits ou légumes, dûment coupés, dans l'ouverture correspondante sur le couvercle de protection.
- ♦ Appuyer délicatement avec le poussoir.
- ♦ Le jus et les résidus sont automatiquement séparés : Le jus dans le réservoir pour le jus (9) et les résidus dans le réservoir à pulpe (8).
- ♦ Ne pas exercer trop de pression sur le pressoir, car cela pourrait répercuter sur la qualité du résultat final ou même entraîner l'arrêt du filtre.
- ♦ Ne pas faire fonctionner le moteur plus de 1 minute d'affilée. Éteindre l'appareil et laisser le moteur refroidir pendant au moins 1 minute. Dans le cas contraire, le moteur pourrait subir des dommages.
- ♦ Ne pas utiliser l'appareil plus de 30 minutes consécutives. Dans le cas contraire, le moteur pourrait subir des dommages.
- ♦ Laisser tourner le moteur encore quelques secondes pour finir l'extraction du jus.
- ♦ Avant d'ouvrir la centrifugeuse, veuillez vous assurer que le moteur soit complètement arrêté.
- ♦ Retirer les dépôts de jus et de pulpe (H), le pressoir(1) et le couvercle de protection (2).
- ♦ Tirer tout d'abord sur le filtre(3), puis sur le corps supérieur (4).
- ♦ Pour éviter une mise en marche trop brusque, nous recommandons de l'effectuer à l'aide du bouton sélecteur de puissance en commençant par la plus basse, et une fois en marche, l'augmenter progressivement, pour le placer sur la puissance désirée.

- ♦ Afin d'éviter un démarrage trop brutal, ce dernier doit être progressif.
- ♦ Vider le jus du récipient (9), en versant son contenu dans un récipient adapté.
- ♦ Note : Si vous utilisez souvent votre appareil avec une grande quantité de fruit, vous devrez nettoyer le filtre et éliminer la pulpe restante.

Après utilisation de l'appareil :

- ♦ Arrêter l'appareil, en plaçant la commande de sélection sur la position 0.
- ♦ Débrancher l'appareil du secteur.
- ♦ Ranger le câble dans le logement prévu à cet effet.
- ♦ Nettoyer l'appareil.

Compartiment câble

- ♦ Cet appareil dispose d'un ramasse-câble situé dans la partie inférieure de l'appareil.
- ♦ Cet appareil dispose d'un ramasse-câble situé dans la partie inférieure de l'appareil.

Protecteur thermique de sûreté:

- ♦ L'appareil dispose d'un dispositif thermique de sûreté qui protège l'appareil de toute surchauffe.
- ♦ Si l'appareil se déconnecte tout seul et que vous ne parvenez pas à le reconnecter, débranchez-le et attendez environ 15 minutes avant de le rebrancher. S'il ne fonctionne toujours pas, faites appel à l'un des services d'assistance technique autorisés.

Nettoyage

- ♦ Débrancher l'appareil du secteur et attendre son refroidissement complet avant de le nettoyer.
- ♦ Nettoyer l'appareil avec un chiffon humide imprégné de quelques gouttes de détergent et le laisser sécher.
- ♦ Ne pas utiliser de solvants ni de produits au pH acide ou basique tels que l'eau de Javel, ni de produits abrasifs pour nettoyer l'appareil.
- ♦ Ne pas laisser pénétrer de l'eau ni aucun autre liquide par les ouvertures de ventilation afin d'éviter d'endommager les parties intérieures de l'appareil.
- ♦ Retirer les filtres. Les laver avec de l'eau chaude savonneuse ou au lave-vaisselle. Les replacer sur l'appareil.
- ♦ Ne pas immerger l'appareil dans l'eau ou tout autre liquide, ni le passer sous un robinet.
- ♦ Durant le processus de nettoyage, faire attention en particulier aux lames, celles-ci sont très coupantes.
- ♦ Il est recommandé de nettoyer l'appareil régulièrement

et de retirer tous les restes d'aliments.

- ♦ Si l'appareil n'est pas maintenu dans un bon état de propreté, sa surface peut se dégrader et affecter de façon inexorable la durée de vie de l'appareil et le rendre dangereux.
- ♦ Les pièces ci-dessous peuvent se laver à l'eau chaude savonneuse ou au lave-vaisselle (en mode délicat) :
 - Presseur.
 - Couverture protecteur.
 - Filtre extractible.
 - Porte filtre.
 - Réservoir de pulpe.
 - Récipient à jus.

- ♦ Veiller à bien placer les pièces lavées au lave-vaisselle ou à la main, en faisant en sorte qu'elles puissent s'égoutter et se sécher correctement.
- ♦ Avant son montage et stockage, veiller à bien sécher toute les pièces.

Anomalies et réparation

- ♦ En cas de panne, remettre l'appareil à un service d'assistance technique autorisé. Ne pas tenter de procéder aux réparations ou de démonter l'appareil; cela implique des risques.

Pour les versions UE du produit et/ou en fonction de la législation du pays d'installation:

Écologie et recyclage du produit

- ♦ Les matériaux dont l'emballage de cet appareil est constitué intègrent un programme de collecte, de classification et de recyclage. Si vous souhaitez vous défaire du produit, merci de bien vouloir utiliser les conteneurs publics appropriés à chaque type de matériau.
- ♦ Le produit ne contient pas de substances concentrées susceptibles d'être considérées comme nuisibles à l'environnement.



Ce symbole signifie que si vous souhaitez vous débarrasser de l'appareil, en fin de vie utile, celui-ci devra être consigné, en prenant les mesures adaptées, à un centre agréé de collecte sélective des déchets d'équipements électriques et électroniques (DEEE).



Ce symbole indique que la surface peut se chauffer pendant l'usage

Cet appareil est certifié conforme à la directive 2014/35/UE de basse tension, de même qu'à la directive 2014/30/UE en matière de compatibilité électromagnétique, à la directive 2011/65/UE relative à la limitation de l'utilisation de certaines substances dangereuses dans les équipements électriques et électroniques et à la directive 2009/125/CE sur les conditions de conception écologique applicable aux produits en rapport avec l'énergie.

GARANTIE ET ASSISTANCE TECHNIQUE

Ce produit est reconnu et protégé par la garantie établie conformément à la législation en vigueur. Pour faire valoir vos droits ou intérêts, vous devrez vous adresser à l'un de nos services d'assistance technique agréés.

Pour savoir lequel est le plus proche, vous pouvez accéder au lien suivant : <http://www.2helpu.com/>

Vous pouvez aussi nous contacter pour toute information (veuillez consulter la dernière page du manuel).

Vous pouvez télécharger ce manuel d'instructions et ses mises à jour sur <http://www.2helpu.com/>

Entsafter BXJE600E

Sehr geehrte Kundin,

Wir danken Ihnen für Ihre Entscheidung, ein Gerät der Marke Black+Decker Gerät zu kaufen.

Die Technologie, das Design und die Funktionalität dieses Produkts, das die anspruchsvollsten Qualitätsnormen erfüllt, werden Sie über viele Jahre zufriedenstellen.

Ratschläge und Sicherheits- hinweise

- ◆ Lesen Sie die Gebrauchsanweisung sorgfältig, bevor Sie das Gerät einschalten und bewahren Sie diese zum Nachschlagen zu einem späteren Zeitpunkt auf. Werden die Hinweise dieser Bedienungsanleitung nicht beachtet und eingehalten, kann es zu Unfällen kommen.
- ◆ Vor der Erstanwendung müssen die Einzelteile, die mit Nahrungsmitteln in Kontakt geraten, so wie im Absatz Reinigung beschrieben, gereinigt werden.
- ◆ Kinder dürfen dieses Gerät nicht benutzen. Das Gerät und seinen Netzanschluss stets außerhalb der Reichweite von Kindern halten.
- ◆ Dieses Gerät ist nicht geeignet für die Verwendung durch Personen mit eingeschränkter Wahrnehmung oder verminderten physischen oder geistigen Fähigkeiten oder einem Mangel an Erfahrung und Kenntnissen, sofern sie nicht durch eine für ihre Sicherheit verantwortliche Person beaufsichtigt oder bei der Bedienung angeleitet werden und die möglichen Gefahren verstehen.
- ◆ Dieses Gerät ist kein Spielzeug. Kinder müssen beaufsichtigt werden, damit sie nicht mit dem Gerät spielen.
- ◆ Die Messer sind sehr scharf und können Verletzungen verursachen. Gehen Sie vorsichtig mit ihnen um und vermeiden Sie den direkten Kontakt mit ihren Schneiden.
- ◆ Seien Sie besonders vorsichtig beim Handhaben der Messer beim Einsetzen und Abnehmen von Bauteilen, Leeren der Schüssel und bei der Reinigung.
- ◆ Schalten Sie das Gerät aus und ziehen Sie den Stecker aus dem Netz, wenn Sie das Gerät unbeaufsichtigt lassen oder Zubehör oder bewegliche Teile auswechseln wollen, sowie vor der Montage, Demontage und der Reinigung.
- ◆ Benutzen Sie das Gerät nicht, wenn das Drehsieb beschädigt ist oder der Schutzdeckel Schäden oder Risse aufweist.
- ◆ Wenn der Netzstecker beschädigt ist, muss er ausgetauscht werden. Bringen Sie das Gerät zu diesem Zweck zu einem zugelassenen Kundendienst. Um jegliche Gefahr auszuschließen, versuchen Sie nicht selbst, den Stecker abzumontieren und zu reparieren.

- ♦ Vergewissern Sie sich, dass die Spannung auf dem Typenschild mit der Netzspannung übereinstimmt, bevor Sie den Apparat an das Stromnetz anschließen.
- ♦ Das Gerät an ein Stromnetz mit mindestens 10 Ampere anschließen.
- ♦ Der Stecker des Geräts muss mit dem Steckdosentyp des Stromanschlusses übereinstimmen. Der Gerätestecker darf unter keinen Umständen modifiziert werden. Keine Adapter für den Stecker verwenden.
- ♦ Der Arbeitsplatz soll sauber und gut beleuchtet sein. In unordentlichen und dunklen Zonen kann es zu Unfällen kommen.
- ♦ Das Gerät nicht auf heiße Oberflächen sowie Kochplatten, Gasbrenner, Ofen oder Ähnliches stellen.
- ♦ Das Gerät muss auf einer ebenen und standfesten Oberfläche aufgestellt und benutzt werden.
- ♦ Das Gerät darf nicht mit beschädigtem elektrischem Kabel oder Stecker verwendet werden.
- ♦ Sollte ein Teil der Geräteverkleidung beschädigt sein, ist die Stromzufuhr umgehend zu unterbrechen, um einen möglichen elektrischen Schlag zu vermeiden.
- ♦ Das Gerät nicht benutzen, wenn es heruntergefallen ist, sichtbare Schäden aufweist oder undicht ist.
- ♦ Nicht mit Gewalt am elektrischen Anschlusskabel ziehen. Benutzen Sie das elektrische Kabel nicht zum Anheben oder Transportieren des Geräts. Den Stecker nicht am Kabel aus der Dose ziehen.
- ♦ Kabel nicht um das Gerät rollen.
- ♦ Achten Sie darauf, dass das elektrische Kabel nicht getreten oder zerknittert wird.
- ♦ Achten Sie darauf, dass das elektrische Verbindungskabel nicht mit heißen Teilen des Geräts in Kontakt kommt.
- ♦ Achten Sie darauf, dass das elektrische Verbindungskabel nicht mit heißen Teilen des Geräts in Kontakt kommt.
- ♦ Überprüfen Sie den Zustand des elektrischen Verbindungskabels. Beschädigte oder verwickelte Kabel erhöhen das Risiko von elektrischen Schlägen.
- ♦ Das Netzkabel ist regelmäßig auf Schäden zu prüfen. Bei beschädigtem Kabel darf das Gerät nicht verwendet werden.
- ♦ Das Gerät nicht im Freien benutzen oder aufbewahren.
- ♦ Das Gerät niemals Regen oder Feuchtigkeit aussetzen. Wasser, das eventuell in das Gerät gelangt, erhöht die Elektroschockgefahr.
- ♦ Berühren Sie den Stecker nicht mit feuchten Händen.
- ♦ Vor dem Gebrauch überprüfen, ob die Messer gut am Gerät befestigt sind.
- ♦ Bewegliche Teile des Geräts während dem Betrieb nicht berühren.
- ♦ Seien Sie nach dem Ausschalten des Gerätes vorsichtig

und beachten Sie die durch die mechanische Trägheit verursachte Nachlaufzeit der/des Messers.

- ♦ Die zugänglichen Oberflächen können sehr heiß werden, während das Gerät in Betrieb ist.

Benutzung und Pflege:

- ♦ Vor jedem Gebrauch des Geräts das Stromkabel vollständig abwickeln.
- ♦ Gerät nicht benutzen, wenn Zubehör oder Ersatzteile nicht richtig befestigt sind.
- ♦ Gerät nicht benutzen, wenn die Zubehörteile mangelhaft sind. Ersetzen Sie diese sofort.
- ♦ Das Gerät darf in leerem Zustand, also ohne Inhalt, nicht benutzt werden.
- ♦ Benutzen Sie das Gerät nicht, wenn der An-/Ausschalter nicht funktioniert.
- ♦ Das Gerät nicht bewegen, während es in Betrieb ist.
- ♦ Verwenden Sie das Gerät nicht im gekippten oder umgedrehten Zustand.
- ♦ Solange das Gerät in Betrieb oder ans Netz geschlossen ist, darf es nicht umgedreht werden.
- ♦ Betriebskapazität des Geräts nicht überbeanspruchen.
- ♦ Dieser Apparat dient ausschließlich für Haushaltszwecke und ist für professionellen oder gewerblichen Gebrauch nicht geeignet.
- ♦ Das Gerät außerhalb der Reichweite von Kindern und/oder Personen mit eingeschränkten körperlichen, sensorischen oder geistigen Fähigkeiten bzw. Personen ohne ausreichende Erfahrung und Kenntnisse aufbewahren.
- ♦ Halten Sie das Gerät in gutem Zustand. Stellen Sie sicher, dass die beweglichen Teile ausgerichtet und nicht verklemt sind, und dass keine beschädigten Teile oder andere Bedingungen vorliegen, die den Betrieb des Geräts behindern können.
- ♦ Verwenden Sie dieses Gerät, seine Zubehörteile und seine Werkzeuge gemäß diesen Anleitungen und unter Berücksichtigung der Arbeitsbedingungen und der zu verrichtenden Arbeit. Der Gebrauch des Gerätes für andere als die vorgesehenen Zwecke kann gefährlich sein.
- ♦ Verwenden Sie immer den Stopfer, um Lebensmittel in den Einfüllschacht des Entsafters zu drücken. Niemals nur die Finger oder andere Hilfsmittel zum Eindrücken verwenden.
- ♦ Das Gerät darf nicht unbeaufsichtigt gelassen werden, während es am Netz angeschlossen ist.
- ♦ Das Gerät nie am Stromnetz angeschlossen und ohne Aufsicht lassen. Sie sparen dadurch Energie und verlängern die Gebrauchsdauer des Gerätes.
- ♦ Verwenden Sie das Gerät nicht länger als 30 Minuten in einem Ablauf.

- ♦ Verwenden Sie das Gerät nicht mit tiefgefrorenen Lebensmitteln oder Knochen.
- ♦ **WARNUNG:** Das Gerät nicht benutzen, wenn das Glas Risse aufweist oder zerbrochen ist.

Betrieb:

- ♦ Achten Sie darauf, dass Reparaturen am Gerät nur von einem Fachmann ausgeführt werden. Wenn Sie Betriebsmittel / Ersatzteile benötigen, dürfen diese nur Originalteile sein.
- ♦ **WARNUNG:** Wenn das Gerät nicht gemäß diesen Anleitungen gereinigt wird, kann ein Brandrisiko entstehen.
- ♦ Unsachgemäße Verwendung bzw. Nichteinhaltung der Gebrauchsanweisung kann Gefahren zur Folge haben und führt zum Erlöschen der Garantieansprüche sowie der Haftung des Herstellers.

Bezeichnung

- 1 Stopfer
- 2 Deckel der Saftschale
- 3 Filter
- 4 Tropfschale
- 5 Griff
- 6 Betriebsschalter
- 7 Motor-Basisgerät
- 8 Fruchtfleischbehälter
- 9 Saftbehälter

Wenn Sie meinen, dass das Gerät nicht mit dem oben angeführten Zubehör ausgestattet ist, können Sie die Teile auch einzeln beim Technischen Dienst erwerben.

Benutzungshinweise

Vor der Benutzung:

- ♦ Vergewissern Sie sich, dass Sie das gesamte Verpackungsmaterial des Produkts entfernt haben.
- ♦ Vor der Erstanwendung müssen die Einzelteile, die mit Nahrungsmitteln in Kontakt geraten, so wie im Absatz Reinigung beschrieben, gereinigt werden.
- ♦ Manche Teile des Bügeleisens wurden leicht eingefettet, weshalb das Bügeleisen bei der Erstanwendung ein bisschen dampfen kann. Nach kurzer Zeit wird dies aufhören.
- ♦ Das Gerät für die von Ihnen bestimmte Funktion vorbereiten.

Benutzung:

- ♦ Vor Anschluss das Kabel völlig ausrollen.
- ♦ Entnehmen Sie dem Kabelfach die Kabellänge, die Sie benötigen.

- ♦ Den Filter im oberen Gerätekörper anpassen.
- ♦ Stellen Sie sicher, dass der Filter(3)richtig angebracht ist, indem Sie ihn nach unten drücken.
- ♦ Den Schutzdeckel in der richtigen Position anbringen, so dass dieser sich nicht bewegen kann. (2).
- ♦ Schließen Sie das Gerät an das Stromnetz an.
- ♦ Ein Glas unter den Saftausgang des Geräts stellen.
- ♦ Den Fruchtfleischbehälter(8) in seiner Position anbringen.
- ♦ Das Gerät einschalten, indem Sie den Geschwindigkeits-Wahlschalter betätigen. I (geringe Geschwindigkeit) oder II (normale Geschwindigkeit)
- ♦ Die Geschwindigkeitsstufe 1 eignet sich für alle weichen Obst- und Gemüsesorten, wie Wassermelonen, Weintrauben, Tomaten, Gurken usw.
- ♦ Die Geschwindigkeitsstufe 2 eignet sich für alle sonstigen Obst- und Gemüsesorten, wie Äpfel, Karotten usw.
- ♦ **ACHTUNG:** Das Gerät lässt sich nicht einschalten, wenn die Geräteteile nicht richtig zusammengesetzt sind.
- ♦ Wählen Sie die Geschwindigkeit Stärke.
- ♦ Wählen Sie die Geschwindigkeit Stärke: I (geringe Geschwindigkeit) oder II (normale Geschwindigkeit)
- ♦ Die Geschwindigkeitsstufe I eignet sich für alle weichen Obst- und Gemüsesorten, wie Wassermelonen, Weintrauben, Tomaten, Gurken usw.
- ♦ Die Geschwindigkeitsstufe II eignet sich für alle sonstigen Obst- und Gemüsesorten, wie Äpfel, Karotten usw.
- ♦ Bearbeiten Sie das gewünschte Lebensmittel.
- ♦ Das in passende Stückchen geschnittene Obst oder Gemüse in die Öffnung in der Schutzabdeckung stecken.
- ♦ Mit dem Stopfer sanft drücken.
- ♦ Saft und Abfälle werden automatisch getrennt. Der Saft fließt in den Saftbehälter (9) und der Rest fällt in den Fruchtfleischbehälter (8).
- ♦ Üben Sie nicht zu viel Druck auf den Stopfer aus, da sonst die Qualität des Endergebnisses beeinträchtigt wird und der Filter sogar gestoppt werden kann.
- ♦ Den Motor nicht länger als 1 Minute in Folge betätigen. Ausschalten und den Motor mindestens 1 Minute lang auskühlen lassen. Anderenfalls kann es zu Schäden am Motor kommen.
- ♦ Verwenden Sie das Gerät nicht länger als 30 Minuten am Stück. Anderenfalls kann es zu Schäden am Motor kommen.
- ♦ Den Motor einige Sekunden lang laufen lassen, damit der restliche Saft herauslaufen kann.
- ♦ Vergewissern Sie sich, dass der Motor vollständig zum Stillstand gekommen ist, bevor Sie den Entsafter zerlegen.
- ♦ Den Saft- und den Fruchtfleischbehälter (H), den Stopfer

(1) und den Schutzdeckel herausnehmen (2).

- ♦ Zuerst den Filter (3), dann das Oberteil nach oben ziehen. (4).
- ♦ Um eine unsanfte Inbetriebnahme zu vermeiden, empfehlen wir, das Gerät mit der niedrigsten Geschwindigkeitsstufe einzuschalten und dann allmählich die gewünschte Gebläsedrehzahl einzustellen.
- ♦ Um einen zu abrupten Start zu vermeiden, erfolgt die Inbetriebnahme des Geräts progressiv.
- ♦ Das Gefäß mit dem Saft (9) in einen angemessen großen Behälter gießen
- ♦ Anmerkung: Wenn Sie eine große Menge Obst entsaften möchten, müssen Sie den Filter regelmäßig reinigen und die Fruchtfleischreste entfernen.

Nach der Benutzung des Geräts:

- ♦ Das Gerät ausschalten, indem Sie die Position 0 der Steuerung anwählen.
- ♦ Den Stecker aus der Netzdose ziehen.
- ♦ Das Kabel aufrollen und in das Kabelfach stecken.
- ♦ Reinigen Sie das Gerät.

Kabelfach

- ♦ Dieses Gerät ist mit einem Fach für das Stromnetz-kabel ausgestattet, das sich an der Unterseite befindet.
- ♦ Dieses Gerät ist mit einem Fach für das Stromnetz-kabel ausgestattet, das sich an der Unterseite befindet.

Wärmeschutzschalter:

- ♦ Das Gerät ist mit einem Wärmeschutzschalter ausgestattet, wodurch es gegen Überhitzung geschützt ist.
- ♦ Schaltet sich das Gerät von selbst aus und nicht wieder ein, unterbrechen Sie die Stromzufuhr, warten Sie 15 Minuten und schalten es wieder ein.

Reinigung

- ♦ Ziehen Sie den Stecker heraus und lassen Sie das Gerät abkühlen, bevor Sie mit der Reinigung beginnen.
- ♦ Reinigen Sie das Gerät mit einem feuchten Tuch, auf das Sie einige Tropfen Reinigungsmittel geben und trocknen Sie es danach ab.
- ♦ Verwenden Sie zur Reinigung des Geräts weder Löse- oder Scheuermittel noch Produkte mit einem sauren oder basischen pH-Wert wie z.B. Lauge.
- ♦ Lassen Sie kein Wasser oder andere Flüssigkeiten in die Belüftungsöffnungen eindringen, um Schäden an den inneren Funktionsteilen des Gerätes zu vermeiden.
- ♦ Die Filter entfernen. Mit warmer Seifenlauge oder in der

Geschirrspülmaschine waschen. Die Filter wieder in ihrer korrekten Position anbringen.

- ♦ Das Gerät nicht in Wasser oder andere Flüssigkeiten tauchen und nicht unter den Wasserhahn halten.
- ♦ Bei der Reinigung muss besonders auf die Schneideflächen geachtet werden, die besonders scharf sind.
- ♦ Es wird empfohlen, Speisereste regelmäßig vom Gerät zu entfernen.
- ♦ Halten Sie das Gerät nicht sauber, so könnten sich der Zustand seiner Oberfläche verschlechtern, seine Lebenszeit negativ beeinflusst und gefährliche Situationen verursacht werden.
- ♦ Folgende Teile sind für die Reinigung in warmem Seifenwasser oder in der Spülmaschine (kurzes Spülprogramm) geeignet:
 - Stopfer.
 - Schutzabdeckung.
 - Abnehmbarer Filter.
 - Filterhalter.
 - Fruchtfleischbehälter.
 - Saftgefäß.

- ♦ Die Abtropf-/Abtrock-Position der im Geschirrspüler oder Spülbecken spülbaren Teile muss einen ungehinderten Wasserablauf ermöglichen.
- ♦ Trocknen Sie alle Teile gut ab, bevor Sie das Gerät montieren und aufbewahren.

Störungen und Reparatur

- ♦ Bei Schäden und Störungen bringen Sie das Gerät zu einem zugelassenen Technischen Kundendienst. Versuchen Sie nicht, das Gerät selbst auseinanderzubauen und zu reparieren. Das könnte Gefahren zur Folge haben.

Für die EU-Ausführungen des Produkts und/oder für Länder, in denen diese Vorschriften anzuwenden sind:

Ökologie und Recycling des Produkts

- ♦ Die zur Herstellung des Verpackungsmaterials dieses Geräts verwendeten Materialien sind im Sammel-, Klassifizierungs- und Recyclingsystem integriert. Wenn Sie es entsorgen möchten, können Sie die öffentlichen Container für die einzelnen Materialarten verwenden.
- ♦ Das Produkt ist frei von umweltschädlichen Konzentrationen von Substanzen.



Dieses Symbol weist darauf hin, dass das Produkt, wenn Sie es am Ende seiner Lebensdauer entsorgen wollen, in geeigneter Weise bei einer zugelassenen Entsorgungsstelle abzugeben ist, um die getrennte Sammlung von Elektro- und Elektronikgeräte-Abfall (WEEE) sicherzustellen.



Dieses Symbol bedeutet, dass die Oberfläche beim Gebrauch sehr heiß werden kann.

Dieses Gerät erfüllt die Richtlinie 2014/35/EU über Niederspannung, die Richtlinie 2014/30/EU über elektromagnetische Verträglichkeit, die Richtlinie 2011/65/EU zur Beschränkung der Verwendung bestimmter gefährlicher Stoffe in Elektro- und Elektronikgeräten und die Richtlinie 2009/125/EG über die Anforderungen an die umweltgerechte Gestaltung energiebetriebener Produkte.

GARANTIE UND TECHNISCHER SERVICE

Dieses Produkt ist von der gesetzlichen Garantie gemäss der geltenden Gesetzgebung geschützt. Um Ihre Rechte und Interessen geltend zu machen, müssen Sie eines unserer offiziellen Servicezentren aufsuchen.

Über folgenden Link finden Sie ein Servicezentrum in Ihrer Nähe: <http://www.2helpu.com/>

Sie können auch Informationen anfordern, indem Sie sich mit uns in Verbindung setzen (siehe letzte Seite des Handbuchs).

Sie können dieses Benutzerhandbuch und seine Aktualisierungen unter <http://www.2helpu.com/>

**Centrifuga
BXJE600E****Egregio cliente,**

Le siamo grati per aver acquistato un elettrodomestico della marca Black+Decker.

La sua tecnologia, il suo design e la sua funzionalità, oltre al fatto di aver superato le più rigorose norme di qualità, le assicureranno una totale e durevole soddisfazione.

Consigli e avvertenze per la sicurezza

- ◆ Prima di utilizzare l'apparecchio, leggere attentamente le istruzioni riportate nel presente opuscolo e conservarlo per future consultazioni. La mancata osservanza delle presenti istruzioni può essere causa di incidenti.
- ◆ Prima del primo utilizzo dell'apparecchio, si consiglia di pulire tutte le parti a contatto con gli alimenti, come indicato nella sezione dedicata alla pulizia.
- ◆ L'apparecchio non deve essere utilizzato da bambini. Mantenere l'apparecchio e le parti per il collegamento alla rete elettrica fuori dalla portata di bambini.
- ◆ Questo apparecchio è idoneo per l'utilizzo da parte di persone con capacità fisiche, sensoriali o mentali ridotte o da persone non familiari con la manipolazione dello stesso, purché sorvegliati o debitamente informati sull'utilizzo in sicurezza della macchina e sui potenziali pericoli associati.
- ◆ Questo apparecchio non è un giocattolo. Assicurarsi che i bambini non giochino con l'apparecchio.
- ◆ Le lame dell'apparecchio sono affilate e possono provocare lesioni. Procedere con cautela ed evitare il contatto diretto con il filo delle lame.
- ◆ Prestar particolare attenzione durante il maneggiamento delle lame, le operazioni di montaggio e smontaggio e lo svuotamento del recipiente per la pulizia.
- ◆ Spegnerne et scollegare l'apparecchio dalla rete elettrica quando non è in uso e prima di effettuare qualsiasi operazione di pulizia, assemblaggio o cambio di accessori
- ◆ Non utilizzare l'apparecchio se il setaccio girevole è danneggiato o il coperchio di protezione è danneggiato o presenta delle crepe.
- ◆ Se la connessione alla rete elettrica è danneggiata, è necessario sostituirla, rivolgendosi a un Centro di Assistenza Tecnica autorizzato. Non tentare di smontare o di riparare l'apparecchio.
- ◆ Prima di collegare l'apparecchio alla rete elettrica, verificare che il voltaggio indicato sulla targhetta caratteristiche e il selettore di voltaggio corrispondano al voltaggio della rete.
- ◆ Collegare l'apparecchio a una presa di corrente che sopporti come minimo 10 ampere.
- ◆ Verificare che la presa sia adatta alla spina dell'apparecchio. Non apportare alcuna modifica alla spina. Non usare adattatori.
- ◆ Mantenere l'area di lavoro pulita e ben illuminata. È più probabile che si verifichino incidenti in aree non adeguate.

tamente illuminate e ordinate.

- ♦ Non collocare l'apparecchio su superfici calde come piastre di cottura, bruciatori a gas, forni o simili.
- ♦ L'apparecchio deve essere collocato e utilizzato su una superficie piana e stabile.
- ♦ Non utilizzare l'apparecchio se il cavo di alimentazione o la spina fossero danneggiati.
- ♦ In caso di rottura di una parte dell'involucro esterno dell'apparecchio, scollegare immediatamente la spina dalla presa di corrente al fine di evitare eventuali scariche elettriche.
- ♦ Non usare l'apparecchio dopo una caduta, se presenta danni visibili o in presenza di qualsiasi perdita.
- ♦ Non tirare il cavo elettrico. Non usare mai il cavo elettrico per sollevare, trasportare o scollegare l'apparecchio.
- ♦ Non avvolgere il cavo di alimentazione attorno all'apparecchio.
- ♦ Non lasciare che il cavo rimanga impigliato o attorcigliato.
- ♦ Non lasciare che il cavo di connessione entri in contatto con le superfici calde dell'apparecchio.
- ♦ Non lasciare che il cavo di connessione penda dal tavolo o entri a contatto con le superfici calde dell'apparecchio.
- ♦ Controllare lo stato del cavo di alimentazione: I cavi danneggiati o attorcigliati aumentano il rischio di scariche elettriche.
- ♦ Ispezionare regolarmente il cavo di alimentazione per individuare segni di danneggiamento, nel qual caso non è consentito l'utilizzo dell'apparecchio.
- ♦ Non usare o esporre l'apparecchio alle intemperie.
- ♦ Non lasciare l'apparecchio sotto la pioggia o in luoghi umidi. Le infiltrazioni d'acqua aumentano il rischio di scariche elettriche.
- ♦ Non toccare mai la spina con le mani bagnate.
- ♦ Prima dell'utilizzo, accertarsi che le lame siano saldamente fissate all'apparecchio.
- ♦ Non toccare mai le parti in movimento quando l'apparecchio è in funzione.
- ♦ Fare attenzione dopo l'arresto dell'apparecchio, dal momento che lo strumento continuerà a ruotare per effetto di inerzia meccanica.
- ♦ Durante il funzionamento dell'apparecchio la temperatura delle superfici accessibili potrebbe arrivare ad essere elevata.

Precauzioni d'uso:

- ♦ Prima di ogni utilizzo, svolgere completamente il cavo dell'apparecchio.
- ♦ Non utilizzare l'apparecchio se gli accessori non sono

accoppiati correttamente.

- ♦ Non utilizzare l'apparecchio se gli accessori presentano dei difetti. Proceda a sostituirli immediatamente.
- ♦ Non avviare mai l'apparecchio a vuoto (senza aver inserito gli alimenti).
- ♦ Non utilizzare l'apparecchio se il suo dispositivo di accensione/spengimento non è funzionante.
- ♦ Non muovere l'apparecchio durante l'uso
- ♦ Non utilizzare l'apparecchio inclinato, né capovolgerlo.
- ♦ Non capovolgere l'apparecchio se è in funzione o collegato alla presa.
- ♦ Non forzare la capacità di lavoro dell'apparecchio.
- ♦ Questo apparecchio è destinato unicamente ad un uso domestico, non professionale o industriale.
- ♦ Conservare questo apparecchio fuori dalla portata dei bambini e/o di persone con problemi fisici, mentali o di sensibilità, o con mancanza di esperienza e conoscenza.
- ♦ Mantenere l'apparecchio in buono stato. Verificare che le parti mobili siano ben fissate e che non rimangono incastrate, che non ci siano pezzi rotti e che non si verifichino altre situazioni che possano nuocere al buon funzionamento dell'apparecchio.
- ♦ Usare l'apparecchio, i suoi accessori e gli utensili secondo queste istruzioni, tenendo in considerazione le condizioni di lavoro e il lavoro da svolgere. Utilizzare l'apparecchio per operazioni diverse da quelle previste potrebbe causare una situazione di pericolo.
- ♦ Per spingere l'alimento del tubo di riempimento, utilizzare sempre il beccuccio di spinta, non usare mai le dita o altri accessori.
- ♦ Usare sempre l'apparecchio sotto supervisione.
- ♦ Non lasciare mai l'apparecchio collegato alla rete elettrica e senza controllo. Si risparmierà inoltre energia e si prolungherà la vita dell'apparecchio stesso.
- ♦ Non utilizzare l'apparecchio per oltre 30 minuti di seguito.
- ♦ Non utilizzare l'apparecchio con ossa o alimenti congelati.
- ♦ **AVVERTENZA:** Non utilizzare l'apparecchio se il vetro è incrinato o rotto.

Servizio:

- ♦ Assicurarsi che il servizio di manutenzione dell'apparecchio sia eseguito da personale specializzato e che, se si dovessero necessitare materiali di consumo/ricambi, questi siano originali.
- ♦ **AVVERTENZA:** Nel caso in cui la pulizia dell'apparecchio non sia stata eseguita in conformità a queste istruzioni può esistere il rischio d'incendio.
- ♦ Il produttore invalida la garanzia e declina ogni respon-

sabilità in caso di uso inappropriato dell'apparecchio o non conforme alle istruzioni d'uso.

Descrizione

- 1 Beccuccio di spinta
- 2 Copertura del recipiente del succo
- 3 Filtro
- 4 Recipiente
- 5 Manico
- 6 Interruttore
- 7 Base motore
- 8 Contenitore della polpa
- 9 Contenitore per il succo

Se il modello del Suo apparecchio non fosse dotato degli accessori anteriormente elencati, può acquistarli separatamente presso i punti di assistenza tecnica autorizzati.

Modalità d'uso

Prima dell'uso:

- ♦ Assicurarsi di aver rimosso dal prodotto tutto il materiale di imballaggio.
- ♦ Prima del primo utilizzo dell'apparecchio, si consiglia di pulire tutte le parti a contatto con gli alimenti, come indicato nella sezione dedicata alla pulizia.
- ♦ Alcune parti dell'apparecchio sono state leggermente lubrificate pertanto potrebbe uscire del fumo quando si connette l'apparecchio per la prima volta. Dopo un certo tempo il fumo cessa di uscire.
- ♦ Preparare l'apparecchio secondo la funzione che si desidera realizzare:

Uso:

- ♦ Srotolare completamente il cavo prima di attaccare la spina.
- ♦ Togliere dall'alloggiamento cavo, la lunghezza di cavo di cui si ha bisogno.
- ♦ Regolare il filtro nel corpo superiore.
- ♦ Assicurarsi che il filtro (3) sia ben posizionato premendolo verso il basso.
- ♦ Collocare il coperchio protettore nella corretta posizione, in modo che rimanga bloccato. (2).
- ♦ Collegare l'apparato alla rete elettrica.
- ♦ Posizionare un bicchiere sotto l'uscita del succo.
- ♦ Collocare il serbatoio della polpa (8) nella sua posizione.
- ♦ Avviare l'apparecchio azionando il selettore di velocità: I (velocità lenta) o II (velocità normale).
- ♦ La velocità 1 è consigliata soprattutto per frutta e verdura di consistenza morbida, come anguria, uva, pomodori, cetrioli...

- ♦ La velocità 2 è ideale per tutti gli altri tipi di frutta e verdura, come mele o carote.
- ♦ **ATTENZIONE:** Se le parti dell'apparecchio non sono correttamente posizionate, lo stesso non inizierà a funzionare.
- ♦ Selezionare la velocità desiderata.
- ♦ Selezionare la velocità desiderata: I (velocità lenta) o II (velocità normale).
- ♦ La velocità I è consigliata soprattutto per frutta e verdura di consistenza morbida, come anguria, uva, pomodori, cetrioli...
- ♦ La velocità II è ideale per tutti gli altri tipi di frutta e verdura, come mele, carote...
- ♦ Lavorare con gli alimenti che si desidera trattare.
- ♦ Introdurre la frutta o la verdura, adeguatamente tagliata, nella corrispondente apertura del coperchio di protezione.
- ♦ Premere dolcemente con il beccuccio di spinta.
- ♦ Il succo e i resti saranno automaticamente separati. Il succo uscirà nel serbatoio del succo (9) e i resti nel serbatoio della polpa (8).
- ♦ Non esercitare una pressione eccessiva con il beccuccio, giacché potrebbe influire sulla qualità del risultato o persino provocare un arresto del filtro.
- ♦ Non far funzionare il motore per oltre 1 minuto di seguito. Spegnerlo e lasciar raffreddare il motore per almeno 1 minuto. Altrimenti, si corre il rischio di danneggiare il motore.
- ♦ Non utilizzare l'apparecchio ininterrottamente per più di 30 minuti. Altrimenti, si corre il rischio di danneggiare il motore.
- ♦ Dopo aver terminato, lasciar funzionare il motore alcuni secondi, affinché finisca di colare tutto il succo.
- ♦ Prima di aprire la centrifuga, assicurarsi che il motore sia completamente spento.
- ♦ Rimuovere i serbatoi del succo e della polpa (H), il beccuccio premitore (1) e il coperchio di protezione (2).
- ♦ Rimuovere prima il filtro (3) e poi il corpo superiore (4).
- ♦ Per evitare un avvio troppo brusco, consigliamo di accendere l'apparecchio lasciando il comando selettore di potenza nella posizione di minimo, e poi, quando l'apparecchio abbia iniziato a funzionare, spostarlo alla potenza desiderata.
- ♦ Per evitare un avvio troppo brusco, l'accensione dell'apparecchio è progressiva.
- ♦ Svuotare la caraffa del succo (9), versandone il contenuto nel/nei recipiente/i da tavola desiderati.
- ♦ Nota: Se si centrifuga una gran quantità di frutta, si dovrà pulire il filtro e rimuovere i resti di polpa periodicamente.

Una volta concluso l'utilizzo dell'apparecchio:

- ◆ Spegnerne l'apparecchio, posizionando il selettore in posizione 0.
- ◆ Scollegare l'apparecchio dalla rete.
- ◆ Ritirare il cavo e posizionarlo nell'apposito scomparto.
- ◆ Pulire l'apparecchio.

Alloggiamento cavo

- ◆ Questo apparecchio dispone di un alloggiamento per il cavo di connessione alla rete elettrica situato nella parte inferiore.
- ◆ Questo apparecchio dispone di un alloggiamento per il cavo di connessione alla rete elettrica situato nella parte inferiore.

Protettore termico di sicurezza:

- ◆ L'apparecchio possiede un dispositivo termico di sicurezza che lo protegge da qualsiasi surriscaldamento.
- ◆ Se l'apparecchio si sconnette da solo e non si riconnette, scollegarlo dalla presa e attendere circa 15 minuti prima di connetterlo di nuovo. Se ancora non funziona, rivolgersi ad un centro d'assistenza tecnica autorizzato.
- ◆ Pulizia
- ◆ Scollegare la spina dalla rete elettrica e aspettare che l'apparecchio si raffreddi prima di eseguirne la pulizia.
- ◆ Pulire il gruppo elettrico con un panno umido, quindi asciugarlo.
- ◆ Per la pulizia non impiegare solventi o prodotti a pH acido o basico come la candeggina, né prodotti abrasivi.
- ◆ Non lasciar entrare acqua o altri liquidi nelle fenditure del sistema di ventilazione per non danneggiare le parti operative dell'apparecchio.
- ◆ Rimuovere i filtri. Lavarli in acqua calda con sapone o nella lavastoviglie. Collocarli nuovamente nella corretta posizione.
- ◆ Non immergere l'apparecchio in acqua o altri liquidi, né lavarlo con acqua corrente.
- ◆ Le lame dell'apparecchio sono particolarmente affilate; durante la pulizia, maneggiare con cura.
- ◆ Si raccomanda di pulire l'apparecchio periodicamente e di rimuovere tutti i residui di cibo.
- ◆ La mancata pulizia periodica dell'apparecchio può provocare il deterioramento delle superfici, compromettendone la durata operativa e la sicurezza.
- ◆ I seguenti pezzi possono essere lavati con acqua e detersivo o in lavastoviglie (usando un programma di lavaggio leggero):
 - Beccuccio premitore.

- Coperchio di protezione.
- Filtro estraibile.
- Porta-filtri.
- Contenitore della polpa.
- Caraffa per succo.

- ◆ La posizione di sgocciolamento/asciugatura dei pezzi lavabili nella lavastoviglie o a mano deve permettere che l'acqua scoli facilmente.
- ◆ Prima di montare e riporre l'apparecchio, asciugare bene tutti i pezzi.

Anomalie e riparazioni

- ◆ In caso di guasto, rivolgersi ad un Centro d'Assistenza Tecnica autorizzato. Non tentare di smontare o di riparare l'apparecchio: può essere pericoloso.

Per i prodotti dell'Unione Europea e/o nel caso in cui sia previsto dalla legislazione del Suo paese di origine:

Prodotto ecologico e riciclabile

- ◆ I materiali che costituiscono l'imballaggio di questo apparecchio sono compresi in un sistema di raccolta, classificazione e riciclaggio degli stessi. Per lo smaltimento, utilizzare gli appositi contenitori pubblici, adatti per ogni tipo di materiale.
- ◆ Il prodotto non contiene concentrazioni di sostanze considerate dannose per l'ambiente.



Questo simbolo indica che, per smaltire il prodotto al termine della sua durata utile, occorre depositarlo presso un ente di smaltimento autorizzato alla raccolta differenziata di rifiuti di apparecchiature elettriche ed elettroniche (RAEE).



Questo simbolo indica che la superficie si può riscaldare durante l'uso.

Questo apparecchio rispetta la Direttiva 2014/35/UE di Bassa Tensione, la Direttiva 2014/30/UE di Compatibilità Elettromagnetica, la Direttiva 2011/65/UE sui limiti d'impiego di determinate sostanze pericolose negli apparecchi elettrici ed elettronici e la Direttiva 2009/125/CE riguardante l'Ecodesign dei prodotti che consumano energia.

GARAZIA E ASSISTENZA TECNICA

Questo prodotto possiede il riconoscimento e la protezione della garanzia legale di conformità con la legislazione vigente. Per far valere i suoi diritti o interessi, dovrà rivolgersi a uno qualsiasi dei nostri servizi ufficiali di assistenza tecnica.

Può trovare il più vicino cliccando sul seguente link: <http://www.2helpu.com/>

Inoltre, può richiedere informazioni mettendosi in contatto con noi (consultare l'ultima pagina del manuale).

Può scaricare questo manuale di istruzioni e i suoi aggiornamenti da <http://www.2helpu.com/>

Licudadora BXJE600E

Distinguido cliente:

Le agradecemos que se haya decidido por la compra de un producto de la marca Black+Decker.

Su tecnología, diseño y funcionalidad, junto con el hecho de superar las más estrictas normas de calidad le comportarán total satisfacción durante mucho tiempo.

Consejos y advertencias de seguridad

- ◆ Leer atentamente este folleto de instrucciones antes de poner el aparato en marcha y guardarlo para posteriores consultas. La no observación y cumplimiento de estas instrucciones pueden comportar como resultado un accidente.
- ◆ Antes del primer uso, limpiar todas las partes del producto que puedan estar en contacto con alimentos, procediendo tal como se indica en el apartado de limpieza.
- ◆ Este aparato no debe ser usado por niños. Mantener el aparato y su conexión de red fuera del alcance de los niños.
- ◆ Este aparato pueden utilizarlo personas con capacidades físicas, sensoriales o mentales reducidas o falta de experiencia y conocimiento, si se les ha dado la supervisión o formación apropiadas respecto al uso del aparato de una manera segura y comprenden los peligros que implica.
- ◆ Este aparato no es un juguete. Los niños deben estar bajo vigilancia para asegurar que no jueguen con el aparato.
- ◆ Las cuchillas están afiladas y existe riesgo de corte, proceder con cautela y evitar el contacto directo con el filo de las mismas.
- ◆ Prestar especial atención durante el manejo de las cuchillas, durante operaciones de montaje y desmontaje, vaciado de jarra y limpieza.
- ◆ Desconectar el aparato y desenchufar la alimentación si se deja desatendido y antes de cambiar los accesorios o partes próximas que se mueven durante el uso, del montaje, del desmontaje o de la limpieza.
- ◆ No usar el aparato si el tamiz giratorio está dañado o la tapa protectora está dañada o tiene grietas.
- ◆ Si la conexión red está dañada, debe ser substituida, llevar el aparato a un Servicio de Asistencia Técnica autorizado. Con el fin de evitar un peligro, no intente desmontarlo o repararlo por sí mismo.
- ◆ Antes de conectar el aparato a la red, verificar que el voltaje indicado en la placa de características coincide con el voltaje de red.
- ◆ Conectar el aparato a una base de toma de corriente que soporte como mínimo 10 amperios.
- ◆ La clavija del aparato debe coincidir con la base eléctrica de la toma de corriente. Nunca modificar la clavija. No usar adaptadores de clavija.
- ◆ Mantener el área de trabajo limpia y bien iluminada. Las

áreas desordenadas y oscuras son propensas a que ocurran accidentes.

- ♦ No colocar el aparato sobre superficies calientes tales como placas de cocción, quemadores de gas, hornos o similares.
- ♦ El aparato debe utilizarse y colocarse sobre una superficie plana y estable.
- ♦ No utilizar el aparato con el cable eléctrico o la clavija dañada.
- ♦ Si alguna de las envoltentes del aparato se rompe, desconectar inmediatamente el aparato de la red para evitar la posibilidad de sufrir un choque eléctrico.
- ♦ No utilizar el aparato si ha caído, si hay señales visibles de daños, o si existe fuga.
- ♦ No forzar el cable eléctrico de conexión. Nunca usar el cable eléctrico para levantar, transportar o desenchufar el aparato.
- ♦ No enrollar el cable eléctrico de conexión alrededor del aparato.
- ♦ No dejar que el cable eléctrico de conexión quede atrapado o arrugado.
- ♦ No dejar que el cable eléctrico de conexión quede en contacto con las superficies calientes del aparato.
- ♦ No dejar que el cable eléctrico de conexión quede colgando de la mesa o quede en contacto con las superficies calientes del aparato.
- ♦ Verificar el estado del cable eléctrico de conexión. Los cables dañados o enredados aumentan el riesgo de choque eléctrico.
- ♦ El cable de alimentación debe ser examinado regularmente en busca de signos de daño, y si está dañado, el aparato no tiene que usarse.
- ♦ No utilizar ni guardar el aparato a la intemperie.
- ♦ No exponer el aparato a la lluvia o condiciones de humedad. El agua que entre en el aparato aumentará el riesgo de choque eléctrico.
- ♦ No tocar la clavija de conexión con las manos mojadas.
- ♦ Antes de utilizar el aparato asegúrese que la cuchilla/s estén bien fijadas al aparato.
- ♦ No tocar las partes móviles del aparato en marcha.
- ♦ Tener precaución después de la operación de paro del aparato, ya que la cuchilla/s seguirán girando por efecto de su inercia mecánica.
- ♦ La temperatura de las superficies accesibles puede ser elevada cuando el aparato está en funcionamiento.

Utilización y cuidados:

- ♦ Antes de cada uso, desenrollar completamente el cable de alimentación del aparato.

- ♦ No usar el aparato si sus accesorios no están debidamente acoplados.
- ♦ No usar el aparato si los accesorios acoplados a él presentan defectos. Proceda a sustituirlos inmediatamente.
- ♦ No utilizar el aparato en vacío, o sea sin carga.
- ♦ No usar el aparato si su dispositivo de puesta en marcha/paro no funciona.
- ♦ No mover el aparato mientras está en uso.
- ♦ No utilizar el aparato inclinado, ni darle la vuelta.
- ♦ No dar la vuelta al aparato mientras está en uso o conectado a la red.
- ♦ No forzar la capacidad de trabajo del aparato.
- ♦ Este aparato está pensado únicamente para un uso doméstico, no para uso profesional o industrial.
- ♦ Guardar este aparato fuera del alcance de los niños y/o personas con capacidades físicas, sensoriales o mentales reducidas o falta de experiencia y conocimiento.
- ♦ Mantener el aparato en buen estado. Compruebe que las partes móviles no estén desalineadas o trabadas, que no haya piezas rotas u otras condiciones que puedan afectar al buen funcionamiento del aparato.
- ♦ Usar este aparato, sus accesorios y herramientas de acuerdo con estas instrucciones, teniendo en cuenta las condiciones de trabajo y el trabajo a realizar. Usar el aparato para operaciones diferentes a las previstas podría causar una situación de peligro.
- ♦ Para empujar el alimento del tubo de llenado utilizar siempre el empujador, nunca usar los dedos u otros accesorios.
- ♦ Usar siempre el aparato bajo vigilancia.
- ♦ No dejar nunca el aparato conectado y sin vigilancia. Además ahorrará energía y prolongará la vida del aparato.
- ♦ No utilizar el aparato más de 30 minutos seguidos.
- ♦ No usar el aparato con alimentos congelados o huesos.
- ♦ **ADVERTENCIA:** No usar el aparato si el cristal está agrietado o roto.

Servicio:

- ♦ Cerciorarse que el servicio de mantenimiento del aparato sea realizado por personal especializado, y que caso de precisar consumibles/recambios, éstos sean originales.
- ♦ **ADVERTENCIA:** Existe el riesgo de incendio en caso de que la limpieza del aparato no se realice conforme a estas instrucciones.
- ♦ Toda utilización inadecuada, o en desacuerdo con las instrucciones de uso, puede comportar peligro, anulando la garantía y la responsabilidad del fabricante.

Descripción

- 1 Empujador
- 2 Cubierta de bandeja de zumo
- 3 Filtro
- 4 Bandeja
- 5 Asa
- 6 Interruptor
- 7 Base motor
- 8 Depósito de pulpa
- 9 Depósito de zumo

Caso de que su modelo de aparato no disponga de los accesorios descritos anteriormente, éstos también pueden adquirirse por separado en los Servicios de Asistencia Técnica.

Modo de empleo

Notas previas al uso:

- ♦ Asegúrese de que ha retirado todo el material de embalaje del producto.
- ♦ Antes de usar el producto por primera vez, limpie las partes en contacto con alimentos tal como se describe en el apartado de Limpieza.
- ♦ Algunas partes del aparato han sido ligeramente engrasadas, en consecuencia al poner en marcha el aparato por primera vez puede desprender un ligero humo. Al cabo de poco tiempo este humo cesará.
- ♦ Preparar el aparato acorde a la función que desee realizar:

Uso:

- ♦ Desenrollar completamente el cable antes de enchufar.
- ♦ Extraer del alojamiento cable, la longitud de cable que precise.
- ♦ Ajustar el filtro en el cuerpo superior.
- ♦ Asegurarse de que el filtro (3) está bien colocado, presionando hacia abajo en su posición.
- ♦ Colocar la tapa protectora en posición correcta, de forma que quede inmovilizada. (2).
- ♦ Enchufar el aparato a la red eléctrica.
- ♦ Situar un vaso a la salida de zumo del aparato.
- ♦ Colocar el depósito de pulpa (8) en la posición.
- ♦ Poner en marcha el aparato accionando el selector de velocidad: I (velocidad lenta) o II (velocidad normal).
- ♦ La velocidad 1 se recomienda sobre todo para frutas y verduras de textura blanda como sandías, uvas, tomates, pepinos...
- ♦ La velocidad 2 es ideal para todos los demás tipos de fruta y verdura, como manzanas o zanahorias.
- ♦ ATENCIÓN: Si las partes del aparato no están correc-

tamente colocadas, el aparato no entrará en funcionamiento.

- ♦ Seleccionar la velocidad deseada.
- ♦ Seleccionar la velocidad deseada: I (Velocidad lenta) o II (Velocidad normal).
- ♦ La velocidad I se recomienda sobre todo para frutas y verduras de textura blanda como sandías, uvas, tomates, pepinos...
- ♦ La velocidad II es ideal para todos los demás tipos de fruta y verdura, como manzanas, zanahorias...
- ♦ Trabajar el alimento que desee procesar.
- ♦ Introducir la fruta o verdura, debidamente cortada, en la abertura correspondiente de la tapa protectora.
- ♦ Presionar suavemente con el empujador.
- ♦ El zumo y los residuos saldrán automáticamente separados. El zumo hacia el depósito de zumo (9) y los residuos hacia el depósito de pulpa (8).
- ♦ No ejercer excesiva presión con el prensador, ya que podría afectar a la calidad del resultado final o incluso provocar que el filtro se detenga.
- ♦ No hacer funcionar el motor más de 1 minuto seguidos. Apagar y dejar enfriar el motor al menos 1 minuto. En caso contrario, el motor podría dañarse.
- ♦ No utilizar el aparato más de 30 minutos seguidos. En caso contrario, el motor podría dañarse.
- ♦ Una vez terminado dejar el motor en marcha unos segundos para que se acabe de escurrir el zumo.
- ♦ Antes de abrir la licuadora, asegurarse de que el motor está completamente parado.
- ♦ Retirar los depósitos de zumo y pulpa (H), el prensador (1) y la tapa protectora (2).
- ♦ Tirar primero del filtro (3), y más tarde del cuerpo superior (4).
- ♦ Para evitar un arranque demasiado brusco, recomendamos efectuar la puesta en marcha con el mando selector de potencia situado en su posición mínima, y progresivamente una vez el aparato ha arrancado, situarlo a la zona de potencia deseada.
- ♦ Para evitar un arranque demasiado brusco, la puesta en marcha del aparato es de forma progresiva.
- ♦ Vaciar la jarra de zumo (9), vertiendo su contenido al /los recipientes para servicio de mesa que guste.
- ♦ Nota: Si procesa gran cantidad de fruta, periódicamente deberá proceder a limpiar el filtro y retirar los restos de pulpa.

Una vez finalizado el uso del aparato:

- ♦ Parar el aparato, seleccionando la posición 0 del mando selector.

- ♦ Desenchufar el aparato de la red eléctrica.
- ♦ Recoger el cable y situarlo en el alojamiento cable.
- ♦ Limpiar el aparato.

Alojamiento Cable

- ♦ Este aparato dispone de un alojamiento para el cable de conexión a la red situado en su parte trasera.
- ♦ Este aparato dispone de un alojamiento para el cable de conexión a la red situado en su parte inferior.

Protector térmico de seguridad:

- ♦ El aparato dispone de un dispositivo térmico de seguridad que protege el aparato de cualquier sobrecalentamiento.
- ♦ Si el aparato se desconecta por sí mismo y no vuelve a conectarse, proceder a desenchufarlo de la red, esperar unos 15 minutos antes de volver a conectarlo, Si sigue sin funcionar, acudir a uno de los servicios de asistencia técnica autorizados.

Limpieza

- ♦ Desenchufar el aparato de la red y dejarlo enfriar antes de iniciar cualquier operación de limpieza.
- ♦ Limpiar el aparato con un paño húmedo impregnado con unas gotas de detergente y secarlo después.
- ♦ No utilizar disolventes, ni productos con un factor pH ácido o básico como la lejía, ni productos abrasivos, para la limpieza del aparato.
- ♦ No deje entrar agua u otro líquido por las aberturas de ventilación para evitar daños en las partes operativas interiores del aparato.
- ♦ Retirar los filtros. Lavarlos en agua caliente jabonosa o en el lavavajillas. Volver a colocarlos en posición correcta.
- ♦ No sumergir el aparato en agua u otro líquido, ni ponerlo bajo el grifo.
- ♦ Durante el proceso de limpieza hay que tener especial cuidado con las cuchillas ya que están muy afiladas.
- ♦ Se recomienda limpiar el aparato regularmente y retirar todos los restos de alimentos.
- ♦ Si el aparato no se mantiene en buen estado de limpieza, su superficie puede degradarse y afectar de forma inexorable la duración de la vida del aparato y conducir a una situación peligrosa.
- ♦ Las siguientes piezas son aptas para su limpieza en agua caliente jabonosa o en el lavavajillas (usando un programa suave de lavado):
 - Prensador.
 - Tapa protectora.

- Filtro extraíble.
- Porta filtros.
- Contenedor de pulpa.
- Jarra para zumo.

- ♦ La posición de escurrido/secado de las piezas lavables en el lavavajillas o fregadero debe permitir el escurrido del agua con facilidad.
- ♦ A continuación, seque todas las piezas antes de su montaje y guardado.

Anomalías y reparación

- ♦ En caso de avería llevar el aparato a un Servicio de Asistencia Técnica autorizado. No intente desmontarlo o repararlo ya que puede existir peligro.

Para las versiones EU del producto y/o en el caso de que en su país aplique:

Ecología y reciclabilidad del producto

- ♦ Los materiales que constituyen el envase de este aparato, están integrados en un sistema de recogida, clasificación y reciclado de los mismos. Si desea deshacerse de ellos, puede utilizar los contenedores públicos apropiados para cada tipo de material.
- ♦ El producto está exento de concentraciones de sustancias que se puedan considerar dañinas para el medio ambiente.

♦



Este símbolo significa que si desea deshacerse del producto, una vez transcurrida la vida del mismo, debe depositarlo por los medios adecuados a manos de un gestor de residuos autorizado para la recogida selectiva de Residuos de Aparatos Eléctricos y Electrónicos (RAEE).



Este símbolo indica que la superficie puede calentarse durante el uso.

Este aparato cumple con la Directiva 2014/35/EU de Baja Tensión, con la Directiva 2014/30/EU de Compatibilidad Electromagnética, con la Directiva 2011/65/EU sobre restricciones a la utilización de determinadas sustancias peligrosas en aparatos eléctricos y electrónicos y con la Directiva 2009/125/EC sobre los requisitos de diseño ecológico aplicable a los productos relacionados con la energía.

GARANTÍA Y ASISTENCIA TÉCNICA

Este producto goza del reconocimiento y protección de la garantía legal de acuerdo con la legislación vigente. Para hacer valer sus derechos o intereses, debe acudir a cualquiera de nuestros servicios oficiales de asistencia técnica.

Puede encontrar el más cercano accediendo al siguiente enlace web: <http://www.2helpu.com/>

También puede solicitar información relacionada poniéndose en contacto con nosotros (consulte la última página del manual).

Puede descargar este manual de instrucciones y sus actualizaciones en <http://www.2helpu.com/>

Liquidificadora BXJE600E

Caro cliente:

Obrigado por ter adquirido um eletrodoméstico da marca Black+Decker.

A sua tecnologia, design e funcionalidade, aliados às mais rigorosas normas de qualidade, garantir-lhe-ão uma total satisfação durante muito tempo.

Conselhos e advertências de segurança

- ◆ Leia atentamente este manual de instruções antes de ligar o aparelho e guarde-o para consultas futuras. A não observância e cumprimento destas instruções pode resultar em acidente.
- ◆ Antes da primeira utilização, limpe todas as partes do aparelho que possam estar em contacto com os alimentos, procedendo como se indica no capítulo de limpeza.
- ◆ Este aparelho não deve ser utilizado por crianças. Mantenha o aparelho e respetivo cabo de alimentação fora do alcance das crianças.
- ◆ Este aparelho pode ser utilizado por pessoas com incapacidades físicas, sensoriais ou mentais, ou por pessoas inexperientes, desde que o façam sob supervisão ou tenham recebido formação sobre a utilização segura do aparelho e compreendam os perigos que este comporta.
- ◆ Este aparelho não é um brinquedo. As crianças devem ser vigiadas para garantir que não brincam com o aparelho.
- ◆ As lâminas estão afiadas e podem causar danos. Proceda com cautela e evite o contacto directo com o gume.
- ◆ Preste especial atenção ao manipular as lâminas durante as operações de montagem e desmontagem, ao esvaziar a taça e durante a limpeza.
- ◆ Desligue o aparelho da corrente elétrica quando não estiver a utilizá-lo e antes de realizar qualquer operação de limpeza, ajuste, carregamento ou troca de acessórios
- ◆ Não utilizar o aparelho se o passador giratório estiver danificado ou a tampa protetora estiver danificada ou rachada.
- ◆ Se a ligação à corrente estiver danificada, deverá ser substituída. Leve o aparelho a um Serviço de Assistência Técnica autorizado. A fim de evitar o perigo, não tente desmontá-lo ou repará-lo sozinho.
- ◆ Antes de ligar o aparelho à corrente, verifique se a tensão indicada na placa de características corresponde à tensão da rede.
- ◆
- ◆
- ◆ Ligue o aparelho a uma tomada elétrica com ligação a terra e que suporte 10 amperes.
- ◆
- ◆ A ficha do aparelho deve coincidir com a tomada de corrente elétrica. Nunca modifique a ficha. Não use adaptadores de ficha.
- ◆ Mantenha a área de trabalho limpa e bem iluminada. As áreas desordenadas e escuras propiciam a ocorrência

de acidentes.

- ♦ Não coloque o aparelho em cima de superfícies quentes tais como placas elétricas, queimadores a gás, fornos, etc.
- ♦ O aparelho deve ser utilizado e colocado sobre uma superfície plana e estável.
- ♦ Não utilize o aparelho se tiver o cabo elétrico ou a ficha danificados.
- ♦ Se algum dos revestimentos do aparelho se partir, desligue imediatamente o aparelho da corrente para evitar a possibilidade de sofrer um choque elétrico.
- ♦ Não utilize o aparelho se este caiu e se existirem sinais visíveis de danos ou de fuga.
- ♦ Não force o cabo elétrico. Nunca utilize o cabo de alimentação para levantar, transportar ou desligar o aparelho da corrente.
- ♦ Não enrole o cabo no aparelho.
- ♦ Não deixe que o cabo elétrico fique preso ou dobrado.
- ♦ Evite que o cabo entre em contacto com as superfícies quentes do aparelho.
- ♦ Evite que o cabo elétrico entre em contacto com as superfícies quentes do aparelho.
- ♦ Verifique o estado do cabo de elétrico. Os cabos danificados ou entrelaçados aumentam o risco de choque elétrico.
- ♦ O cabo de alimentação deve ser examinado regularmente quanto a danos e, se estiver danificado, o aparelho não deve ser utilizado.
- ♦ Não utilize nem guarde o aparelho ao ar livre.
- ♦ Não exponha o aparelho à chuva ou a condições de humidade. A água que entrar no aparelho aumentará o risco de choque elétrico.
- ♦ Não toque na ficha de ligação com as mãos molhadas.
- ♦ Assegure-se de que a lâmina está bem fixa no aparelho antes de o utilizar.
- ♦ Não toque nas partes móveis do aparelho quando este estiver em funcionamento.
- ♦ Tenha cuidado após a operação de paragem do aparelho, uma vez que a ferramenta continuará a girar por efeito da sua inércia mecânica.
- ♦ A temperatura das superfícies acessíveis pode aumentar quando o aparelho está em funcionamento.

Utilização e cuidados:

- ♦ Antes de cada utilização, desenrole completamente o cabo de alimentação do aparelho.
- ♦ Não utilize o aparelho se os acessórios não estiverem devidamente montados.
- ♦ Não utilize o aparelho se os acessórios ou consumi-

veis montados apresentarem defeitos. Substitua-os imediatamente.

- ♦ Não utilize o aparelho sem carga.
- ♦ Não utilize o aparelho se o dispositivo de ligar/desligar não funcionar.
- ♦ Não mova o aparelho enquanto estiver em funcionamento.
- ♦ Não utilize o aparelho inclinado ou invertido.
- ♦ Não vire o aparelho ao contrário enquanto estiver a ser utilizado ou ligado à rede elétrica.
- ♦ Não force a capacidade de trabalho do aparelho.
- ♦ Este aparelho foi concebido exclusivamente para uso doméstico, não para uso profissional ou industrial.
- ♦ Guarde o aparelho fora do alcance das crianças e de pessoas com capacidades físicas, sensoriais ou mentais reduzidas, ou com falta de experiência e conhecimento.
- ♦ Conserve o aparelho em bom estado. Verifique se as partes móveis não estão desalinhasadas ou bloqueadas, que não existem peças danificadas ou outras condições que possam afetar o funcionamento correto do aparelho.
- ♦ Utilize este aparelho, os respetivos acessórios e ferramentas de acordo com estas instruções, tendo em conta as condições de trabalho e o trabalho a realizar. A utilização do aparelho para operações diferentes das previstas pode originar situações de perigo.
- ♦
- ♦ Para empurrar o alimento para dentro do tubo de enchimento, utilize sempre o acessório de empurrar, nunca use os dedos ou outros acessórios.
- ♦
- ♦ Nunca deixe o aparelho sem vigilância.
- ♦ Nunca deixe o aparelho ligado sem vigilância. Além disso, poupará energia e prolongará a vida do aparelho.
- ♦ Não utilize o aparelho durante mais de 30 minutos seguidos.
- ♦ Não utilize o aparelho com alimentos congelados ou ossos.
- ♦ ADVERTÊNCIA: Não utilize o aparelho se o vidro apresentar fissuras ou danos.

Serviço de Manutenção:

- ♦ Certifique-se de que o serviço de manutenção do aparelho é realizado por pessoal especializado e que, caso o aparelho necessite de consumíveis/peças de substituição, estas sejam originais.
- ♦ ADVERTÊNCIA: Existe risco de incêndio caso a limpeza do aparelho não seja realizada conforme estas instruções.
- ♦ Qualquer utilização inadequada ou em desacordo com

as instruções de utilização pode ser perigosa e anula a garantia e a responsabilidade do fabricante.

Descrição

- 1 Acessório de empurrar
- 2 Revestimento da bandeja de sumo
- 3 Filtro
- 4 Bandeja
- 5 Pega
- 6 Interruptor
- 7 Base do motor
- 8 Depósito da polpa
- 9 Depósito de sumo

Caso o seu modelo de aparelho não disponha dos acessórios descritos anteriormente, pode adquiri-los separadamente nos Serviços de Assistência Técnica.

Modo de utilização

Notas para antes da utilização:

- ♦ Assegure-se de que retirou todo o material de embalagem do produto.
- ♦ Antes de utilizar o produto pela primeira vez, limpe as partes em contacto com os alimentos tal como se descreve no capítulo de limpeza.
- ♦ Aquando da primeira utilização, o aparelho poderá libertar fumos devido ao facto de algumas partes do aparelho terem sido levemente lubrificadas. Pouco tempo depois o fumo desaparecerá.
- ♦ Prepare o aparelho consoante a função pretendida.

Utilização:

- ♦ Desenrole completamente o cabo antes de o ligar à tomada.
- ♦ Extraia o comprimento do cabo necessário do alojamento.
- ♦ Ajuste o filtro no corpo superior.
- ♦ Certifique-se que o Filtro (3) está bem colocado, pressionando-o para baixo da posição em que encontra.
- ♦ Coloque a tampa protetora na posição correta, de forma que fique imobilizada. (2).
- ♦ Ligue o aparelho à corrente elétrica.
- ♦ Coloque um copo por baixo da saída do sumo do aparelho.
- ♦ Coloque o depósito da polpa (8) na sua posição.
- ♦ Ponha o aparelho em funcionamento, acionando o selector de velocidade: I (velocidade lenta) ou II (velocidade normal)
- ♦ A velocidade 1 é recomendada sobretudo para frutas e verduras de textura mole como melancia, uvas, tomates,

pepinos...

- ♦ A velocidade 2 é ideal para todos os restantes tipos de fruta e verdura, como maçãs, cenouras...
- ♦ **ATENÇÃO:** Se as partes do aparelho não estiverem corretamente colocadas, o aparelho não entrará em funcionamento.
- ♦ Selecione a velocidade desejada.
- ♦ Seleccionar a velocidade desejada: I (velocidade lenta) ou II (velocidade normal)
- ♦ A velocidade I é recomendada sobretudo para frutas e legumes de textura mole como melancia, uvas, tomates, pepinos...
- ♦ A velocidade II é ideal para todos os restantes tipos de fruta e verdura, como maçãs, cenouras...
- ♦ Processe os alimentos.
- ♦ Insira as peças de fruta ou de legumes, devidamente cortados, na abertura correspondente da tampa protetora.
- ♦ Prima suavemente com o acessório de empurrar
- ♦ O sumo e os resíduos sairão automaticamente separados. O sumo vai para o depósito de sumo (9) e os resíduos para o depósito de polpa (8).
- ♦ Não exerça excessiva pressão com acessório de empurrar, já que poderia afetar a qualidade do resultado final ou até mesmo fazer com que o filtro pare.
- ♦ Não utilize o aparelho durante mais de 1 minuto seguido. Desligue o motor e deixe-o arrefecer durante pelo menos 1 minuto. Caso contrário poderá danificar o motor.
- ♦ Não utilize o aparelho durante mais de 30 minutos seguidos. Caso contrário poderá danificar o motor.
- ♦ Deixar o motor ligado durante alguns segundos para acabar de escorrer o sumo.
- ♦ Antes de abrir o liquidificador assegure-se de que o motor está completamente parado.
- ♦ Retirar os depósitos de sumo e de polpa (H), o acessório de empurrar (1) e a tampa protetora (2).
- ♦ Tirar primeiro o filtro(3), e depois o corpo superior (4).
- ♦ Para evitar um arranque demasiado brusco, é recomendável efectuar a colocação em funcionamento com o comando selector de potência situado na posição mínima e ir colocando-o, progressivamente e após o arranque do aparelho, na zona de potência desejada.
- ♦ Para evitar um arranque demasiado brusco, ponha o aparelho em funcionamento de forma progressiva.
- ♦ Esvazie o copo como o sumo (9), vertendo o respectivo conteúdo para um recipiente adequado.
- ♦ Nota: se utilizar uma grande quantidade de fruta, deverá limpar periodicamente o filtro e retirar os restos de polpa.

Uma vez concluída a utilização do aparelho:

- ♦ Pare o aparelho, selecionando a posição 0 do comando seletor.
- ♦ Desligue o aparelho da corrente elétrica.
- ♦ Recolha o cabo e coloque-o no seu alojamento.
- ♦ Limpe o aparelho.

Compartimento do cabo

- ♦ Este aparelho dispõe de um alojamento para o cabo de ligação à corrente, situado na parte inferior.
- ♦ Este aparelho dispõe de um alojamento para o cabo de ligação à corrente, situado na parte inferior.

Protetor térmico de segurança:

- ♦ O aparelho dispõe de um dispositivo térmico de segurança que o protege de qualquer sobreaquecimento.
- ♦ Se o aparelho se desligar sozinho e não se voltar a ligar, desligue-o da corrente e aguarde 15 minutos antes de o ligar novamente. Se continuar sem funcionar, dirija-se a um dos Serviços de Assistência Técnica autorizados.

Limpeza

- ♦ Desligue o aparelho da corrente e deixe-o arrefecer antes de iniciar qualquer operação de limpeza.
- ♦ Limpe o aparelho com um pano húmido com algumas gotas de detergente e seque-o de seguida.
- ♦ Não utilize solventes, produtos com um fator pH ácido ou básico como a lixívia, nem produtos abrasivos para a limpeza do aparelho.
- ♦ Não deixe entrar água ou outro líquido pelas aberturas de ventilação para evitar danos nas partes operativas interiores do aparelho.
- ♦ Retire os filtros. Lave-os e, água quente com detergente ou na máquina de lavar loiça. Volte a colocá-los na posição correta.
- ♦ Nunca mergulhe o aparelho dentro de água ou em qualquer outro líquido, nem o coloque debaixo da torneira.
- ♦ Durante o processo de limpeza deve ter especial cuidado com as lâminas pois estão muito afiadas.
- ♦ Recomenda-se limpar o aparelho regularmente e retirar todos os restos de alimentos.
- ♦ Se o aparelho não for mantido limpo, a sua superfície pode degradar-se e afetar de forma irreversível a duração da vida do aparelho e conduzir a uma situação de perigo.
- ♦ As seguintes peças podem ser lavadas em água quente com sabão ou na máquina de lavar louça (com um

programa suave de lavagem):

- Acessório para empurrar
- Tampa protetora
- Filtro amovível.
- Suporte dos filtros.
- Recipiente da polpa.
- Copo do sumo.

- ♦ A posição de escorrimento/secagem das peças laváveis na máquina de lavar louça ou no lava-louças deve permitir o escorrimento da água com facilidade.
- ♦ Em seguida, seque bem todas as peças antes de as montar e guardar.

Anomalias e reparação

- ♦ Em caso de avaria leve o aparelho a um Serviço de Assistência Técnica autorizado. Não tente desmontar ou reparar o aparelho, já que tal poderá acarretar perigos.

Para as versões EU do produto e/ou caso aplicável no seu país:

Ecologia e reciclagem e do produto

- ♦ Os materiais que constituem a embalagem deste aparelho estão integrados num sistema de recolha, classificação e reciclagem. Se desejar eliminá-los, utilize os contentores de reciclagem colocados à disposição para cada tipo de material.
- ♦ O produto está isento de concentrações de substâncias que possam ser consideradas nocivas para o ambiente.



Este símbolo significa que se desejar desfazer-se do produto depois de terminada a sua vida útil, deve entregá-lo através dos meios adequados ao cuidado de um gestor de resíduos autorizado para a recolha seletiva de Resíduos de Equipamentos Elétricos e Eletrónicos (REEE).



Este símbolo indica que a superfície pode aquecer durante a utilização.

Este aparelho cumpre a Diretiva 2014/35/CE de Baixa Tensão, a Diretiva 2014/30/UE de Compatibilidade Eletromagnética a Diretiva 2011/65/UE sobre restrições à utilização de determinadas substâncias perigosas em aparelhos elétricos e eletrónicos e a Diretiva 2009/125/CE sobre os requisitos de design ecológico aplicável aos produtos relacionados com a energia.

GARANTIA E ASSISTÊNCIA TÉCNICA

Este produto goza do reconhecimento e proteção da garantia legal em conformidade com a legislação em vigor. Para fazer valer os seus direitos ou interesses, deve recorrer sempre aos nossos serviços oficiais de assistência técnica.

Poderá encontrar o mais próximo de si através do seguinte website: <http://www.2helpu.com/>

Também pode solicitar informações relacionadas, pondo-se em contacto connosco (consulte a última página do manual).

Pode fazer o download deste manual de instruções e suas atualizações em <http://www.2helpu.com/>



Sapcentrifuge BXJE600E

Geachte klant:

We danken u voor de aankoop van een product van het merk Black & Decker.

De technologie, het ontwerp en de functionaliteit van dit product, dat voldoet aan de meest strikte kwaliteitseisen, staan garant voor langdurige tevredenheid.

Veiligheidsadviezen en waarschuwingen

- ◆ Neem deze gebruiksaanwijzing aandachtig door voordat u het apparaat in gebruik neemt en bewaar haar voor toekomstig gebruik. Het niet opvolgen en naleven van deze instructies kan een ongeluk tot gevolg hebben.
 - ◆ Voor het eerste gebruik dient u alle delen van het apparaat die met voedingsmiddelen in aanraking kunnen komen, schoon te maken, zoals aangegeven in het hoofdstuk schoonmaken.
 - ◆ Het apparaat mag niet door kinderen gebruikt worden. Houd het apparaat en zijn aansluiting op het lichtnet buiten het bereik van kinderen.
 - ◆ Dit apparaat mag gebruikt worden door personen met verminderde, fysieke, zintuiglijke of mentale capaciteiten, of personen met weinig ervaring als ze onder toezicht staan of genoeg richtlijnen gekregen hebben om het apparaat veilig te kunnen hanteren en de risico's kennen.
 - ◆ Dit apparaat is geen speelgoed.
- Houd toezicht op kinderen om er zeker van te zijn dat ze niet met het apparaat spelen.
- ◆ De messen zijn scherp en kunnen letsel veroorzaken. Wees voorzichtig en voorkom direct contact met de scherpe kant van de messen.
 - ◆ Wees extra voorzichtig tijdens het monteren en demonteren van de messen aangezien deze geslepen zijn en er risico bestaat dat u zich snijdt.
 - ◆ Haal de stekker van het toestel uit het stopcontact wanneer u het niet gebruikt en alvorens accessoires of bewegende delen te vervangen, demonteren of reinigen.
 - ◆ Gebruik het apparaat niet wanneer de roterende zeef beschadigd is of wanneer het beschermdeksel beschadigd of gescheurd is.
 - ◆ Als het netsnoer beschadigd is, moet het worden vervangen. Breng het apparaat naar een erkende technische service. Probeer het apparaat niet zelf te repareren om mogelijke brand of kortsluiting te voorkomen.
- ◆ Controleer dat de spanningsgegevens op het typeplaatje overeenkomen met die van het stroomnet alvorens het apparaat erop aan te sluiten.
 - ◆ Sluit het apparaat aan op een stopcontact van minimaal 10 Ampère.
 - ◆ De stekker van het apparaat moet geschikt zijn voor het stopcontact. Wijzig de stekker niet. Gebruik geen adapters.
 - ◆ Zorg dat het werkblad schoon en goed verlicht is. Wanordelijke en donkere zones werken ongelukken in de hand.

- ♦ Plaats het apparaat niet op hete oppervlakken zoals kookplaten, gasbranders, ovens of dergelijke.
- ♦ Plaats het apparaat voor gebruik op een vlak en stabiel oppervlak.
- ♦ Het apparaat niet gebruiken wanneer het snoer of de stekker beschadigd is.
- ♦ Als één van de delen van de behuizing van het apparaat kapot gaat, het apparaat onmiddellijk uitschakelen om elektrische schokken te vermijden.
- ♦ Gebruik het apparaat niet als het is gevallen, wanneer er zichtbare tekenen van schade zijn of wanneer het lekt.
- ♦ Het stroomsnoer niet forceren. Het snoer nooit gebruiken om het apparaat op te tillen, te transporteren of om de stekker uit het stopcontact te trekken.
- ♦ Het snoer niet oprollen rond het apparaat.
- ♦ Zorg ervoor dat het stroomsnoer niet bekneeld of geknikt wordt.
- ♦ Zorg ervoor dat het stroomsnoer niet in contact komt met de hete oppervlakken van het apparaat.
- ♦ Zorg ervoor dat het stroomsnoer niet van de tafel afhangt of in contact komt met de hete oppervlakken van het apparaat.
- ♦ Controleer de staat van de elektriciteitskabel. Kapotte kabels of kabels die in de war zijn vergroten het risico van elektrische schokken.
- ♦ Controleer regelmatig dat het snoer niet beschadigd is. Gebruik het apparaat niet als het snoer beschadigd is.
- ♦ Bewaar of gebruik het toestel niet buitenshuis.
- ♦ Stel het apparaat niet aan regen of vochtigheid bloot. Water dat in het apparaat komt vergroot het risico van een elektrische schok.
- ♦ Raak de stekker niet met natte handen aan.
- ♦ Controleer voor het gebruik van het apparaat dat het mes of de messen van het apparaat goed bevestigd is/ zijn.
- ♦ De bewegende onderdelen van het apparaat niet aanraken wanneer het werkt.
- ♦ Wees voorzichtig wanneer u het apparaat uitschakelt. Door mechanische inertie blijft het mes nog even draaien.
- ♦ De temperatuur van de toegankelijke oppervlakken kan hoog zijn als het apparaat in werking is.
- soires beschadigd zijn. Vervang ze onmiddellijk.
- ♦ Het apparaat niet leeg gebruiken, ofwel zonder lading.
- ♦ Gebruik het apparaat niet als de aan-/uitknop niet werkt.
- ♦ Het apparaat niet verplaatsen terwijl het werkt.
- ♦ Gebruik het apparaat niet wanneer het scheef staat en houd het niet ondersteboven.
- ♦ Keer het apparaat niet om terwijl het in gebruik is of aangesloten is op het lichtnet.
- ♦ Overschrijd de maximale capaciteit van het apparaat niet.
- ♦ Dit apparaat is alleen bedoeld voor huishoudelijk gebruik, niet voor professioneel of industrieel gebruik.
- ♦ Houd dit apparaat buiten bereik van kinderen en/of personen met lichamelijke, zintuiglijke of geestelijke beperkingen, of met een gebrek aan ervaring en kennis.
- ♦ Houd het apparaat in goede staat. Controleer dat de bewegende delen niet scheef of klem zitten, dat er geen onderdelen kapot zijn of andere problemen zijn die de correcte werking van het apparaat negatief kunnen beïnvloeden.
- ♦ Volg deze aanwijzingen altijd nauwgezet op bij gebruik van het apparaat en zijn onderdelen en instrumenten. Houd altijd rekening met de arbeidsomstandigheden en de uit te voeren werkzaamheden. Als u het apparaat voor andere dan de voorziene doeleinden gebruikt, kan dat gevaarlijk zijn.
- ♦ Gebruik uitsluitend de stamper om voedingsmiddelen in de vultrechter te voeren; gebruik nooit uw vingers of andere accessoires.
- ♦ Laat het apparaat nooit onbewaakt tijdens gebruik.
- ♦ Laat het apparaat nooit zonder toezicht aan staan. U bespaart hierdoor energie en verlengt tevens de levensduur van het apparaat.
- ♦ Gebruik het apparaat nooit langer dan 30 minuten
- ♦ Gebruik het apparaat niet voor bevroren ingrediënten of beenderen.
- ♦ **WAARSCHUWING** Gebruik het apparaat niet als het glas gebarsten of kapot is.

Reparaties:

Gebruik en onderhoud:

- ♦ Rol voor gebruik het netsnoer van het apparaat volledig af.
- ♦ Gebruik het apparaat niet wanneer de accessoires niet correct aangekoppeld zijn.
- ♦ Gebruik het apparaat niet als de aangekoppelde acces-
- ♦ Verzeker u ervan dat het onderhoud van het apparaat door een deskundige wordt uitgevoerd en dat de eventuele te vervangen onderdelen origineel zijn.
- ♦ **WAARSCHUWING** Er bestaat brandgevaar als het apparaat niet volgens deze instructies wordt gereinigd.
- ♦ Onjuist gebruik of een gebruik dat niet overeenstemt met de gebruiksaanwijzing kan gevaar inhouden en doet de garantie en de aansprakelijkheid van de fabrikant teniet.

Beschrijving

- 1 Stamper
- 2 Kap van de sapkan
- 3 Filter
- 4 Plaat
- 5 Hengsel
- 6 Schakelaar
- 7 Motorblok
- 8 Droesembak
- 9 Sapkan

Mocht het model van uw apparaat niet beschikken over de hiervoor beschreven hulpstukken dan kunt u deze ook apart verkrijgen bij de Technische Hulpdienst.

Gebruiksaanwijzing

Opmerkingen voorafgaand aan het gebruik:

- ♦ Controleer dat al het verpakkingsmateriaal van het product verwijderd is.
- ♦ Reinig voor het eerste gebruik alle delen van het apparaat die met voedingsmiddelen in aanraking kunnen komen, zoals aangegeven in het onderdeel Schoonmaken.
- ♦ Enkele delen van het apparaat zijn gesmeerd waardoor het bij het eerste gebruik enigszins kan roken. Na korte tijd stopt dit vanzelf.
- ♦ Breng het apparaat in gereedheid in overeenstemming met de gewenste functie:

Gebruik:

- ♦ Het snoer helemaal afrollen alvorens de stekker in het stopcontact te steken.
- ♦ De gewenste kabellengte uit het snoervak trekken.
- ♦ Plaats het filter in het bovendeel van het apparaat.
- ♦ Controleer dat het Filter (3) juist geplaatst is door het omlaag te drukken totdat het goed zit
- ♦ Plaats het beschermende deksel in de juiste positie, zodat het goed vastzit. (2).
- ♦ Steek de stekker in het stopcontact.
- ♦ Plaats een glas onder de sapuitloop van het apparaat.
- ♦ Zet de droesembak (8) op zijn plaats.
- ♦ Zet het apparaat aan met de snelheidsknop: I (Langzaam) of II (Normaal)
- ♦ Snelheid 1 wordt vooral aanbevolen voor zacht fruit en groente, zoals watermeloenen, druiven, tomaten, komkommers, enz.
- ♦ Snelheid 2 is ideaal voor ander fruit en groente, zoals appels, wortels, enz.
- ♦ **WAARSCHUWING:** Wanneer onderdelen van het apparaat niet correct geplaatst zijn, zal het apparaat niet

aangaan.

- ♦ Selecteer de gewenste snelheid.
- ♦ Selecteer de gewenste snelheid: I (Langzaam) of II (Normaal)
- ♦ Snelheid I wordt vooral aanbevolen voor zacht fruit en groente, zoals watermeloenen, druiven, tomaten, komkommers, enz.
- ♦ Snelheid II is ideaal voor ander fruit en groente, zoals appels, wortels, enz.
- ♦ Gebruik de voedingsmiddelen die U wilt verwerken.
- ♦ Voer de groente of het fruit voorgesneden in de daarvoor bestemde opening van het beschermdeksel.
- ♦ Druk er zacht op met de stamper.
- ♦ Het sap en de pulp worden automatisch gescheiden: Het sap gaat naar de sapkan (9) en de pulp naar de droesembak (8).
- ♦ Druk niet te hard op de stamper, aangezien dat een nadelig effect kan hebben op het resultaat en er zelfs toe kan leiden dat het filter stopt.
- ♦ Laat de motor niet langer dan 1 minuut achtereen werken. Zet het apparaat vervolgens uit en laat de motor tenminste 1 minuut afkoelen. Anders kan de motor beschadigd worden.
- ♦ Gebruik het apparaat nooit langer dan 30 minuten. Anders kan de motor beschadigd worden.
- ♦ Laat de motor nog enkele seconden lopen om het laatste restje sap uit te laten lopen.
- ♦ Alvorens de sapcentrifuge te openen, dient U er zeker van te zijn dat de motor gestopt is
- ♦ Verwijder de kannen voor het sap en het vruchtvlees (H), de stamper (1) en het beschermdeksel(2).
- ♦ Trek eerst aan het filter (3), en vervolgens aan het bovenlichaam (4).
- ♦ Om te voorkomen dat het apparaat te bruusk start, raden we u aan om de vermogensknop op het minimum te zetten alvorens het apparaat aan te zetten. Daarna kunt u de knop geleidelijk op het gewenste vermogen zetten.
- ♦ Om te voorkomen dat de machine te bruusk start, voer de snelheid geleidelijk op.
- ♦ Leeg de sapopvangbak (9) en giet het sap in een geschikte kan.
- ♦ Opmerking: Als U een grote hoeveelheid fruit verwerkt, moet U tijdens gebruik af en toe het filter schoonmaken en de pulpopvangbak leeggooien.

Na gebruik van het apparaat:

- ♦ Zet het apparaat uit door de keuzeknop op 0 te zetten.
- ♦ Trek de stekker uit het stopcontact.
- ♦ Rol de kabel op en berg deze op in het hiervoor bedoel-

de snoervak.

- ♦ Reinig het apparaat.

Snoervak

- ♦ Dit apparaat is voorzien van een opbergvak voor het snoer aan de achterkant.
- ♦ Dit apparaat beschikt aan de onderkant over een snoervak voor het verbindings snoer.

Thermische beveiliging:

- ♦ Dit apparaat beschikt over een thermische beveiliging die het apparaat tegen oververhitting beveiligd.
- ♦ Wanneer het apparaat spontaan uitschakelt en niet opnieuw inschakelt, trek de stekker uit het stopcontact en wacht 15 minuten alvorens de stekker opnieuw in het stopcontact te steken. Indien het apparaat dan nog steeds niet werkt, neem contact op met een erkende technische dienst.

Reiniging

- ♦ Trek de stekker uit het stopcontact en laat het apparaat afkoelen alvorens het te reinigen.
- ♦ Maak het apparaat schoon met een vochtige doek met een paar druppels afwasmiddel en droog het daarna goed af.
- ♦ Gebruik geen oplosmiddelen of producten met een zure of basische pH zoals bleekwater, noch schuurmiddelen, om het apparaat schoon te maken.
- ♦ Zorg ervoor dat er geen water of andere vloeistof binnendringt via de ventilatie-openingen, om schade aan de functionele delen in het inwendige van het apparaat te voorkomen.
- ♦ Verwijder de filters. Was ze in een warm sopje of in de vaatwasmachine. Plaats ze vervolgens terug in de juiste positie.
- ♦ Dompel het apparaat niet onder in water of een andere vloeistof en houd het niet onder de kraan.
- ♦ Wees extra voorzichtig met de messen tijdens het schoonmaken, want deze zijn zeer scherp.
- ♦ Het is raadzaam om het apparaat geregeld schoon te maken en om alle voedselresten te verwijderen.
- ♦ Indien het apparaat niet goed schoongehouden wordt, kan het oppervlak beschadigd en de levensduur van het apparaat verkort worden, en kan er een gevaarlijke situatie ontstaan.
- ♦ De volgende onderdelen mogen met warm zeepsop schoongemaakt worden of in de vaatwasser geplaatst worden (op een zacht wasprogramma):

- Vulstuk
- Beschermingsdeksel
- Uitneembaar filter
- Filterhouder
- Vruchtvliesbak
- Sapkan

- ♦ Plaats de schoongemaakte delen zodanig in de vaatwasser of het afdruiptrek dat het water makkelijk kan weglopen.
- ♦ Laat alle onderdelen goed drogen alvorens het apparaat opnieuw te monteren en op te bergen.

Storingen en reparatie

- ♦ Breng het apparaat bij storing naar een erkende Technische Dienst. Probeer het apparaat niet zelf te demonteren of te repareren, want dit kan gevaarlijk zijn.

Voor EU-versies van het product en/of indien van toepassing in uw land:

Ecologie en hergebruik van het product

- ♦ Het verpakkingsmateriaal van dit apparaat is geschikt voor inzameling, classificatie en hergebruik. U kunt dit materiaal wegwerpen in de openbare afvalcontainers die voor de desbetreffende typen materiaal zijn bestemd.
- ♦ Het product bevat geen materialen die schadelijk zijn voor het milieu.



Dit symbool betekent dat u het product aan het eind van zijn levenscyclus moet afgeven aan een erkende afvalverwerker ten behoeve van de gescheiden verwerking van Afgedankte



Elektrische en Elektronische Apparatuur (AEEA).



Dit symbool geeft aan dat het oppervlak heet kan worden tijdens gebruik.

Dit apparaat voldoet aan de laagspanningsrichtlijn 2014/35/EG, met de richtlijn 2014/30/EG met betrekking tot elektromagnetische compatibiliteit en met de richtlijn 2011/65/EG met betrekking tot beperkingen in de toepassing van bepaalde gevaarlijke stoffen in elektrische en elektronische apparaten en met de richtlijn 2009/125/EG met betrekking tot de eisen inzake ecologisch ontwerp voor energieregerelateerde producten.

GARANTIE EN TECHNISCHE ONDERSTEUNING

Dit product valt onder de legale garantievoorzwaarden zoals bepaald in de actuele wetgeving. Om een beroep te doen op uw rechten of aanspraken kunt u contact opnemen met onze officiële technische service.

U kunt de dichtstbijzijnde technische service vinden op de website: <http://www.2helpu.com/>

Voor verdere informatie kunt u ook contact met ons opnemen (zie de laatste bladzijde van de gebruiksaanwijzing).

U kunt deze gebruiksaanwijzing en eventuele actualiseringen ervan downloaden via <http://www.2helpu.com/>

Wyciskarka do soków Sokowirówka BXJE600E

Szanowny Kliencie,

Serdecznie dziękujemy za zdecydowanie się na zakup sprzętu gospodarstwa domowego marki Black+Decker.

Jej technologia, forma i funkcjonalność, jak również fakt, że spełnia ona wszelkie normy jakości, dostarczy Państwu pełnej satysfakcji przez długi czas.

Porady i ostrzeżenia dotyczące bezpieczeństwa

- ◆ Przeczytać uważnie instrukcję przed uruchomieniem urządzenia i zachować ją w celu późniejszych konsultacji. Niedostosowanie się i nieprzestrzeganie niniejszych instrukcji może doprowadzić do wypadku.
- ◆ Przed pierwszym użyciem należy umyć wszystkie części urządzenia, które mogą mieć kontakt z pokarmami, postępując zgodnie z instrukcją.
- ◆ Dzieci nie powinny używać tego urządzenia. Konserwacja urządzenia i podłączanie go do sieci nie mogą być wykonywane przy dzieciach.
- ◆ Urządzenie może być używane przez osoby niezapoznane z tego typu produktem, osoby niepełnosprawne, tylko i wyłącznie pod kontrolą dorosłych zapoznanym z tego typu sprzętem.
- ◆ To urządzenie nie jest zabawką. Dzieci powinny pozostać pod czujną opieką w celu zagwarantowania iż nie bawią się urządzeniem.
- ◆ Noże są ostre i mogą zranić użytkownika. Należy obchodzić się z nimi bardzo ostrożnie i unikać bezpośredniego kontaktu.
- ◆ Należy zwrócić szczególną uwagę na bezpieczeństwo podczas czyszczenia, rozkładania, montażu noży lub dzbanka.
- ◆ Wyłączać urządzenie z prądu, jeśli nie jest ono używane i przed przystąpieniem do jakiegokolwiek czyszczenia
- ◆ Nie używać urządzenia jeśli sitko obrotowe jest uszkodzone lub pokrywa zabezpieczająca jest uszkodzona lub posiada szczeliny.
- ◆ W razie awarii zanieść produkt do autoryzowanego Serwisu Technicznego. Nie próbować rozbierać urządzenia ani go naprawiać, ponieważ może to być niebezpieczne.
- ◆ Przed podłączeniem urządzenia do sieci, sprawdzić czy napięcie wskazane na tabliczce znamionowej odpowiada napięciu sieci.
- ◆ Podłączać urządzenie do sieci elektrycznej o sile co najmniej 10 amperów.
- ◆ Wtyczka urządzenia powinna być zgodna z podstawą elektryczną gniazdka. Nigdy nie modyfikować wtyczki. Nie używać przejściówek dla wtyczki.
- ◆ Używać urządzenie tylko w miejscach czystych i dobrze oświetlonych. W przeciwnym razie istnieje ryzyko wypadków.
- ◆ Nie kłaść urządzenia na gorących powierzchniach takich jak płyty grzejne, palniki gazowe piekarniki i podobne urządzenia.
- ◆ Urządzenie powinno być ustawiane i używane na powierzchni płaskiej i stabilnej.
- ◆ Nie używać urządzenia, gdy kabel elektryczny lub wtyczka jest uszkodzona.
- ◆ Jeśli popęka jakiś element obudowy urządzenia,

natychmiast wyłączyć urządzenie z prądu, aby uniknąć porażenia prądem.

- ♦ Nie używać urządzenia, jeśli ono upadło czy kiedy występują widoczne oznaki uszkodzenia, albo jeśli istnieją wycieki.
- ♦ Nie napinać elektrycznego kabla połączeń. Nie używać nigdy kabla elektrycznego do podnoszenia, przenoszenia ani wyłączania urządzenia.
- ♦ Nie związać kabla elektrycznego podłączenia wokół urządzenia.
- ♦ Nie pozostawiać, by kabel elektryczny podłączenia został schwytyany lub pomarszczony.
- ♦ Kabel podłączeniowy nie może być w kontakcie z gorącymi powierzchniami urządzenia.
- ♦ Kabel podłączeniowy nie może być w kontakcie z gorącymi powierzchniami urządzenia.
- ♦ Sprawdzić stan elektrycznego kabla połączeń. Uszkodzone czy zaplątane kable zwiększają ryzyko porażenia prądem.
- ♦ Nie używać urządzenia, jeśli upadło lub jeśli występują widoczne oznaki uszkodzenia lub wycieki.
- ♦ Nie używać, ani nie przechowywać urządzenia na zewnątrz.
- ♦ Nie wystawiać urządzenia na deszcz ani narażać na warunki wilgotności. Woda, która dostanie się do urządzenia zwiększy ryzyko porażenia prądem.
- ♦ Nie dotykać wtyczki mokrymi rękoma.
- ♦ Przed użyciem urządzenia zapewnić się, czy żyłtka/i są dobrze zamocowane w urządzeniu.
- ♦ Nie dotykać ruchomych części urządzenia, kiedy jest ono w trakcie działania.
- ♦ Należy zachować ostrożność po wyłączeniu urządzenia, gdyż na podstawie inercji mechanicznej noże będą się dalej obracały.
- ♦ Temperatura dostępnych powierzchni może ulec podniesieniu, kiedy urządzenie jest podłączone do sieci.

Używanie i konserwacja:

- ♦ Przed każdym użyciem, rozwinąć całkowicie kabel zasilania urządzenia.
- ♦ Nie używać urządzenia jeśli jego akcesoria lub filtry nie są odpowiednio dopasowane.
- ♦ Nie stosować urządzenia, jeśli zamocowane do niego akcesoria posiadają wady. Należy je wówczas natychmiast wymienić.
- ♦ Nie używać urządzenia, kiedy jest ono puste, to znaczy kiedy nic w nim nie ma.
- ♦ Nie używać urządzenia, jeśli nie działa przycisk włączania ON/OFF.

- ♦ Nie ruszać urządzenia w czasie jego działania.
- ♦ Nie należy używać urządzenia, gdy jest przechylone ani do góry dnem.
- ♦ Nie obracać urządzenia, kiedy jest ono w użyciu lub kiedy jest podłączone do sieci.
- ♦ Nie przeciążać urządzenia ponad dopuszczalne normy wydajności pracy.
- ♦ Urządzenie to zaprojektowane zostało wyłącznie do użytku domowego, a nie do użytku profesjonalnego czy przemysłowego.
- ♦ Przechowywać urządzenie w miejsce niedostępnym dla dzieci i/lub osób o ograniczonych zdolnościach fizycznych, dotykowych lub mentalnych oraz nie posiadających doświadczenia lub znajomości tego typu urządzeń.
- ♦ Utrzymywać urządzenie w dobrym stanie. Sprawdzać, czy ruchome części nie są poprzestawiane względem siebie czy zakleszczone, czy nie ma zepsutych części czy innych warunków, które mogą wpłynąć na właściwe działanie urządzenia.
- ♦ Urządzenie i jego akcesoria należy używać zgodnie z powyższą instrukcją obsługi, używanie go do innych celów niż opisane może powodować niebezpieczeństwo. Nie należy używać go do innych celów niż przeznaczony, gdyż może to spowodować zagrożenie dla zdrowia.
- ♦ W celu opróżnienia przewodu z produktów żywnościowych, należy zawsze używać akcesoriów zalecanych przez producenta, nigdy próbować wyjąć je palcami lub innymi przyrządami
- ♦ Nie pozostawiać włączonego urządzenia bez nadzoru.
- ♦ Nie pozostawiać nigdy urządzenia podłączonego i bez nadzoru. W ten sposób zaoszczędzić ponadto można energię i przedłużyć okres użytkowania urządzenia.
- ♦ Nie należy używać przez więcej niż 30 minut.
- ♦ Nie wolno używać urządzenia do mielenia produktów zamrożonych lub kości.
- ♦ **OSTRZEŻENIE** Nie należy używać urządzenia, jeśli szkło drzwi jest pęknięte lub zniszczone.

Serwis techniczny:

- ♦ Należy upewnić się, że serwis urządzenia jest przeprowadzony przez wykwalifikowany personel, i że części zamienne są oryginalne.
- ♦ **OSTRZEŻENIE** Istnieje możliwość zagrożenia pożarem, jeśli urządzenie nie będzie używane zgodnie z instrukcją obsługi.
- ♦ Wszelkie niewłaściwe użycie lub niezgodne z instrukcją obsługi może doprowadzić do niebezpieczeństwa, anulując przy tym gwarancję i odpowiedzialność producenta.

Opis

- 1 Popychacz
- 2 Pokrywa tacy na sok
- 3 Filtr
- 4 Misa zasypowa
- 5 Uchwyt
- 6 Wylłącznik
- 7 Podstawa silnika
- 8 Pojemnik na miąższ
- 9 Zbiornik na sok

W przypadku, jeśli model Państwa urządzenia nie posiada opisanych powyżej akcesoriów, te można również nabyć osobno w Serwisie Technicznym.

Sposób użycia**Uwagi przed użyciem:**

- ♦ Upewnić się, że z opakowania zostały wyjęte wszystkie elementy urządzenia.
- ♦ Przed pierwszym użyciem należy umyć wszystkie części urządzenia, które mogą mieć kontakt z pokarmami, postępując zgodnie z instrukcją.
- ♦ Niektóre części żelazka zostały delikatnie natłuszczone i dlatego w czasie pierwszego włączenia może wydobywać się z niego para. Po krótkim czasie para powinna zniknąć.
- ♦ Przygotowanie urządzenia do pracy w zależności od czynności, którą będzie wykonywać:

Sposób użycia:

- ♦ Całkowicie rozwinąć kabel przed podłączeniem urządzenia.
- ♦ Wyciągnąć kabel na taką długość, jaka będzie potrzebna.
- ♦ Dopasować filtr w górnym korpusie.
- ♦ Upewnić się, że filtr (3) jest dobrze zamocowany, dociskając go w dół w jego położeniu.
- ♦ Założyć poprawnie pokrywę zabezpieczającą, tak aby była unieruchomiona. (2).
- ♦ Podłączyć urządzenie do prądu.
- ♦ Ustawić szklankę pod wyjściem soku z urządzenia.
- ♦ Umieścić pojemnik na miąższ (8) w pozycji.
- ♦ Włączyć urządzenie uruchamiając selektor prędkości. I (powlolna prędkość) lub II (normalna prędkość).
- ♦ Prędkość 1 zalecana jest głównie w przypadku owoców i warzyw o miękkiej budowie takich jak arbuzy, winogrona, pomidory, ogórki...
- ♦ Prędkość 2 idealna jest w przypadku pozostałych owoców i warzyw, takich jak jabłka, marchew...
- ♦ UWAGA: Jeśli części urządzenia nie są właściwie założone, urządzenie nie włączy się.

- ♦ Wybrać odpowiednią moc.
- ♦ Wybrać odpowiednią moc: I (powlolna prędkość) lub II (normalna prędkość).
- ♦ Prędkość I zalecana jest głównie w przypadku owoców i warzyw o miękkiej budowie takich jak arbuzy, winogrona, pomidory, ogórki...
- ♦ Prędkość II idealna jest w przypadku pozostałych owoców i warzyw, takich jak jabłka, marchew...
- ♦ Pracować z wykorzystaniem produktów żywnościowych, jakie chce się przetworzyć.
- ♦ Wprowadzić owoc lub warzywo, odpowiednio pokrojone, w otwór znajdujący się w pokrywie zabezpieczającej.
- ♦ Naciskać delikatnie popychaczem
- ♦ Sok i resztki wyjdą automatycznie rozdzielone. Sok bezpośrednio do pojemnika (9) a resztki do pojemnika na miąższ (8).
- ♦ Nie stosować nadmiernego ciśnienia w części tłoczącej ponieważ mogłoby to wpłynąć na jakość końcowego rezultatu lub nawet spowodować zatrzymanie się filtra.
- ♦ Nie uruchamiać silnika na dłużej niż 1 minuta, pracy ciągłej. Wylłącznik i pozostawić, aby silnik się ochłodził, przynajmniej na 1 minutę. W przeciwnym razie silnik może ulec uszkodzeniu.
- ♦ Nie należy używać przez więcej niż 30 minuta. W przeciwnym razie silnik może ulec uszkodzeniu.
- ♦ Pozostawić silnik, by pracował przez kilka sekund, aby sok spłynął całkowicie.
- ♦ Przed otwarciem blendera upewnić się, że silnik jest całkowicie wylłączony.
- ♦ Usunąć sok z pojemnika (H) i miąższ ściskacz (1) oraz pokrywę zabezpieczającą (2).
- ♦ Najpierw pociągnąć za filtr (3), a następnie za korpus silnika (4).
- ♦ Zaleca się włączyć urządzenie po wybraniu minimalnej prędkości i po jego uruchomieniu zwiększyć moc.
- ♦ Aby uniknąć zbyt gwałtownego rozruchu, gdyż rozruch urządzenia odbywa się progresywnie.
- ♦ Opróżnić dzban z sokiem przelewając jego zawartość do naczyń stołowych (9), które mają być użyte.
- ♦ Uwaga: Jeśli przetwarzana jest duża ilość owoców, okresowo należy przystępować do czyszczenia filtra i wyciągać pozostałości miąższu.

Po zakończeniu korzystania z urządzenia:

- ♦ Wylłączyć urządzenie, przekręcając pokrętko wyboru mocy na zero.
- ♦ Wylłączyć z sieci elektrycznej.
- ♦ Zwinać kabel i umieścić do w przegrodzie.
- ♦ Wyczyścić urządzenie.

Osadzenie kabla

- ◆ Urządzenie posiada specjalne miejsce do zwijania kabla sieciowego w dolnej części.
- ◆ Urządzenie posiada specjalne miejsce do zwijania kabla sieciowego w dolnej części.

Ochrona przed przegrzaniem:

- ◆ Urządzenie posiada termiczny system bezpieczeństwa, który chroni je przed przegrzaniem.
- ◆ Jeśli urządzenie się samo wyłącza i nie włącza się ponownie, należy wyłączyć je z prądu, odczekać około 15 minut przed ponownym włączeniem go. Jeśli nadal nie działa, skontaktować się z jednym z autoryzowanych serwisów technicznych.

Czyszczenie

- ◆ Odłączyć urządzenie z sieci i pozostawić aż do ochłodzenia przed przystąpieniem do jakiegokolwiek czyszczenia.
- ◆ Czyścić urządzenie wilgotną szmatką zmoczoną kilkoma kroplami płynu i następnie osuszyć.
- ◆ Nie używać do czyszczenia urządzenia rozpuszczalników, produktów z czynnikiem PH takich jak chlor, ani środków żrących.
- ◆ Nie dopuścić do przedostania się wody ni innej cieczy do otworów wentylacyjnych, aby uniknąć uszkodzeń części mechanicznych znajdujących się we wnętrzu urządzenia.
- ◆ Wyjąć filtry. Umyć je w ciepłej wodzie z detergentem lub w zmywarce. Umieścić je z powrotem we właściwej pozycji.
- ◆ Nie zanurzać urządzenia w wodzie ni innej cieczy, nie wkładać pod kran.
- ◆ W trakcie czyszczenia, należy szczególnie uważać na noże, ponieważ są one bardzo ostre.
- ◆ Zaleca się regularne czyszczenie urządzenia i usuwanie z niego pozostałości produktów żywnościowych.
- ◆ Jeśli urządzenie nie jest utrzymywane w odpowiednio dobrym stanie czystości, jego powierzchnia może się niszczyć i wpływać w sposób niedający się powstrzymać na okres trwałości urządzenia oraz prowadzić do niebezpiecznych sytuacji.
- ◆ Poniższe części można myć w ciepłej wodzie z mydłem lub w zmywarce (ustawiając najniższy program):
 - Popychacz.
 - Pokrywa ochronna.
 - Wymowlalny filtr.
 - Pojemnik na filtr.
 - Pojemnik na miąższ.

- Dzbanek na sok.

- ◆ Po myciu ręcznym lub w zmywarce, należy umieścić części w taki sposób, aby woda spłynęła z nich bez przeszkód.
- ◆ Wysuszyć wszystkie elementy przed ponownym montażem.

Nieprawidłowości i naprawa

- ◆ W razie awarii zanieść urządzenie do autoryzowanego Serwisu Technicznego. Nie próbować rozbierać urządzenia ani go naprawiać, ponieważ może to być niebezpieczne.

Dla urządzeń wyprodukowanych w Unii Europejskiej i w przypadku wymagań prawnych obowiązujących w danym kraju:

Ekologia i zarządzanie odpadami

- ◆ Materiały, z których wykonane jest opakowanie tego urządzenia, znajdują się w ramach systemu zbierania, klasyfikacji oraz ich odzysku. Jeżeli chcecie Państwo się ich pozbyć, należy umieścić je w kontenerze przeznaczonym do tego typu materiałów.
- ◆ Produkt nie zawiera koncentracji substancji, które mogłyby być uznane za szkodliwe dla środowiska.



Symbol ten oznacza, że jeśli chcecie się Państwo pozbyć tego produktu po zakończeniu okresu jego użytkowania, należy go przekazać przy zastosowaniu określonych środków do autoryzowanego podmiotu zarządzającego odpadami w celu przeprowadzenia selektywnej zbiórki Odpadów Urządzeń Elektrycznych i Elektronicznych (WEEE).



Ten symbol oznacza, że powierzchnie zewnętrzne urządzenia nagrzewają się podczas pracy urządzenia.

Urządzenie spełniające wymogi Ustawy 2014/35/EC o Niskim Napięciu, Ustawy 2014/30/EC o Zgodności Elektromagnetycznej, Ustawy 2011/65/EC o gospodarce odpadami elektrycznymi i elektronicznymi i ustawy 2009/125/EC o urządzeniach konsumujących energię.

GWARANCJA I SERWIS TECHNICZNY

Ten produkt jest uznawany i chroniony prawną gwarancją zgodnie z obowiązującymi przepisami. W celu wyegzekwowania swoich praw lub interesów, należy udać się do dowolnego z naszych oficjalnych usług pomocy technicznej.

Najbliższy punkt można znaleźć, korzystając z poniższego linku: <http://www.2helpu.com/>

Można również poprosić o informacje, kontaktując się z nami (patrz ostatnia strona instrukcji).

Można też pobrać niniejszą instrukcję obsługi i jej aktualizacje na <http://www.2helpu.com/>



Αποχρωτής BXJE600E

Αξιότιμε πελάτη:

Σας ευχαριστούμε που αποφασίσατε να αγοράσετε ένα προϊόν μάρκας Black+Decker.

Η τεχνολογία, ο σχεδιασμός και η λειτουργία του, σε συνδυασμό με το γεγονός ότι το προϊόν πληροί τις αυστηρότερες προδιαγραφές ποιότητας θα σας εξασφαλίσουν πλήρη ικανοποίηση για πολύ καιρό.

Οδηγίες και προειδοποιήσεις ασφαλείας

- ♦ Διαβάστε προσεκτικά το παρόν φυλλάδιο οδηγιών πριν θέσετε σε λειτουργία τη συσκευή, και φυλάξτε το για να το συμβουλευέστε στο μέλλον. Η μη τήρηση και μη συμμόρφωση με τις εν λόγω οδηγίες μπορούν να οδηγήσουν σε ατύχημα.
- ♦ Πριν την πρώτη χρήση, καθαρίστε όλα τα μέρη του προϊόντος που μπορεί να έρθουν σε επαφή με τρόφιμα, κάνοντας αυτά που αναφέρονται στην παράγραφο για την καθαριότητα.
- ♦ Αυτή η συσκευή δεν πρέπει να χρησιμοποιείται από παιδιά. Φυλάξτε τη συσκευή και το καλώδιό της σύνδεσης στο ρεύμα μακριά από τα παιδιά.
- ♦ Αυτή τη συσκευή μπορούν να τη χρησιμοποιούν άτομα με μειωμένες σωματικές, αισθητηριακές ή νοητικές ικανότητες ή έλλειψη εμπειρίας και γνώσεων, εάν βρίσκονται υπό την κατάλληλη επιτήρηση ή έχουν λάβει την κατάλληλη εκπαίδευση για την ασφαλή χρήση της συσκευής και κατανοούν τους κινδύνους που ενέχει.
- ♦ Η παρούσα συσκευή δεν είναι παιχνίδι. Τα παιδιά πρέπει να επιτηρούνται ώστε να διασφαλίζεται ότι δεν παίζουν με τη συσκευή.
- ♦ Τα μαχαίρια είναι τροχισμένα και υπάρχει κίνδυνος να κοπείτε, για αυτό να είστε προσεκτικοί και να αποφεύγετε την άμεση επαφή με την ακμή τους.
- ♦ Προσέξτε όταν πιάνετε τα μαχαίρια κατά τις διαδικασίες της συναρμολόγησης και αποσυναρμολόγησης, του αδειάσματος του δοχείου και της καθαριότητας.
- ♦ Αποσυνδέστε τη συσκευή και βγάλτε την από την πρίζα όταν μένει χωρίς επιτήρηση και πριν την αλλαγή των αξεσουάρ ή των σχετικών εξαρτημάτων που κινούνται κατά τη χρήση, πριν τη συναρμολόγηση, την αποσυναρμολόγηση ή την καθαριότητα
- ♦ Μην χρησιμοποιείτε τη συσκευή αν το περιστρεφόμενο κόσκινο έχει υποστεί ζημιά ή το προστατευτικό κάλυμμα έχει υποστεί ζημιά ή έχει ρωγμές.

♦ Εάν έχει υποστεί βλάβη το καλώδιο σύνδεσης στο ρεύμα, πρέπει να αντικατασταθεί και να μεταφέρετε τη συσκευή σε εξουσιοδοτημένο σέρβις τεχνικής εξυπηρέτησης πελατών. Για να μην εκτεθείτε σε κίνδυνο, μην προσπαθήσετε να αποσυναρμολογήσετε ή να επιδιορθώσετε τη συσκευή.

- ♦ Πριν συνδέσετε τη συσκευή στο ρεύμα, ελέγξτε ότι η τάση που αναφέρεται στην πινακίδα σήμανσης συμπίπτει με την τάση του ρεύματός.
- ♦ Συνδέστε τη συσκευή σε βάση λήψης ρεύματος που αντέχει τουλάχιστον 10 αμπέρ.
- ♦ Το βύσμα της πρίζας της συσκευής πρέπει να συμπίπτει με την ηλεκτρική βάση λήψης ρεύματος. Μην αλλάζετε ποτέ το βύσμα της πρίζας. Μην χρησιμοποιείται μετασχηματιστές στο βύσμα της πρίζας.
- ♦ Φροντίστε ώστε η περιοχή εργασίας να είναι καθαρή και καλά φωτισμένη. Σε ακατάστατες και σκοτεινές περιοχές ενδέχεται να συμβούν ατυχήματα.
- ♦ Μην τοποθετείτε τη συσκευή επάνω σε ζεστές επιφάνειες, όπως εστίες μαγειρέματος, εστίες γκαζιού, φούρνους και συναφή.
- ♦ Η συσκευή πρέπει να χρησιμοποιείται και να διατηρείται σε επίπεδη και σταθερή επιφάνεια.
- ♦ Μην χρησιμοποιείτε τη συσκευή όταν το ηλεκτρικό καλώδιο ή το βύσμα έχουν υποστεί ζημιά.
- ♦ Εάν κάποιο από τα περιβλήματα της συσκευής σπάσει, αποσυνδέετε αμέσως τη συσκευή από το ρεύμα για να αποφύγετε πιθανότητα ηλεκτροπληξίας.
- ♦ Μην χρησιμοποιείτε τη συσκευή αν έχει πέσει στο δάπεδο, αν παρουσιάζει εμφανή φθορά ή διαρροή.
- ♦ Μην ασκείτε πίεση στο ηλεκτρικό καλώδιο. Ποτέ μη χρησιμοποιείτε το ηλεκτρικό καλώδιο για να σηκώσετε, να μεταφέρετε ή να αποσυνδέσετε τη συσκευή από την πρίζα.
- ♦ Μην τυλίγετε το ηλεκτρικό καλώδιο σύνδεσης γύρω από τη συσκευή.
- ♦ Μην αφήνετε το ηλεκτρικό καλώδιο σύνδεσης να σφηνώνει ή να διπλώνεται.
- ♦ Μην αφήνετε το ηλεκτρικό καλώδιο σύνδεσης να έρχεται σε επαφή με τις ζεστές επιφάνειες της συσκευής.
- ♦ Μην αφήνετε να κρέμεται το καλώδιο σύνδεσης από το τραπέζι ή να έρχεται σε επαφή με τις θερμές επιφάνειες της συσκευής.

- ♦ Ελέγξτε την κατάσταση του καλωδίου τροφοδοσίας. Αν το καλώδιο παρουσιάζει φθορά ή έχει μπλεχτεί αυξάνεται ο κίνδυνος ηλεκτροπληξίας.
- ♦ Το καλώδιο τροφοδοσίας πρέπει να εξετάζεται τακτικά ώστε να ανιχνεύονται σημάδια φθοράς, και αν υπάρχει φθορά, η συσκευή δεν πρέπει να χρησιμοποιείται.
- ♦ Μην χρησιμοποιείτε ούτε να φυλάσσετε τη συσκευή σε εξωτερικούς χώρους.
- ♦ Μην εκθέτετε τη συσκευή στη βροχή ή την υγρασία. Το νερό που εισέρχεται στη συσκευή αυξάνει τον κίνδυνο ηλεκτροπληξίας.
- ♦ Μην αγγίζετε το βύσμα σύνδεσης με υγρά χέρια.
- ♦ Πριν χρησιμοποιήσετε τη συσκευή σιγουρευτείτε πως οι λεπίδες είναι καλά τοποθετημένες στη συσκευή.
- ♦ Μην αγγίζετε τα κινητά τμήματα της συσκευής, όταν λειτουργεί.
- ♦ Να είστε προσεκτικοί μετά την παύση λειτουργίας της συσκευής, επειδή η λεπίδα/οι λεπίδες θα συνεχίσει/ουν να γυρίζει/ουν λόγω της μηχανικής αδράνειας.
- ♦ Η θερμοκρασία των προσβάσιμων επιφανειών μπορεί να είναι υψηλή όταν η συσκευή λειτουργεί

Χρήση και συντήρηση:

- ♦ Πριν από κάθε χρήση, ξετυλίξτε τελείως το καλώδιο τροφοδοσίας της συσκευής.
- ♦ Μην χρησιμοποιείτε τη συσκευή αν τα εξαρτήματά της δεν είναι σωστά συνταιριασμένα.
- ♦ Μην χρησιμοποιείτε τη συσκευή, εάν τα εξαρτήματα που τη συνοδεύουν παρουσιάζουν ελαττώματα. Φροντίστε να τα αντικαταστήσετε αμέσως.
- ♦ Μην χρησιμοποιείτε τη συσκευή εν κενώ ή χωρίς φορτίο.
- ♦ Μην χρησιμοποιείται τη συσκευή αν δεν λειτουργεί ο διακόπτης έναρξης/παύσης λειτουργίας.
- ♦ Μην μετακινείται τη συσκευή ενώ χρησιμοποιείται.
- ♦ Μην χρησιμοποιείται τη συσκευή κεκλιμένη ούτε να την αναποδογυρίζετε.
- ♦ Μην αναποδογυρίζετε τη συσκευή ενώ χρησιμοποιείται ή είναι συνδεδεμένη στο ρεύμα.
- ♦ Μην ζορίζετε τη δυνατότητα της συσκευής να δουλεύει.
- ♦ Αυτή η συσκευή έχει σχεδιαστεί μόνο για οικιακή χρήση, όχι για επαγγελματική ή βιομηχανική χρήση.
- ♦ Διατηρήστε την παρούσα συσκευή μακριά από τα παιδιά ή/και τα άτομα με μειωμένες σωματικές, αισθητηριακές ή διανοητικές ικανότητες ή άτομα με ελλιπείς εμπειρίες ή γνώσεις.
- ♦ Διατηρείτε τη συσκευή σε καλή κατάσταση. Βεβαιωθείτε ότι τα κινητά τμήματα παραμένουν ευθυγραμμισμένα ή δεν έχουν φρακάρει, ότι δεν υπάρχουν σπασμένα εξαρτήματα ή άλλες συνθήκες που μπορούν να επηρεάσουν την ορθή λειτουργία της συσκευής.

- Χρησιμοποιείτε αυτήν τη συσκευή, τα εξαρτήματα και εργαλεία της σύμφωνα με τις παρούσες οδηγίες, λαμβάνοντας υπόψη τις συνθήκες χρήσης καθώς και τη χρήση που θα γίνει. Η χρήση της συσκευής για διαφορετικές λειτουργίες από αυτές που προβλέπονται μπορεί να προκαλέσει επικίνδυνες καταστάσεις.
- Για να σπρώξετε τα τρόφιμα στον αγωγό γεμίματος, χρησιμοποιείτε πάντα το εξάρτημα προώθησης, μη χρησιμοποιείτε ποτέ τα δάχτυλά σας ή άλλα εξαρτήματα.
- Χρησιμοποιείτε πάντα τη συσκευή υπό επίτηρηση.
- Μην αφήνετε ποτέ συνδεδεμένη τη συσκευή και χωρίς επίτηρηση. Έτσι θα εξοικονομήσετε επίσης ενέργεια και θα επιμηκύνετε τη ζωή της συσκευής.
- Μη χρησιμοποιείτε τη συσκευή περισσότερο από 30 λεπτά συνεχόμενα.
- Μη χρησιμοποιείται τη συσκευή για κατεψυγμένα τρόφιμα ή κόκαλα.
- ΠΡΟΕΙΔΟΠΟΙΗΣΗ: Μη χρησιμοποιείτε τη συσκευή αν το το κρύσταλλο είναι ραγισμένο ή σπασμένο.

Λειτουργία:

- Η επισκευή της συσκευής πρέπει να πραγματοποιείται μόνο από ειδικευμένο προσωπικό και πρέπει να χρησιμοποιούνται μόνο γνήσια ανταλλακτικά ή εξαρτήματα για την αντικατάσταση υπαρχόντων τμημάτων/εξαρτημάτων.
- ΠΡΟΕΙΔΟΠΟΙΗΣΗ: Υπάρχει κίνδυνος πυρκαγιάς, σε περίπτωση που ο καθαρισμός της συσκευής δεν γίνει σύμφωνα με αυτές τις οδηγίες.
- Οποιαδήποτε μη ενδεδειγμένη χρήση ή χρήση αντίθετη προς τις οδηγίες χρήσης μπορεί να εγκυμονεί κινδύνους, και ακυρώνει την εγγύηση και την ευθύνη του κατασκευαστή.

Περιγραφή

- 1 Ωθών
- 2 Κάλυμμα δίσκου χυμού
- 3 Φίλτρο
- 4 Δίσκος
- 5 Λαβή
- 6 Αλλαγή
- 7 Βάση κινητήρα
- 8 Δοχείο πολτού υπολειμμάτων
- 9 Δοχείο χυμού

Σε περίπτωση που το μοντέλο της συσκευής σας δεν διαθέτει τα εξαρτήματα που περιγράφονται παραπάνω, αυτά τα εξαρτήματα μπορείτε να τα αποκτήσετε μεμονωμένα από τις υπηρεσίες τεχνικής συνδρομής.

Τρόπος λειτουργίας

Παρατηρήσεις πριν τη χρήση:

- Βεβαιωθείτε ότι έχετε αφαιρέσει όλα τα υλικά συσκευασίας του προϊόντος.
- Πριν χρησιμοποιήσετε το προϊόν για πρώτη φορά, καθαρίστε τα μέρη που έρχονται σε επαφή με τρόφιμα όπως περιγράφεται στην παράγραφο για την καθαριότητα.
- Ορισμένα εξαρτήματα της συσκευής έχουν λιπανθεί ελαφρώς και ως εκ τούτου, όταν μπει σε λειτουργία η συσκευή για πρώτη φορά, ίσως απελευθερωθεί λίγος καπνός. Μετά από λίγο αυτός ο καπνός θα σταματήσει.
- Προετοιμάστε τη συσκευή ανάλογα με τη λειτουργία που θέλετε να πραγματοποιήσετε.

Χρήση:

- Ξετυλίξτε τελείως το καλώδιο πριν συνδέσετε τη συσκευή στο ρεύμα.
- Ξετυλίξτε από το αποθηκευμένο καλώδιο το μήκος καλωδίου που χρειάζεστε.
- Ρυθμίστε το φίλτρο στο πάνω μέρος του σώματος.
- Βεβαιωθείτε ότι το Φίλτρο(3) έχει τοποθετηθεί σωστά, πιέζοντας προς τα κάτω στη θέση του.
- Τοποθετήστε το προστατευτικό κάλυμμα στη σωστή θέση, έτσι ώστε να είναι ακινητοποιημένο. (2)
- Συνδέστε τη συσκευή στο ηλεκτρικό δίκτυο.
- Τοποθετήστε ένα ποτήρι στην έξοδο του χυμού της συσκευής.
- Τοποθετήστε τη δεξαμενή πολτού (8) στη θέση της.
- Ξεκινήστε τη συσκευή ενεργοποιώντας τον επιλογέα στροφών: I (Αργή ταχύτητα) ή II (κανονική ταχύτητα)
- Η ταχύτητα 1 προτείνεται κυρίως για φρούτα και λαχανικά με μαλακή υφή, όπως καρπούζι, σταφύλια, ντομάτες, αγγούρια...
- Η ταχύτητα 2 είναι ιδανική για όλα τα υπόλοιπα είδη φρούτων και λαχανικών, όπως
- ΠΡΟΣΟΧΗ: Αν τα εξαρτήματα της συσκευής δεν είναι σωστά τοποθετημένα, η συσκευή δεν θα λειτουργήσει
- Επιλέξτε την επιθυμητή ταχύτητα.
- Επιλέξτε την επιθυμητή ταχύτητα: I (Αργή ταχύτητα) ή II (κανονική ταχύτητα)
- Η ταχύτητα I προτείνεται κυρίως για φρούτα και λαχανικά με μαλακή υφή, όπως καρπούζι, σταφύλια, ντομάτες, αγγούρια...
- Η ταχύτητα II είναι ιδανική για όλα τα υπόλοιπα είδη φρούτων και λαχανικών, όπως
- Υποβάλετε το τρόφιμο που θέλετε στην επιθυμητή διεργασία.
- Τοποθετήστε τα φρούτα ή τα λαχανικά, κατάλληλα

κομμένα, στο αντίστοιχο στόμιο του προστατευτικού καλύμματος.

- ♦ Πιέστε ελαφρά με το ωπήτριο.
- ♦ Ο χυμός και τα υπολείμματα θα βγουν αυτομάτως ξεχωριστά. Ο χυμός προς το δοχείο χυμού (9) και τα υπολείμματα προς το δοχείο πολλού υπολειμμάτων (8).
- ♦ Μην ασκείτε υπερβολική πίεση με το εξάρτημα άσκησης πίεσης, επειδή αυτό μπορεί να επηρεάσει την ποιότητα του τελικού αποτελέσματος ή ακόμη και να έχει ως αποτέλεσμα να σταματήσει να γυρνάει το φίλτρο.
- ♦ Μην τρέχετε τον κινητήρα περισσότερο από ένα λεπτό στη σειρά. Απενεργοποιήστε και αφήστε τον κινητήρα να κρυώσει για τουλάχιστον 1 λεπτό. Αν το χρησιμοποιήσετε πάνω από 3 λεπτά, μπορεί να προκληθεί βλάβη στη μηχανή.
- ♦ Μη χρησιμοποιείτε τη συσκευή περισσότερο από 30 λεπτό συνεχόμενα. Αν το χρησιμοποιήσετε επάνω από 3 λεπτά, μπορεί να προκληθεί βλάβη στη μηχανή.
- ♦ Αφού τελειώσετε, αφήστε τη μηχανή σε λειτουργία μερικά δευτερόλεπτα για να ολοκληρωθεί η εξαγωγή του χυμού.
- ♦ Πριν ανοίξετε τον αποχυμωτή, βεβαιωθείτε ότι η μηχανή έχει σταματήσει τελείως.
- ♦ Αφαιρέστε τις δεξαμενές χυμών και χαρτοπολλού (H), τον εκτυπωτή (1) και το προστατευτικό κάλυμμα (2).
- ♦ Τραβήξτε πρώτα το φίλτρο (3) και, στη συνέχεια, το πάνω μέρος του σώματος (4).
- ♦ Για να αποφύγετε μια κάπως ξαφνική εκκίνηση, προτείνουμε να ξεκινήσετε τη λειτουργία με τον διακόπτη επιλογής ισχύος στη χαμηλότερη θέση, και, αφού η συσκευή έχει τεθεί σε λειτουργία, να τον τοποθετήσετε στην ισχύ που επιθυμείτε.
- ♦ Για να αποφευχθεί η υπερβολική ξαφνική εκκίνηση, η εκκίνηση της συσκευής είναι σταδιακή.
- ♦ Αδειάστε την κανάτα του χυμού (9), ρίχνοντας τα περιεχόμενά του στα δοχεία για την υπηρεσία επιτραπέζιων που θέλετε.
- ♦ Σημείωση: Αν επεξεργάζεστε μεγάλη ποσότητα φρούτων, θα πρέπει περιοδικά να προβείτε σε καθαρισμό του φίλτρου και να απομακρύνετε τα κατάλοιπα πολλού.

Αφού ολοκληρωθεί η χρήση της συσκευής:

- ♦ Σταματήστε τη συσκευή επιλέγοντας τη θέση 0 στον διακόπτη επιλογής.
- ♦ Αποσυνδέστε τη συσκευή από το ηλεκτρικό δίκτυο.
- ♦ Μαζέψτε το καλώδιο και τοποθετήστε το στο σημείο αποθήκευσης του καλωδίου.

Καθαρίστε τη συσκευή.

Αποθήκευση καλωδίου

- ♦ Αυτή η συσκευή διαθέτει ένα σημείο αποθήκευσης για το καλώδιο σύνδεσης στο ρεύμα, το οποίο βρίσκεται στο πίσω μέρος της.
- ♦ Αυτή η συσκευή διαθέτει ένα σημείο αποθήκευσης για το καλώδιο σύνδεσης στο ρεύμα, το οποίο βρίσκεται στο κάτω μέρος της.

Θερμική προστασία ασφαλείας:

- ♦ Η συσκευή διαθέτει θερμική διάταξη ασφαλείας που προστατεύει τη συσκευή από τυχόν υπερθέρμανση.
- ♦ Αν η συσκευή απουσιάζει μόνη της και δεν ξανασινδύεται, βγάλτε τη από την πρίζα, περιμένετε περίπου 15 λεπτά, και ξαναβάλτε τη στην πρίζα. Αν πάλι δεν λειτουργεί, συμβουλευτείτε ένα εγκεκριμένο σέρβις.

Καθαριότητα

- ♦ Αποσυνδέστε τη συσκευή από το ρεύμα και αφήστε τη να κρυώσει πριν πραγματοποιήσετε οποιαδήποτε διαδικασία καθαρισμού.
- ♦ Καθαρίστε τη συσκευή με ένα υγρό πανί, βρεγμένο με μερικές σταγόνες απορρυπαντικού και μετά στεγνώστε τη.
- ♦ Μη χρησιμοποιείται διαλυτικά ούτε προϊόντα με όξινο ή αλκαλικό παράγοντα pH, όπως η χλωρίνη, ούτε λειαντικά προϊόντα για τον καθαρισμό της συσκευής.
- ♦ Μην αφήσετε να εισχωρήσει νερό ή άλλο υγρό από τα ανοίγματα εξαερισμού για να αποφύγετε ζημιές στα λειτουργικά τμήματα στο εσωτερικό της συσκευής.
- ♦ Αφαιρέστε τα φίλτρα. Πλύντε τα με ζεστό σαπουνόνερο ή με πλυντήριο πιάτων. Βάλτε τα ξανά στη σωστή θέση.
- ♦ Μην εμβαπτίζετε ποτέ τη συσκευή σε νερό ή άλλο υγρό, ούτε να τη βάζετε κάτω από τη βρύση.
- ♦ Κατά την διαδικασία καθαρισμού θα πρέπει να προσέχετε ιδιαίτερα τις λεπίδες διότι είναι πολύ μυτερές
- ♦ Σας προτείνουμε να καθαρίζετε τακτικά τη συσκευή και να αφαιρείτε όλα τα υπολείμματα τροφίμων.
- ♦ Αν η συσκευή δεν βρίσκεται σε καλή κατάσταση καθαριότητας, η επιφάνειά της μπορεί να χαλάσει και αυτό να επηρεάσει αναπόφευκτα τη διάρκεια ζωής της συσκευής και να οδηγήσει σε κατάσταση επικινδυνότητας.
- ♦ Τα ακόλουθα σκεύη μπορούν να καθαριστούν με ζεστό νερό με σαπούνι ή σε πλυντήριο πιάτων (χρησιμοποιείστε ένα ελαφρύ πρόγραμμα πλυσίματος):

- Εξάρτημα άσκησης πίεσης.
- Προστατευτικό κάλυμμα.
- Αποστρώσιμο φίλτρο.
- Κάτοχος φίλτρου.
- Δοχείο πολτού υπολειμμάτων.
- Δοχείο χυμού.

- ♦ Η θέση στράγγιση/στέγνωμα των εξαρτημάτων που πλένονται στο πλυντήριο πιάτων πρέπει να επιτρέπει την εύκολη στράγγιση του νερού.
- ♦ Στεγνώστε όλα τα εξαρτήματα πριν συναρμολογήσετε και φυλάξτε τη συσκευή.

Προβλήματα και επισκευές

- ♦ Σε περίπτωση βλάβης, μεταφέρετε τη συσκευή σε εγκεκριμένη υπηρεσία τεχνικής βοήθειας. Μην προσπαθήσετε να την αποσυναρμολογήσετε ή να την επισκευάσετε γιατί μπορεί να εκτεθείτε σε κίνδυνο.

Για τις εκδοχές ΕΕ της συσκευής και/ή εφόσον ισχύουν τα παρακάτω στη χώρα σας:

Οικολογία και ανακυκλωσιμότητα του προϊόντος

- ♦ Τα υλικά που απαρτίζουν τη συσκευασία αυτής της συσκευής, συμμετέχουν σε πρόγραμμα αποκομιδής, ταξινόμησης και ανακύκλωσης τους. Αν θέλετε να απαλλαγείτε από αυτά τα υλικά, μπορείτε να χρησιμοποιήσετε τους δημόσιους κάδους που ενδείκνυνται για κάθε είδος υλικού.
- ♦ Το προϊόν δεν περιέχει συγκεντρώσεις ουσιών που μπορούν να θεωρηθούν επιζήμιες για το περιβάλλον.



Αυτό το σύμβολο σημαίνει ότι εάν θέλετε να απαλλαγείτε από το προϊόν, όταν έχει ολοκληρωθεί ο κύκλος ζωής του, οφείλετε να το αναποθέσετε, με τα κατάλληλα μέσα, στα χέρια ενός διαχειριστή αποβλήτων, εγκεκριμένου για την επιλεκτική συλλογή αποβλήτων ειδών ηλεκτρικού και ηλεκτρονικού εξοπλισμού (ΑΗΗΕ).



Αυτό το σύμβολο δείχνει ότι η επιφάνεια μπορεί να θερμανθεί κατά τη διάρκεια της χρήσης.

Το παρόν προϊόν συμμορφώνεται με την οδηγία 2014/35/ΕΚ χαμηλής τάσης, με την οδηγία 2014/30/ΕΚ για την ηλεκτρομαγνητική συμβατότητα, με την οδηγία 2011/65/ΕΕ για τον περιορισμό της χρήσης ορισμένων επικίνδυνων ουσιών σε ηλεκτρικό και ηλεκτρονικό εξοπλισμό και με την οδηγία 2009/125/ΕΚ για τις απαιτήσεις οικολογικού σχεδιασμού όσον αφορά τα συνδεδεμένα με την ενέργεια προϊόντα.

ΕΓΓΥΗΣΗ ΚΑΙ ΤΕΧΝΙΚΗ ΥΠΟΣΤΗΡΙΞΗ

Το παρόν προϊόν αναγνωρίζεται και προστατεύεται από τη νόμιμη εγγύηση συμμόρφωσης προς την ισχύουσα νομοθεσία. Για να διεκδικήσετε τα δικαιώματά ή συμφέροντά σας πρέπει να απευθυνθείτε σε οποιοδήποτε από τα επίσημα γραφεία μας τεχνικής υποστήριξης.

Για να βρείτε το πιο κοντινό σε εσάς, ανατρέξτε στην ιστοσελίδα: <http://www.2helpu.com/>

Μπορείτε επίσης να ζητήσετε πληροφορίες, επικοινωνώντας μαζί μας (συμβουλευτείτε την τελευταία σελίδα του εγχειριδίου).

Μπορείτε να «κατεβάσετε» από το διαδίκτυο το παρόν εγχειρίδιο οδηγιών και τις σχετικές ενημερώσεις του στο <http://www.2helpu.com/>

Соковыжималка ВХЈЕ600Е

Уважаемый клиент!

Благодарим за выбор аппарата торговой марки Black & Decker.

Он выполнен с применением передовых технологий, имеет элегантный дизайн, надежную конструкцию и превышает наиболее требовательные стандарты качества, что обеспечит полное соответствие вашим требованиям и продолжительный срок службы.

Инструкция по технике безопасности

- ♦ Внимательно прочтите эту инструкцию перед включением электроприбора и сохраните ее для использования в будущем. Ненадлежащее соблюдение этой инструкции может быть причиной несчастного случая.
- ♦ перед использованием очистите все части, которые будут контактировать с продуктами питания;
- ♦ детям не разрешается использовать этот прибор. Храните прибор и его кабель вне досягаемости детей.
- ♦ этот электроприбор может использоваться лицами с ограниченными физическими, сенсорными или умственными возможностями, а также лицами, не обладающими соответствующим опытом или знаниями, только под присмотром или после проведения инструктажа по безопасному использованию прибора и с пониманием связанных с ним опасностей;
- ♦ Прибор не является игрушкой. Необходимо следить за детьми, чтобы они не играли с ним.
- ♦ Так как лезвия острые, они могут причинить вред, будьте осторожны и избегайте прямого контакта с режущими краями ножей.
- ♦ Обратите особое внимание на ножи во время сборки и разборки прибора, при опорожнении чаши и чистке прибора.
- ♦ после использования, перед заменой принадлежностей или для доступа к подвижным деталям, для операций разборки, сборки или чистки обязательно выключайте прибор и отключайте его от сети;
- ♦ не разрешается использовать прибор с поврежденным вращающимся фильтром, поврежденной или треснутой защитной крышкой;
- ♦ Поврежденный сетевой шнур подлежит замене в авторизованном сервисном центре. Не допускается разбирать или ремонтировать прибор, поскольку это небезопасно.

- ♦ Прежде чем включить электроприбор, убедитесь, что напряжение на этикетке соответствует напряжению в сети.
- ♦ Подключите электроприбор к розетке, рассчитанной на ток не менее 10 ампер;
- ♦ Сетевая вилка должна подходить к розетке. Не допускается вносить изменения в вилку сетевого шнура. Не допускается также использовать переходники для розетки;
- ♦ Рабочее место, где используется прибор, должно быть чистым и хорошо освещенным. Беспорядок и недостаточное освещение могут стать причиной несчастного случая.
- ♦ Не ставьте прибор на горячие поверхности: на конфорки, газовые горелки, в духовку и т.П.
- ♦ Чтобы использовать прибор, его нужно установить на ровную и устойчивую поверхность;
- ♦ Не допускается эксплуатировать электроприбор с поврежденным шнуром или вилкой питания.
- ♦ При любом повреждении корпуса электроприбора немедленно отключите его от сети, чтобы не допустить поражения электрическим током;
- ♦ Не допускается использовать прибор после падения на пол, если на нем имеются видимые следы повреждений или протечка.
- ♦ Не тяните шнур питания. Не допускается использовать шнур питания, чтобы поднимать или переносить электроприбор, вынимать вилку из розетки, потянув за шнур.
- ♦ Не наматывайте сетевой шнур на прибор.
- ♦ Не допускается пережимать или сильно сгибать шнур питания.
- ♦ Не допускается, чтобы шнур питания касался горячих частей прибора.
- ♦ Не допускается, чтобы сетевой шнур свешивался или касался горячих частей прибора.
- ♦ Проверьте состояние шнура питания. Поврежденный или запутанный шнур может быть причиной поражения электрическим током.
- ♦ Данный прибор не предназначен для использования вне дома.
- ♦ Сетевой шнур нужно периодически проверять, чтобы не допустить использование прибора с поврежденным шнуром питания.
- ♦ Не допускается использовать или хранить электроприбор на открытом воздухе.
- ♦ Не оставляйте прибор под дождем или во влажном месте. Если в прибор попадет вода, это может стать причиной поражения электрическим током;
- ♦ Не прикасайтесь к вилке влажными руками.

- ♦ Примите все меры к тому, чтобы прибор не мог быть запущен случайным образом;
- ♦ Перед включением убедитесь в том, что ножи прочно закреплены на приборе.
- ♦ Не прикасайтесь к подвижным частям во время работы прибора.
- ♦ Будьте осторожны после выключения прибора, так как ножи будут продолжать вращаться по инерции.
- ♦ Температура поверхности включенного электроприбора может быть очень горячей.

Использование и уход

- ♦ Перед каждым использованием полностью разворачивайте сетевой кабель;
- ♦ Не допускается эксплуатировать прибор, если принадлежности установлены недостаточно надежно.
- ♦ Не используйте прибор с неисправными принадлежностями. Их следует немедленно установить правильно;
- ♦ Не допускается, чтобы прибор работал без загрузки;
- ♦ Не допускается, чтобы прибор работал без загрузки;
- ♦ Не допускается эксплуатировать электроприбор с неисправным выключателем питания.
- ♦ Не перемещайте прибор во время использования.
- ♦ Для перемещения или удержания электроприбора используйте его ручку.
- ♦ Не переворачивайте прибор, если он используется или подключен к сети.
- ♦ Не перегружайте прибор;
- ♦ Этот прибор предназначен только для домашнего, а не профессионального или промышленного использования;
- ♦ Храните этот прибор вне досягаемости детей и/или лиц с ограниченными физическими, сенсорными или умственными возможностями, а также тех, кто не знаком с правилами его использования;
- ♦ Поддерживайте прибор в надлежащем рабочем состоянии. Проверьте, чтобы не было перекосов и заедания подвижных частей, не было поломанных деталей и прибор работал исправно;
- ♦ Любое несоответствующее использование прибора или несоблюдение инструкций по эксплуатации освобождают производителя от гарантийных обязательств по ремонту, а также снимают ответственность с изготовителя. Несоблюдение норм безопасности может привести к несчастному случаю.
- ♦ Для проталкивания ингредиентов всегда используйте толкатель. Никогда не делайте это при помощи пальцев или других предметов.

- ♦ Во время использования никогда не оставляйте прибор без присмотра.
- ♦ Не оставляйте включенный электроприбор без присмотра. Это сохранит электроэнергию и продлит срок его службы.
- ♦ Время непрерывной работы составляет не более 30 минут.
- ♦ Не используйте прибор для переработки замороженных продуктов или костей
- ♦ Внимание: не используйте прибор, если стекло треснуто или разбито.

Сервисное обслуживание:

- ♦ Ремонтировать прибор разрешается только квалифицированным специалистам с использованием только оригинальных запасных частей.
- ♦ ВНИМАНИЕ: Очистка прибора должна осуществляться согласно данным инструкциям, так как в противном случае существует повышенный риск возникновения пожара.
- ♦ Любое неправильное использование или несоблюдение инструкций автоматически приводит к аннулированию гарантии и снятию ответственности производителя.

Описание

- 1 Толкатель
- 2 Крышка
- 3 Фильтр
- 4 Контейнер для сока
- 5 Ручка
- 6 Переключатель
- 7 Основание двигателя
- 8 Контейнер для жмыха
- 9 Чаша для сока

Если ваша модель не укомплектована нужной вам принадлежностью, ее можно приобрести отдельно через службу технической поддержки.

Инструкция по эксплуатации

Перед использованием:

- ♦ Убедитесь в том, что вы полностью распаковали прибор.
- ♦ перед первым использованием очистите все части, которые будут контактировать с продуктами питания, как описывается в разделе, посвященном чистке.
- ♦ некоторые части прибора могут быть слегка смазаны. Вследствие этого, во время первого применения прибора может появиться небольшой

- дым. После некоторого времени, дым прекратится.
- ♦ подготовьте электроприбор к работе.

Использование:

- ♦ Полностью разверните кабель перед подключением к сети.
- ♦ Вытяните кабель питания на нужную длину
- ♦ Отрегулируйте фильтр в верхней части корпуса.
- ♦ Убедитесь, что фильтр (3) установлен правильно, поворачивая и слегка нажимая его вниз.
- ♦ Установите крышку (2) в правильное положение.
- ♦ Подключите прибор к сети.
- ♦ Поместите стакан под сборный носик для сока.
- ♦ Установите чашу для сока (F) и контейнер для жмыха (8) в правильное положение.
- ♦ Включите прибор, используя одну из скоростей ручки управления: I (низкая скорость) или II (нормальная скорость);
- ♦ Выберите желаемую скорость.
- ♦ Выберите нужную скорость: I (низкая скорость) или II (нормальная скорость);
- ♦ Скорость I применяется для мягких фруктов или овощей, таких как арбуз, виноград, помидоры, огурцы и т. д.
- ♦ Скорость II применяется для всех фруктов и овощей, таких как яблоки, морковь и т. д.
- ♦ Начните работу с едой, которую вы хотите обработать.
- ♦ Поместите хорошо промытые фрукты или овощи в горловину для подачи плодов.
- ♦ Аккуратно нажмите на толкатель.
- ♦ Сок и жмых будут автоматически разделены: сок будет литься непосредственно в стакан, а жмых - на держатель фильтра.
- ♦ Сок и жмыхи автоматически разделяются: готовый сок поступает в чашу (9), а остатки мякоти – в контейнер для жмыхов (8)
- ♦ Не нажимайте толкателем слишком сильно, поскольку это повлияет на качество сока. По этой причине даже может остановиться фильтр.
- ♦ Не запускайте двигатель более, чем на 1 минуту за раз. Выключите прибор и дайте ему остыть по меньшей мере в течение 1 минуты. В противном случае может быть поврежден двигатель;
- ♦ Время непрерывной работы составляет не более 30 минут. В противном случае может быть поврежден двигатель.
- ♦ Оставьте двигатель включенным еще на несколько секунд, чтобы дать соку окончательно стечь.

- ♦ Не открывайте блендер, пока двигатель полностью не остановится.
- ♦ Уберите контейнеры для сока и жмыха (8), толкатель (1) и защитную крышку.
- ♦ Сначала установите фильтр (3), а затем верхний корпус прибора(2).
- ♦ Чтобы избежать резкого запуска вентилятора, рекомендуется начать с самой низкой скорости и уже после того, как вентилятор был включен, постепенно увеличивать скорость до нужной.
- ♦ Чтобы избежать жесткого запуска, включайте прибор постепенно.
- ♦ Опорожните контейнер для сока (9), опрокинув его содержимое в любую тару для отходов.
- ♦ Примечание: если перерабатываете большое количества фруктов, не забывайте периодически прочищать фильтр и удалять остатки мякоти.

После использования:

- ♦ Остановите двигатель, выбрав позицию 0 на переключателе скоростей.
- ♦ Отключите прибор от сети.
- ♦ Уложите кабель в отсек для хранения.
- ♦ Очистите прибор.

Отсек для хранения шнура питания

- ♦ В приборе имеется отсек для хранения шнура питания.
- ♦ В нижней части прибора имеется отсек для хранения шнура питания.

Тепловая защита и безопасность:

- ♦ Прибор оснащен защитным устройством, которое защищает его от перегрева.
- ♦ Если прибор самостоятельно выключается и не включается снова, отключите его от электросети и подождите около 15 минут перед его повторным подключением. Если прибор не включается, обратитесь за квалифицированной технической поддержкой.

Очистка

- ♦ Отсоедините прибор от сети после использования, чтобы он остыл перед чисткой.
- ♦ очистите прибор, используя влажную ткань и несколько капель чистящей жидкости, а затем сухую ткань.
- ♦ Не допускается использовать растворители или продукты на основе кислоты или с высоким уровнем

pH, например, отбеливатель, а также абразивные чистящие вещества.

- ♦ Не допускайте попадания внутрь через отверстия для прохождения воздуха воды или иной жидкости, чтобы не повредить внутренние части.
- ♦ Чтобы снять фильтр. Произведите очистку прибора в горячей мыльной воде или в посудомоечной машине. Правильно заменяйте детали.
- ♦ Не помещайте электроприбор в воду или иную жидкость, а также под струю воды.
- ♦ Во время чистки прибора необходимо быть особенно осторожным с острыми насадками-ножами.
- ♦ рекомендуется регулярно очищать прибор и тщательно удалять все пищевые остатки;
- ♦ если прибор не будет поддерживаться в чистом состоянии, его поверхность может быть повреждена, срок службы сокращен, а его использование может стать небезопасным;
- ♦ никакие части этого электроприбора не допускаются мыть в посудомоечной машине.
- ♦ вы можете мыть в посудомоечной машине следующие части:
 - Толкатель
 - Крышка
 - Съёмный фильтр.
 - Контейнер для сока
 - Контейнер для жмыха
- ♦ Режим сушки для частей, которые можно мыть в посудомоечной машине или раковине, позволит воде легко стечь.
- ♦ Затем просушите все части перед сборкой.

Неисправности и ремонт

- ♦ В случае неисправности отнесите электроприбор в сервисный центр. Не пытайтесь самостоятельно ремонтировать электроприбор — это может быть опасно;

Для изделий в версии ЕС и/или, если этого требует законодательство в вашей стране:

Экология и вторичное использование

- ♦ Материалы упаковки прибора принимаются системой сбора и сортировки материалов для вторичного их использования. Для утилизации используйте бытовые контейнеры для каждого типа мусора.

- ♦ В изделии нет веществ в концентрациях, которые считаются вредными для окружающей среды.



Этот значок означает, что после окончания срока службы для утилизации электроприбора отнесите его в пункт сбора электрических и электронных отходов (WEEE)



Этот символ означает, что поверхность может сильно нагреваться во время использования.

Этот прибор выполнен в соответствии с Директивой по низковольтному оборудованию 2014/35/EU, Директивой по электромагнитной совместимости 2014/30/EU, Директивой 2011/65/EU, ограничивающей использование некоторых опасных веществ в электрическом и электронном оборудовании, а также Директивой 2009/125/EC по экологическим требованиям к изделиям, потребляющим энергию.

ГАРАНТИЯ И ТЕХНИЧЕСКАЯ ПОДДЕРЖКА

Этот продукт защищен юридической гарантией в соответствии с действующим законодательством. Чтобы обеспечить соблюдение ваших прав или интересов, вы должны обратиться в любую из наших официальных служб по технической поддержке клиентов.

Вы можете найти ближайшие из центров, пройдя по следующей веб-ссылке: <http://www.2helpu.com/>

Вы также можете запросить соответствующую информацию, связавшись с нами (см. последнюю страницу руководства).

Вы можете скачать это руководство и обновления к нему по адресу <http://www.2helpu.com/>

Storcător de suc BXJE600E

Stimate client,

Multe mulțumiri pentru alegerea achiziționării unui produs marca Black+Decker.

Datorită tehnologiei sale, designului și modului de funcționare, precum și faptului că depășește cele mai stricte standarde de calitate, se poate garanta o utilizare complet satisfăcătoare și de lungă durată a produsului.

Recomandări și avertizări privind siguranța

- ◆ Înainte de a porni aparatul, citiți cu atenție aceste instrucțiuni și păstrați-le pentru a le putea consulta în viitor. Nerespectarea acestor instrucțiuni poate provoca un accident.
- ◆ Înainte de utilizare, curățați toate componentele produsului care vor fi în contact cu alimentele, așa cum este indicat în secțiunea de curățare.
- ◆ Acest aparat nu trebuie utilizat de copii. Nu lăsați aparatul și cablul acestuia la îndemâna copiilor.
- ◆ Acest aparat poate fi utilizat de către persoane cu capacități fizice, senzoriale sau mentale reduse sau fără experiență și cunoștințe în cazul în care acestora li se asigură supraveghere sau au fost instruite cu privire la utilizarea aparatului într-un mod sigur și înțeleg pericolele implicate.
- ◆ Acest aparat nu este o jucărie. Copiii trebuie supravegheați, pentru a vă asigura că nu se joacă cu aparatul.
- ◆ Lamele sunt ascuțite și pot răni; fiți atent și evitați contactul direct cu marginile tăioase ale lamelor.
- ◆ Fiți deosebit de atent când manevrați lamele, în timpul operațiilor de asamblare și de dezasamblare, la golirea vasului și în timpul curățării.
- ◆ Opriti întotdeauna aparatul și deconectați-l de la sursa de curent dacă este lăsat nesupravegheat și înainte de schimbarea accesoriilor sau de apropierea de piesele care sunt în mișcare în timpul utilizării, înainte de asamblare, dezasamblare sau curățare.
- ◆ Nu utilizați aparatul dacă sita rotativă este deteriorată sau capacul de protecție este deteriorat sau are fisuri vizibile.
- ◆ În cazul în care conexiunea la rețeaua de alimentare a fost avariata, aceasta trebuie înlocuită, iar aparatul trebuie dus la un service de asistență tehnică autorizat. Nu încercați să dezasamblați sau să reparați aparatul pe cont propriu, pentru a evita pericolele.
- ◆ Înainte de a brânza aparatul, verificați dacă tensiunea de pe plăcuța de identificare a aparatului corespunde celei de la priză.
- ◆ Conectați aparatul la o priză cu împământare de minim 10 amperi.
- ◆ Ștecherul aparatului trebuie să intre corect în priză. Nu modificați ștecherul. Nu utilizați adaptoare pentru ștechere.
- ◆ Păstrați zona de lucru curată și iluminată corespunzător. Zonele înghesuite și întunecate prezintă risc de accidente.

- ♦ Nu puneți aparatul pe suprafețe fierbinți, cum ar fi plite, arzătoare cu gaz, cuptoare sau alte dispozitive asemănătoare.
- ♦ Aparatul trebuie utilizat și amplasat pe o suprafață plană și stabilă.
- ♦ Nu utilizați aparatul dacă acesta are ștecherul sau cablul de alimentare deteriorat.
- ♦ Dacă una din părțile carcasi aparatului se sparge, deconectați imediat aparatul de la rețea, pentru a preveni posibilitatea unui șoc electric.
- ♦ Nu utilizați aparatul dacă a fost scăpat pe podea, dacă există semne vizibile de deteriorare sau dacă prezintă scurgeri.
- ♦ Nu forțați cablul de alimentare. Nu utilizați niciodată cablul electric pentru a ridica, transporta sau decupla aparatul.
- ♦ Nu înfășurați cablul electric în jurul aparatului.
- ♦ Nu prindeți cu cleme și nu pliați cablul de alimentare.
- ♦ Nu lăsați cablul de alimentare să intre în contact cu suprafețele fierbinți ale aparatului.
- ♦ Nu permiteți cablului de alimentare să atârne sau să intre în contact cu suprafețele fierbinți ale aparatului.
- ♦ Verificați starea cablului de alimentare. Cablurile deteriorate sau încurcate măresc riscul de electrocutare.
- ♦ Acest aparat nu este adecvat pentru utilizarea în exterior.
- ♦ Cablul de alimentare trebuie examinat regulat pentru semne de uzură, iar dacă este deteriorat, aparatul nu trebuie utilizat
- ♦ Nu utilizați și nici nu depozitați aparatul în exterior.
- ♦ Nu lăsați aparatul în ploaie sau expus la umezeală. În cazul în care se infiltrează apă în interiorul aparatului, riscul de electrocutare va crește.
- ♦ Nu atingeți ștecherul cu mâinile ude.
- ♦ Luați măsurile necesare pentru a evita pornirea involuntară a aparatului.
- ♦ Înainte de a-l utiliza asigurați-vă că lama/lamele sunt bine fixate în aparat.
- ♦ Nu atingeți niciuna din piesele mobile ale aparatului în timp ce acesta este în funcțiune.
- ♦ Aveți grijă după efectuarea operației de oprire a aparatului, deoarece lama/lamele vor continua să se miște ca urmare a inerției mecanice.
- ♦ Temperatura suprafețelor accesibile poate fi ridicată în timpul utilizării aparatului.

Utilizare și îngrijire:

- ♦ Desfășurați complet cablul de alimentare al aparatului înainte de fiecare utilizare.

- ♦ Nu utilizați aparatul dacă accesoriile sale nu sunt montate corespunzător.
- ♦ Nu utilizați aparatul dacă accesoriile atașate sunt defecte. Înlocuiți-le imediat.
- ♦ Nu folosiți aparatul dacă este gol.
- ♦ Nu utilizați aparatul dacă este gol.
- ♦ Nu utilizați aparatul dacă întrerupătorul pomit/oprit nu funcționează.
- ♦ Nu mișcați aparatul în timpul utilizării.
- ♦ Utilizați mânerul aparatului pentru a-l apuca sau deplasa.
- ♦ Nu răsturnați aparatul în timpul utilizării sau dacă este conectat la rețeaua de alimentare.
- ♦ Nu forțați capacitatea de lucru a aparatului.
- ♦ Acest aparat este destinat numai pentru utilizarea în gospodărie și, nu pentru utilizări profesionale sau industriale.
- ♦ Depozitați aparatul într-un loc care să nu fie la îndemâna copiilor și/sau a persoanelor cu capacități fizice, senzoriale sau mentale reduse, ori care nu au experiența sau cunoștințele necesare.
- ♦ Păstrați aparatul în stare bună. Verificați piesele mobile pentru a vedea dacă nu sunt nealiniate sau blocate și asigurați-vă că nu există piese rupte sau anomalii care pot afecta funcționarea corectă a aparatului.
- ♦ Utilizați aparatul, accesoriile și sculele sale conform acestor instrucțiuni. Țineți cont de condițiile de funcționare și de sarcina pe care o îndepliniți. Orice utilizare incorectă sau în dezacord cu instrucțiunile de utilizare poate implica un pericol.

Alegeți propoziția adecvată în funcție de aparat.

- ♦ Pentru a împinge alimentele, utilizați întotdeauna dispozitivul pentru împingerea acestora. Nu utilizați niciodată degetele sau alte accesorii.
- ♦ Nu lăsați niciodată aparatul nesupravegheat în timp ce este utilizat.
- ♦ Nu lăsați niciodată aparatul conectat și nesupravegheat dacă nu este utilizat. Astfel se economisește energie și se prelungeste durata de viață a aparatului.
- ♦ Nu utilizați aparatul pentru mai mult de 30 de minute odată.
- ♦ Nu utilizați aparatul cu alimente congelate sau care conțin oase.
- ♦ **ATENȚIE!** Nu utilizați aparatul dacă sticla este fisurată sau spartă.

Service:

- ♦ Asigurați-vă că lucrările de întreținere sunt efectuate doar de personal calificat și că sunt utilizate doar piese de schimb și accesorii originale pentru înlocuirea pieselor/accesoriilor existente.
- ♦ **ATENȚIE!** Există risc de incendiu în cazul în care curățarea aparatului nu se realizează conform acestor instrucțiuni.
- ♦ Orice utilizare necorespunzătoare sau nerespectarea instrucțiunilor face ca garanția și responsabilitățile producătorului să devină nule și neavenite.

Descriere

- 1 Dispozitiv pentru împingere
- 2 Capacul căni de suc
- 3 Filtru
- 4 Cană de suc
- 5 Mâner
- 6 Comutator
- 7 Suport motor
- 8 Vas pentru pulpa fructului
- 9 Recipient suc

Dacă modelul aparatului dvs. nu are accesoriile descrise mai sus, acestea pot fi achiziționate și separat de la Serviciul de Asistență Tehnică.

Instrucțiuni de utilizare**Înainte de utilizare:**

- ♦ Asigurați-vă că ați înlăturat toate ambalajele produsului.
- ♦ Tot înainte de prima utilizare, curățați componentele care vor intra în contact cu alimentele în modul prezentat în secțiunea despre curățare.
- ♦ Unele piese ale aparatului au fost lubrifiate ușor. În consecință, puteți observa puțin fum la prima utilizare a aparatului. După o perioadă scurtă de timp, fumul va dispărea.
- ♦ Pregătiți aparatul conform funcției pe care doriți să o utilizați:

Utilizare:

- ♦ Desfășurați complet cablul înainte de a-l introduce în priză.
- ♦ Scoateți cablul din carcasă până la lungimea necesară.
- ♦ Reglați filtrul în corpul superior.
- ♦ Asigurați-vă că filtrul (3) este poziționat corespunzător, întorcând aparatul și apăsând în jos.
- ♦ Poziționați capacul protector (2) în poziția corectă.
- ♦ Conectați aparatul la rețeaua principală de alimentare.
- ♦ Poziționați geamul la ieșirea sucului din aparat.

- ♦ Poziționați căniile pentru suc și pulpă (8) în poziție.
- ♦ Porniți aparatul utilizând una din vitezile butonului de comandă: I (viteză redusă) sau II (viteză normală).
- ♦ Selectați viteza dorită.
- ♦ Alegeți viteza dorită: I (viteză redusă) sau II (viteză normală).
- ♦ Viteza I este potrivită în mod deosebit pentru fructe și legume moi, precum pepeni verzi, struguri, roșii, castraveți...
- ♦ Viteza II este potrivită pentru toate celelalte tipuri de fructe și legume, precum mere, morcovi...
- ♦ Lucrați cu alimentele pe care doriți să le procesați.
- ♦ Introduceți fructul sau leguma tăiată corespunzător în deschiderea potrivită a capacului protector.
- ♦ Apăsăți ușor cu dispozitivul pentru împingere.
- ♦ Sucul și resturile de pulpă se vor separa automat: sucul direct în cană și reziduurile în suportul filtrului.
- ♦ Sucul și resturile de pulpă se vor separa automat: sucul va curge în pahar (9), iar resturile de pulpă vor rămâne în vasul colector pentru pulpă (8).
- ♦ Nu exercitați prea multă presiune pe dispozitivul de împingere, pentru că aceasta poate afecta calitatea produsului final. Poate rezulta chiar în oprirea filtrului.
- ♦ Nu rulați motorul pentru mai mult de 1 minut odată. Opriți motorul și permiteți răcirea acestuia pentru cel puțin 1 minut. În caz contrar, motorul poate fi deteriorat.
- ♦ Nu utilizați aparatul pentru mai mult de 30 de minute odată. În caz contrar, motorul poate fi deteriorat.
- ♦ După ce ați terminat, lăsați motorul să funcționeze pentru câteva secunde, astfel încât sucul să poată fi scurs.
- ♦ Înainte de deschiderea blenderului, asigurați-vă că motorul s-a oprit complet.
- ♦ Îndepărtați stocurile de suc și pulpă (8), dispozitivul de împingere (1) și capacul protector.
- ♦ Mai întâi trageți filtrul (3) și apoi corpul superior (2).
- ♦ Pentru a evita pornirea în forță a ventilatorului, se recomandă să începeți de la poziția pentru viteza minimă și, după ce se cuplează ventilatorul, să măriți treptat viteza până la poziția dorită.
- ♦ Pentru a evita pornirea la maxim, aparatul este pornit progresiv.
- ♦ Goliți cana de suc (9), extinzându-i conținutul în orice recipient de serviciu de masă dorit.
- ♦ **Remarcă:** Dacă procesați o cantitate mare de fructe, trebuie să curățați filtrul periodic și să îndepărtați resturile de pulpă.

După ce ați terminat de utilizat aparatul:

- ♦ Oprii aparatul selectând poziția 0 cu butonul selector.
- ♦ Scoateți aparatul de la rețeaua de alimentare.
- ♦ Puneți cablul înapoi în compartimentul acestuia.
- ♦ Curățați aparatul.

Compartimentul cablului

- ♦ Acest aparat dispune de un locaș pentru cablul de conexiune la rețea situat în partea sa posterioară.
- ♦ Acest aparat este prevăzut cu un compartiment pentru cablu, amplasat sub acesta.

Protector termic de siguranță:

- ♦ Aparatul are un dispozitiv de siguranță care previne supraîncălzirea sa.
- ♦ Dacă aparatul se oprește singur și nu pornește din nou, deconectați-l de la rețeaua de alimentare și așteptați aproximativ 15 minute înainte de a-l reconecta. Dacă mașina nu pornește din nou, solicitați asistență tehnică autorizată.

Curățare

- ♦ Decuplați aparatul de la rețeaua de alimentare și lăsați-l să se răcească înaintea oricărei operații de curățare.
- ♦ Curățați aparatul cu o cârpă umedă și câteva picături de detergent lichid, apoi uscați-l.
- ♦ Nu utilizați solvenți sau produse cu pH acid sau bazic, precum înălbitori sau produse abrazive, pentru curățarea aparatului.
- ♦ Nu permiteți ca apa sau orice alt lichid să pătrundă în gurile de aerisire, pentru a evita deteriorarea pieselor interne ale aparatului.
- ♦ Pentru a demonta filtrele. Curățați în apă fierbinte, cu săpun sau într-o mașină de spălat vase. Puneți la loc corect piesele.
- ♦ Nu introduceți niciodată aparatul în apă sau în orice alt lichid și nici nu țineți aparatul sub jet de apă.
- ♦ În timpul procesului de curățare fiți foarte atenți la lame, deoarece sunt foarte ascuțite.
- ♦ Este recomandabil să curățați aparatul în mod regulat și să îndepărtați resturile de alimente.
- ♦ Dacă aparatul nu este bine curățat, suprafața sa se poate deteriora, afectând în mod inevitabil durata sa de viață devenind nesigur pentru utilizare.
- ♦ Nicio componentă a aparatului nu este potrivită pentru curățare în mașina de spălat vase.
- ♦ Următoarele piese pot fi spălate în mașina de spălat vase (utilizând un program de curățare delicată):

- Dispozitivul pentru împingere
- Capacul câinii de suc
- Filtrul demontabil.
- Cana pentru suc
- Cana de stocare a pulpei

- ♦ Poziția de scurgere/uscarea a articolelor care pot fi plasate în mașina de spălat vase sau a celor puse în chiuvetă trebuie să faciliteze scurgerea.
- ♦ Apoi uscați toate piesele înainte de asamblare și depozitare.

Anomalii și reparații

- ♦ Dacă produsul este deteriorat sau apar alte probleme, duceți aparatul la un service de asistență tehnică autorizat. Nu încercați să-l demontați sau să-l reparați fără ajutor, deoarece poate fi periculos.

Pentru versiunile UE ale produsului și/sau în cazul în care este obligatoriu în țara dvs.:

Ecologia și reciclarea produsului

- ♦ Materialele din care este format ambalajul acestui produs sunt incluse în sistemul de colectare, clasificare și reciclare. Dacă doriți să le eliminați, vă rugăm să utilizați pubelele publice corespunzătoare fiecărui tip de material.
- ♦ Produsul nu conține substanțe în concentrații care ar putea fi considerate ca dăunătoare pentru mediu.



Acest simbol înseamnă că, în cazul în care doriți să aruncați aparatul la încheierea duratei sale de funcționare, trebuie să îl duceți la un centru de colectare a deșeurilor autorizat, în vederea colectării selective a deșeurilor de echipamente electrice și electronice (DEEE).



Acest simbol înseamnă că suprafața se poate înfierbânta în timpul utilizării

Acest aparat respectă Directiva 2014/35/UE cu privire la echipamentele electrice destinate utilizării în cadrul unor anumite limite de tensiune, Directiva 2014/30/UE cu privire la compatibilitatea electromagnetică, Directiva 2011/65/UE privind restricțiile de utilizare a anumitor substanțe periculoase în echipamentele electrice și electronice, precum și Directiva 2009/125/CE de instituire a unui cadru pentru stabilirea cerințelor în materie de proiectare ecologică aplicabile produselor cu impact energetic.

GARANȚIE ȘI ASISTENȚĂ TEHNICĂ

Acest produs beneficiază de recunoașterea și protecția garanției legale în conformitate cu legislația în vigoare. Pentru a vă exercita drepturile sau interesele, trebuie să vă adresați unuia dintre serviciile noastre oficiale de asistență tehnică.

Puteți găsi cel mai apropiat serviciu de asistență tehnică accesând următorul link web: <http://www.2helpu.com/>

De asemenea, puteți solicita informații conexe, contactând-ne (consultați ultima pagină a manualului).

Puteți descărca acest manual de instrucțiuni și actualizările sale la <http://www.2helpu.com/>

**Сокоизстисквачка
VXJE600E****Уважаеми клиенти,**

Благодарим Ви, че закупихте електроуред с марката Black & Decker.

Технологията, дизайнът и функционалността на същия, както и фактът, че той надвишава най-стриктните норми за качество ще Ви донесат пълно и дълготрайно задоволство от него.

**Съвети и предупреждения за
безопасност.**

- ◆ Прочетете внимателно тази брошура, преди да пуснете уреда в действие. Запазете я за по-нататъшни справки. Несъобразяването с настоящите указания може да предизвика произшествие.
- ◆ Преди да използвате ел. уреда за първи път, почистете всички части, намиращи се в допир с хранителните продукти, следвайки упътванията от раздел “Почистване”.
- ◆ Уредът не трябва да се използва от деца. Дръжте апарата и щепсела му далеч от достъпа на деца.
- ◆ Този апарат може да се използва от лица с физически, сетивни и умствени увреждания или от лица, които нямат опит с управлението му, при условие, че са контролирани или са получили инструкции за безопасната употреба на апарата и разбират възможните рискове.
- ◆ Този уред не е играчка! Децата следва да се намират под надзор, така че да не играят с апарата.
- ◆ Ножчетата са наточени и могат да причинят нараняване. Подходете внимателно и избягвайте пряк контакт с остриетата на ножчетата.
- ◆ Бъдете особено внимателни при боравенето с ножчетата, при дейностите по сглобяване и разглобяване, при изпразване на каната и по време на почистването.
- ◆ Изключвайте уреда от мрежата, когато не е в употреба, както и преди смяна на принадлежностите или близконамиращи се части, които се движат по време на неговата употреба, монтаж, демонтаж или почистване.
- ◆ Не използвайте уреда, ако въртящата се решетка е повредена или ако защитния капак е повреден или има пукнатини.
- ◆ В случаите на повреден захранващ кабел, същият следва да се подмени. В такива случаи, моля отнесете уреда в оторизиран сервиз за техническо обслужване. С цел избягване на произшествия, моля не

поправяйте и не разглобявайте уреда.

- ♦ Преди да свържете уреда към мрежата, проверете дали посоченото на табелката с техническите характеристики напрежение съвпада с напрежението на електрическата мрежа.
- ♦ Включете уреда в заземен източник на електрически ток, който да издържа най-малко 10 ампера.
- ♦ Щепселът на уреда следва да съвпада по вид с електрическия контакт. В никакъв случай не променяйте вида на щепсела. Не използвайте адаптори за щепсела.
- ♦ Поддържайте работното място чисто и добре осветено. Разхвърляните и тъмни места могат да доведат до злополуки.
- ♦ Не поставяйте уреда върху топли повърхности като плочи за готвене, газови котлони, фурни и др.
- ♦ Уредът следва да се постави и използва върху равна и устойчива повърхност.
- ♦ Не използвайте уреда при повреден кабел или щепсел.
- ♦ Ако някоя външна част на уреда се повреди, незабавно го изключете от захранващата мрежа, за да предотвратите опасността от електроудар.
- ♦ Забранена е употребата на уреда, ако същият е претърпял падане, ако има видими признаци за повреда, или при наличие на утечка.
- ♦ Не упражнявайте сила върху електрическия кабел. В никакъв случай не използвайте електрическия кабел за повдигане, пренасяне или изключване на апарата.
- ♦ Не навийте електрическия кабел около уреда.
- ♦ Не допускайте притискане или прегъване на електрическия кабел.
- ♦ Не допускайте електрическият кабел да се допира до горещите повърхности на уреда.
- ♦ Не допускайте електрическият кабел да се допира до горещите повърхности на уреда.
- ♦ Проверявайте състоянието на захранващия кабел. Ако кабелът е повреден или навит около апарата, опасността от електрически удар нараства.
- ♦ Проверявайте периодично състоянието на захранващия кабел. Не използвайте уреда, ако забележите следи от повреда.
- ♦ Не използвайте и не съхранявайте уреда на открито.
- ♦ Не излагайте уреда на дъжд и влага. Водата, проникнала в уреда повишава риска от електрически удар.
- ♦ Не пипайте щепсела за включване в мрежата с

мокри ръце.

- ♦ Преди да използвате уреда, уверете се, че ножчето/ножчетата са добре закрепени.
- ♦ Не се докосвайте до движещите се части на уреда, докато се намира в работен режим.
- ♦ След спирането на уреда, бъдете внимателни, тъй като ножчетата продължават да се въртят по инерция.
- ♦ Когато уредът се намира в работен режим, достъпните повърхности може да бъдат високонагreti.

Употреба и поддръжка :

- ♦ Преди употреба развийте напълно захранващия кабел на уреда.
- ♦ Не използвайте уреда при неправилно поставени аксесоари и филтри .
- ♦ Не използвайте уреда с дефектни принадлежности. Незабавно ги заменете.
- ♦ Не използвайте уреда празен, т.е. без да е зареден.
- ♦ Не използвайте уреда при повреден бутон за вкл./изкл.
- ♦ Не движете уреда, докато работи.
- ♦ Не използвайте уреда наклонен, нито обърнат.
- ♦ Не обръщайте уреда, докато работи или е включен в електрическата мрежа.
- ♦ Не надвишавайте работният капацитет на уреда.
- ♦ Този уред е предназначен единствено за битови нужди, а не за професионална или промишлена употреба.
- ♦ Съхранявайте уреда далеч от достъпа на деца и/или хора с намалени физически, сензорни или умствени възможности, или такива без опит и познания за боравене с него.
- ♦ Поддържайте уреда в добро състояние. Проверете дали подвижните части не са разцентровани или блокирани, дали няма счупени части и други подобни неизправности, които могат да повлияят на правилното функциониране на машината.
- ♦ Използвайте този уред, както и приставките и инструментите към него като следвате тези инструкции, съобразявайки се с работните условия и престоящата за извършване дейност. Употребата на уреда за цели, различни от посочените може да доведе до опасни ситуации.
- ♦
- ♦ За натискане на продуктите в хранилището за пълнене използвайте винаги натисквачката (пресьора). В никакъв случай не правете това с пръсти или с други приспособления.

- ♦
- ♦ Уредът следва винаги да се използва под надзор.
- ♦ Никога не оставяйте включения уред без наблюдение. По този начин ще спестите енергия и ще удължите живота на ел.уреда.
- ♦ - Не използвайте уреда повече от 30 последователни минути
- ♦ Не използвайте уреда с неразмразени или съдържащи костилки продукти.
- ♦ ВНИМАНИЕ: Не използвайте уреда, ако стъклото е пукнато или счупено.

Обслужване на уреда:

- ♦ Уверете се, че поддръжката на уреда се осъществява от специализирано лице и винаги използвайте оригинални консумативи и резервни части.
- ♦ ВНИМАНИЕ: Ако апаратът не се почиства съгласно указанията, възможно е да възникне пожар.
- ♦ Неправилното използване на уреда или неспазването на инструкциите за работа е опасно, анулира гаранцията и освобождава производителя от отговорност.

Описание

- 1 Бутало
- 2 Покритие на тавичката за сок
- 3 Филтър
- 4 Корито
- 5 Дръжка
- 6 Прекъсвач
- 7 Корпус съдържащ мотора
- 8 Съд за пулпа
- 9 Контейнер за сока

В случай, че моделът апарат, с който разполагате не притежава гореописаните аксесоари, те също могат да се придобият отделно в сервизите за техническо обслужване.

Начин на употреба

Забележки преди употреба:

- ♦ Уверете се, че сте отстранили цялата опаковка от уреда.
- ♦ Преди да използвате ел. уреда за първи път, почистете всички части, които са в контакт с хранителните продукти, следвайки упътванията от раздел "Почистване".
- ♦ Някои части на уреда са леко смазани и затова е възможно слабо димене, след първото включване. Скоро след това, димът ще изчезне.

- ♦ Подгответе уреда в зависимост от функцията която желаете да използвате:

Употреба:

- ♦ Преди употреба развийте напълно захранващия кабел на уреда.
- ♦ Извадете от мястото за съхранение на кабела, нужната Ви дължина кабел.
- ♦ Нагласете филтърта в горния корпус
- ♦ Уверете се, че филтърът (3) е поставен правилно, като го натиснете надолу, докато заеме правилно положение.
- ♦ Поставете защитния капак в правилно положение, до неподвижност (2).
- ♦ Включете уреда в електрическата мрежа.
- ♦ Поставете чаша на изхода за сок на уреда.
- ♦ Поставете хранилището за пулпата(8) на съответната позиция.
- ♦ Задействайте уреда чрез селектора за скорост: I (Бавна скорост) или II (Нормална скорост)
- ♦ Препоръчва се скорост 1 най-вече за меки плодове и зеленчуци, като например дини, грозде, домати, краставици и т.н.
- ♦ Скорост 2 е идеална за останалите видове плодове и зеленчуци, като например ябълки, моркови и т.н.
- ♦ ПРЕДУПРЕЖДЕНИЕ: Ако частите на уреда не са поставени добре, същият не ще се задейства.
- ♦ Изберете желаната от Вас скорост.
- ♦ Изберете желаната от Вас скорост: I (Бавна скорост) или II (Нормална скорост)
- ♦ Препоръчва се скорост „I“ най-вече за меки плодове и зеленчуци, като например дини, грозде, домати, краставици и т.н.
- ♦ Скорост II е идеална за останалите видове плодове и зеленчуци, като например ябълки, моркови и т.н.
- ♦ Работете с продуктите, които желаете да обработите.
- ♦ Поставете предварително правилно нарязания плод или зеленчук в съответния отвор в защитния капак.
- ♦ Натискайте леко с буталото.
- ♦ Сокът и отпадъците автоматично ще излязат на различни места: Сокът излиза към резервоара за сок (9), а остатъците, към резервоара за пулпа (8).
- ♦ Не натискайте прекалено силно с натисквачката (пресьора); в противен случай може да влошите качеството на изходния продукт и дори да предизвикате спиране на филтърта.
- ♦ Не допускайте моторът да работи непрекъснато повече от 1 минута. Изключете и оставете моторът

да се изтине най-малко в продължение на 1 минута. В противен случай може да предизвикате повреда на мотора.

- ◆ Не използвайте уреда повече от 30 последователни минути. В противен случай може да предизвикате повреда на мотора.
- ◆ След приключване, оставете мотора да поработи няколко секунди, за да може сока да се изтече докрай.
- ◆ Преди да отворите сокоизстисквачката уверете се, че моторът е напълно спрял.
- ◆ Отстранете резервоара за сок (Н), и за пулпа (1) и защитния капак (2).
- ◆ Първо издърпайте филтъра (3), а по-късно, горния корпус. (4)
- ◆ За да избегнете рязкото включване на уреда, Ви препоръчваме да задействате уреда с помоща на дистанционното управление като започнете от най-ниската позиция и постепенно достигнете до желаната от вас скорост.
- ◆ С цел да избегнете прекалено грубо задействане, задействайте уреда постепенно.
- ◆ Изпразнете сока (9) от каната и го излейте в подходящ съд.
- ◆ Бележка: Ако обработвате голямо количество плодове, следва периодически да почиствате филтъра и да отстранявате остатъците от плодовата пулпа.

След приключване на работата с уреда, направете следното:

- ◆ Спрете уреда, избирайки положение 0 от ключа за управление.
- ◆ Изключете го от захранващата мрежа.
- ◆ Навийте кабела и го поставете на предназначения за целта място.
- ◆ Почистете уреда.

Хранилище за кабела

- ◆ Този електроуред разполага с хранилище на ел. кабела, намиращо се в долната част на уреда.
- ◆ Този електроуред разполага с място за съхранение на ел. кабела, което се намира в долната част на уреда.

Механизъм за автоматично изключване при прегряване:

- ◆ Уредът е снабден със защитен механизъм, предпазващ го от всякакъв вид прегряване.

- ◆ Ако уредът се изключи автоматично и не се включи повторно, извадете щепсела от ел. контакт, изчакайте около 15 минути и го включете отново. Ако и тогава не работи, обърнете се към оторизиран сервис за техническо обслужване.

Почистване

- ◆ Изключете уреда от захранващата мрежа и го оставете да се изтине, преди да започнете да го почиствате.
- ◆ Почистете уреда с влажна кърпа, напоена с няколко капки миещ препарат, след което го подсушете.
- ◆ За почистването на уреда не използвайте разтворители и препарати с киселинен или основен рН фактор, като например белина и абразивни продукти.
- ◆ Не допускайте проникването на вода през вентилационните отвори; в противен случай може да предизвикате повреда на работните части във вътрешността на уреда.
- ◆ Отстранете филтрите. Изперете ги със гореща сапунена вода или в съдомиялната машина. Поставете ги отново в правилно положение.
- ◆ Не потапяйте уреда във вода или друга течност, и не го поставяйте под течаща вода.
- ◆ По време на почистването на уреда, бъдете особено внимателни с ножчетата, защото са изключително остри.
- ◆ Препоръчително е да почиствате ел. уреда редовно и напълно да отстранявате остатъците от храна.
- ◆ Ако не поддържате уреда чист, повърхността му може да се повреди и това да съкрати безвъзвратно експлоатационния му живот, а също и да стане причина за рискова ситуация.
- ◆ Следните части могат да се мият в топла сапунена вода или в миялна машина (използвайте мека програма за миене):
 - Преса
 - Предпазен капак
 - Подвижен филтър
 - Доставка за филтъра
 - Съд за пулпа
 - Кана за сок
- ◆ Позицията на изцеждане/сушене на частите, които могат да се мият в миялната машина или в мийката трябва да осигурява лесното изтичане на водата.
- ◆ След това, подсушете добре всички части, поставете ги обратно и съхранете уреда.

Неизправности и ремонт

- ♦ В случай на неизправност, моля отнесете уреда в оторизиран сервиз за техническо обслужване. Моля не се опитвайте да разглобявате уреда или пък да го поправяте - това е опасно.

За разновидностите EU на това изделие и/или в случая, приложим за Вашата страна:

Опазване на околната среда и рециклиране на изделието.

- ♦ Материалите, от които изработена опаковката на този електроуред са включени в система за тяхното събиране, класифициране и рециклиране. Ако желаете да се освободите от тях, използвайте обществените контейнери, пригодени за всеки отделен вид материал.
- ♦ В изделието отсъстват концентрации на вещества, които могат да бъдат определени като вредни за околната среда.



Този символ означава, че ако желаете да се освободите от уреда след изтичане на експлоатационният му живот трябва да го предадете по подходящ начин на фирма за преработка на отпадъци, оторизирана за разделно събиране на относно отпадъци от електрическо и електронно оборудване (ОЕЕО).



Този символ означава, че повърхността може да се загрее по време на използването на уреда.

Настоящият уред изпълнява Директива 2014/35/UE за ниски напрежения, Директива 2014/30/UE за електромагнетично съответствие и с Директива 2011/65/EU за ограниченията при употреба на някои определени опасни вещества в електрически и електронни апарати и с Директива 2009/125/CE за изискванията за екологичен дизайн, приложими към изделия, свързани с енергия.

ГАРАНЦИЯ И ТЕХНИЧЕСКА ПОМОЩ

Настоящият продукт има законна гаранция, в съответствие с действащото законодателство. За да упражните правата си на потребител следва да се насочите към някой от нашите оторизирани сервизи. Най-близкия до Вас сервиз можете да откриете на

следния линк: <http://www.2helpu.com/>.

Също така, можете да потърсите информация, свързвайки се с нас (вижте на последната страница на наръчника).

Наръчника с указания и неговите осъвременявания можете да свалите на следния <http://www.2helpu.com/>

België/Belgique	Stanley Black & Decker Belgium BVBA Egide Walschaertsstraat 16 2800 Mechelen	www.blackanddecker.be enduser.BE@SBDinc.com Tel - NL. +32 15 47 37 65 Tel – FR. +32 15 47 37 66
Bulgaria	Stanley Black&Decker Polska Bucharest Branch Phoenicia Business Center Turturelelor Street, No 11A, 6th Floor,Module 15, 3rd District. Bucharest (Romania)	office.bucharest@sbdinc.com Tel. +4021.320.61.04.
Česká Republika	Stanley Black & Decker Czech Republic s.r.o. Chodov Türkova 2319/5b 149 00 Praha 4 Česká Republika	www.blackanddecker.cz recepce@blackanddecker.cz Tel: 261 009 782
Danmark	Stanley Black & Decker Denmark Roskildevej 22 2620 Albertslund	www.blackanddecker.dk kundeservice.dk@sbdinc.com Tel. 70 20 15 10 Fax. 70 22 49 10
Deutschland	Stanley Black & Decker Deutschland GmbH Black & Decker Str. 40, D - 65510 Idstein	www.blackanddecker.de infobfge@sbdinc.com Tel. 06126 21-0 Fax 06126 21-2980
Ελλάδα	Black & Decker ΕΛΛΑΣ ΕΔΡΑ-ΓΡΑΦΕΙΑ : Σπράβωνος 7 & Λ. Βουλιαγμένης. 166 74 Γλυφάδα - Αθήνα SERVICE : Ημερος Τόπος 2 (Χάνι Αδάμ) - 193 00 Ασπρόπυργος	www.blackanddecker.gr Greece.Service@sbdinc.com Τηλ: 00302108981616 Φαξ: 00302108983570
España	Engineering and Technology for Life Spain Avenida Barcelona s/n 25790 Oliana (Lleida)	www.blackanddecker.es service.spain@etforlife.com
France	Engineering and Technology for Life France 6 rue de l'Industrie Z.I des Sablons 89100 Sens	www.blackanddecker.fr service.france@etforlife.com
Helvetia	ROFO AG Gewerbezone Seeblick 3213 Kleinbösingen	www.blackanddecker.ch service@rofoag.ch Tel. 026 674 93 93 Fax 026 674 93 94
Hungary	Stanley Black & Decker Hungary Kft. Meszaros u. 58/B 1016 Budapest (Hungary)	www.blackanddecker.hu Tel: 1.6 225-1661 / 62
Italia	Stanley Black & Decker Italia Via Energypark 6 c/o Energypark Building 3 sud 20871 Vimercate (MB)	www.blackanddecker.it service.italia@blackdecker.com Tel. 800-213935 Fax 039-9590313
Nederland	Stanley Black & Decker Netherlands BV Holtum Noordweg 35 6121 RE BORN Postbus 83. 6120 AB BORN	www.blackanddecker.nl enduser.NL@SBDinc.com Tel. +31 164 283 065 Fax +31 164 283 200
Norge	Stanley Black & Decker Norway AS Gullhaugveien 11, 0484 Oslo PB 4613, Nydalen, 0405 Oslo	www.blackanddecker.no kundeservice.no@sbdinc.com Tlf. 22 90 99 10 Fax 45 25 08 00

Österreich	Stanley Black & Decker Austria GmbH Oberlaaerstraße 248, A-1230 Wien	www.blackanddecker.at service.austria@sbdinc.com Tel. 01 66116-0 Fax 01 66116-614
Polska	Stanley Black & Decker Polska SP.z.o.o ul. Postepu 21D 02-676 Warszawa Polska	www.blackanddecker.pl reception.warsaw@sbdinc.com Tel: 22 4642700
Portugal	Engineering and Technology for Life Portugal Avenida Rainha D. Amélia, n°12-B 1600-677 Lisboa	www.blackanddecker.pt service.portugal@etforlife.com
Romania	Stanley Black&Decker Polska Bucharest Branch Phoenicia Business Center Turturelelor Street, No 11A, 6th Floor,Module 15, 3rd District. Bucharest (Romania)	office.bucharest@sbdinc.com Tel. +4021.320.61.04.
Slovenija	G-M&M, proizvodnja in marketing, d.o.o. Brvace 11 1290 Grosuplje (Slovenija)	G-M&M, proizvodnja in marketing, d.o.o. Brvace 11 1290 Grosuplje (Slovenija)
Suomi	Stanley Black & Decker Finland Oy Kumpulantie 13B, 00520 Helsinki PL 47, 00521 Helsinki	www.blackanddecker.fi asiakaspalvelu.fi@sbdinc.com Puh. 010 400 43 33 Faksi 0800 411 340
Sverige	Stanley Black & Decker Sweden AB Flöjelbergsgatan 1c, 431 35 Mölndal Box 94, 431 22 Mölndal	www.blackanddecker.se kundservice.se@sbdinc.com Tel. 031-68 60 60 Fax 031-68 60 80
United Kingdom & Republic Of Ireland	"Black & Decker Slough, Berkshire SL1 3YD 210 Bath Road "	www.blackanddecker.co.uk emeaservice@sbdinc.com Tel. 01753 511234