



IDEAL FOR
XL & TOUCH
SCREENS

BT8564

UNIVERSAL XL FLAT SCREEN TROLLEY

As part of B-Tech's Designer Trolley range, the BT8564 is a high-end mounting solution which adds a touch of aesthetic class to any mobile display requirement. Available in a choice of black, silver and white, with contrasting dual colour accents and a triangular shaped column, the BT8564 has a modern, contemporary look and is universally suitable for mounting screens in both landscape and portrait orientations. Levelling screws allow post-installation screen levelling and integrated cable management keeps finished installations looking neat and tidy. Non-marking, braked castors make repositioning quick and easy without marking or scuffing floor surfaces and AV components such as shelves can be fitted directly to the column to accessorise the install.

SPECIFICATION	
Recommended screen size	65" - 120"
Max load	130kg
VESA® & non-VESA fixings	up to 1000 x 600mm
Trolley dimensions	H:1932* W:1697 D:991mm
Colour options	Black, Black & Silver or White

**Measurement from floor to top of vertical columns (including end cap)*

FEATURES

- Universal design suitable for displaying XL screens over 65"
- Non-marking locking / braked castors included
- Collar compatible accessories such as shelves (available separately) can be fitted directly to the columns
- Interface arms include levelling screws to adjust the height of the screen
- Integrated cable management for a smart installation
- Safety screws help prevent unauthorised removal of screen
- Dual colour options available for a modern, contemporary look
- Simple 'hook-on' screen installation with all mounting hardware included



120"
3050mm

VESA
1000
x
600

130KG



Dual colour options available for a modern contemporary look



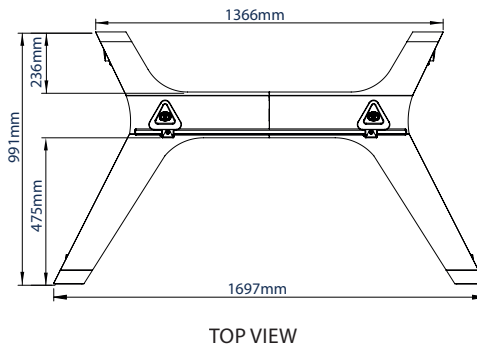
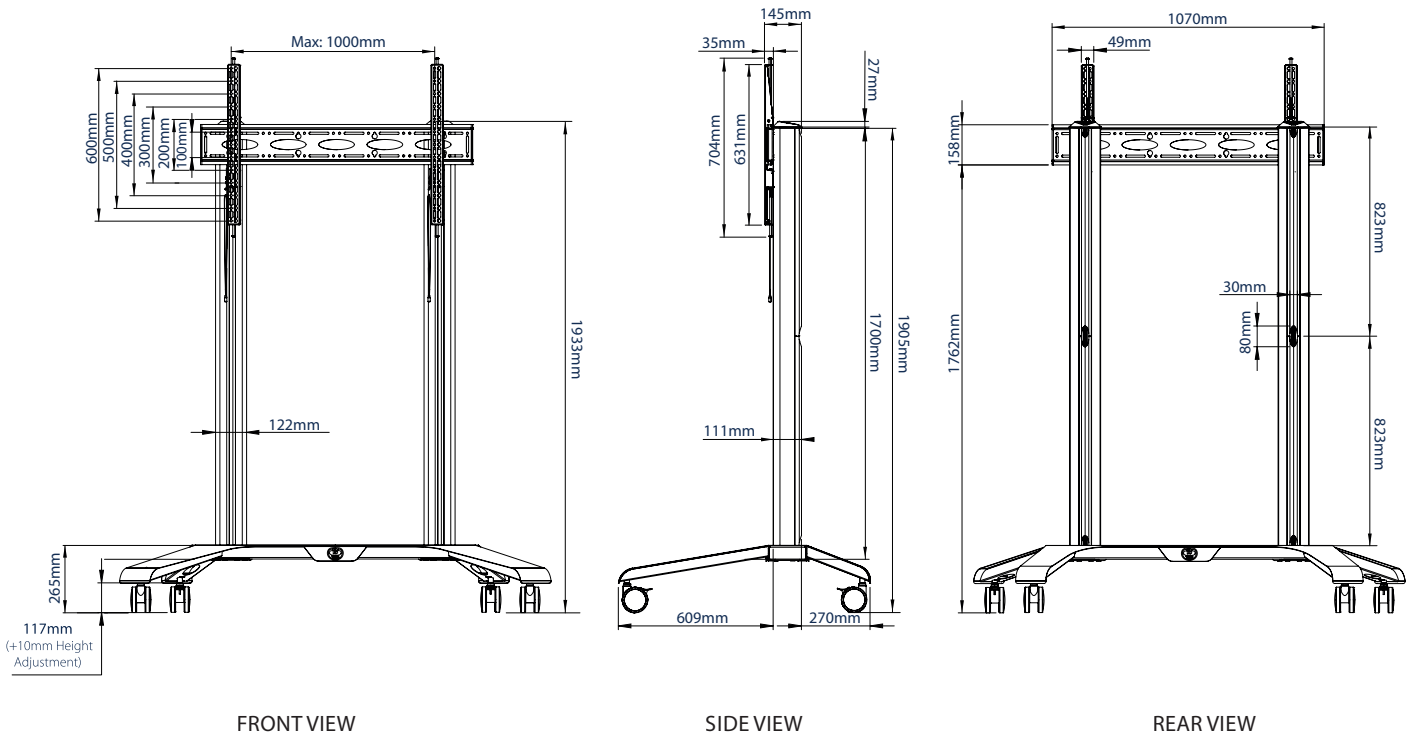
Non-marking locking / braked castors included



Interface arms include levelling screws to adjust the height of the screen



AV accessory shelves can be fitted directly to the columns



PACKING INFORMATION

PLEASE NOTE, THIS IS A 3 BOX ITEM

COLOUR:	ORDER REF:	EAN CODE:	MASTER CARTON WEIGHT:	MASTER CARTON CUBE:
Black	BT8564/BB	5019318301810	35.8kg / 14kg / 10kg	0.252cbm / 0.111cbm / 0.011cbm
Black & Silver	BT8564/BS	5019318301827	35.8kg / 14kg / 10kg	0.252cbm / 0.111cbm / 0.011cbm
White	BT8564/WW	5019318301834	35.8kg / 14kg / 10kg	0.252cbm / 0.111cbm / 0.011cbm

ACCESSORIES AND RELATED PRODUCTS

BT7032 / BT7033



AV Accessory Shelves can be fitted directly to the vertical column

BT7863



Video Conferencing Camera Shelf can be fitted directly to the vertical column

BT7882



AV Cradle to house AV and IT hardware and cabling

BT8565



Universal Extra Large Flat Screen Trolley with Adjustable Height

© 2016 B-Tech Professional Design & Manufacturing Ltd. All rights reserved.
 The information in this specification is for reference only. It is not intended to be used as a substitute for the manufacturer's instructions. B-Tech Professional Design & Manufacturing Ltd. reserves the right to change the technical or physical specifications without notice. This is not intended to be used as a substitute for the manufacturer's instructions. B-Tech Professional Design & Manufacturing Ltd. is not responsible for any damage or injury caused by improper or misuse of the product. Any reproduction or transmission or replication of any part of this specification is strictly prohibited unless prior written permission has been granted by B-Tech Professional Design & Manufacturing Ltd. (B-Tech).

SS-V1-BT8564-111219