

BXCO850E

www.blackanddecker.eu

EN

FR

DE

IT

ES

PT

NL

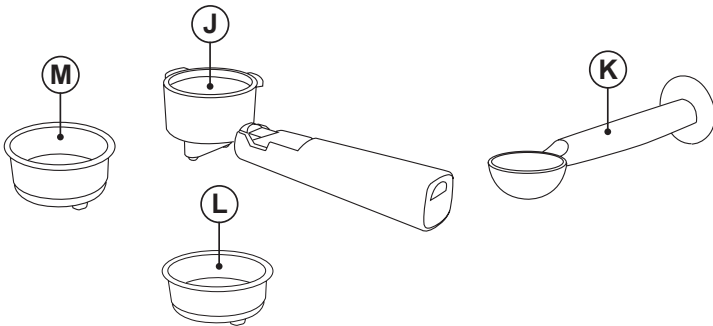
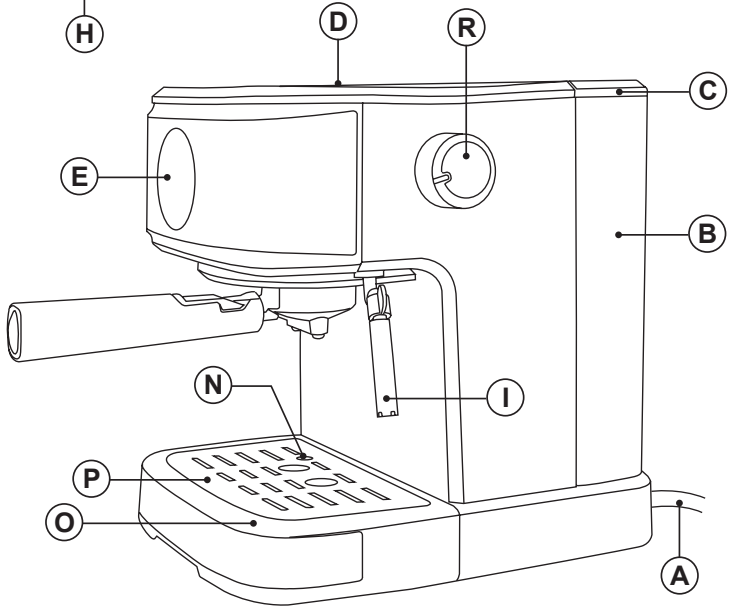
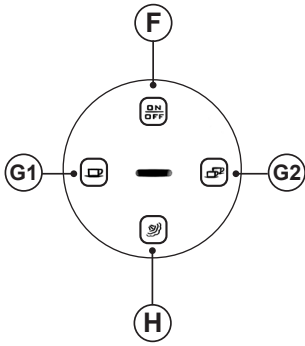
PL

EL

RU

RO

BG



COFFEEMAKER BXCO850E

Dear customer,

Many thanks for choosing to purchase a BLACK+DECKER brand product.

Thanks to its technology, design and operation and the fact that it exceeds the strictest quality standards, a fully satisfactory use and long product life can be assured.

SAFETY ADVICE AND WARNINGS

- ◆ Read these instructions carefully before switching on the appliance and keep them for future reference. Failure to follow and observe these instructions could lead to an accident.
- ◆ This appliance is only for domestic use, not for industrial or professional use. It is not intended to be used by guests in hospitality environments such as bed and breakfast, hotels, motels, and other types of residential environments, even in farm houses, areas of the kitchen staff in shops, offices and other work environments.
- ◆ Clean all the parts of the product that will be in contact with food, as indicated in the cleaning section, before use.
- ◆ This appliance can be used by children aged from 8 years and above and persons with reduced physical, sensory or mental capabilities or lack of experience and knowledge if they have been given supervision or instruction concerning use of appliance in a safe way and understand the hazards involved.
- ◆ Cleaning and user maintenance shall not be made by children unless they are older than 8 and supervised.
- ◆ Keep the appliance and its cord out of reach of children aged less than 8 years.
- ◆ This appliance is not a toy. Children should be supervised to ensure that they do not play with the appliance.
- ◆ Never submerge the appliance in water or any other liquid or place it under running water.
- ◆ If the supply cord is damaged, it must be replaced by the manufacturer, its service agent or similar qualified person in order to avoid a hazard.
- ◆ **CAUTION:** Heating element surface is subjected to residual heat after use.
- ◆ Ensure that the voltage indicated on the rating label matches the mains voltage before plugging in the appliance.
- ◆ Connect the appliance to a base with an earth socket withstanding a minimum of 10 amperes.
- ◆ The appliance's plug must fit into the mains socket properly. Do not alter the plug. Do not use plug adaptors.
- ◆ Do not force the power cord. Never use the power cord to lift up, carry or unplug the appliance.
- ◆ Do not wrap the power cord around the appliance.
- ◆ Do not clip or crease the power cord.

- ◆ Do not allow the power cord to come into contact with the appliance's hot surfaces.
- ◆ Check the state of the power cord. Damaged or tangled cables increase the risk of electric shock.
- ◆ Do not touch the plug with wet hands.
- ◆ Do not use the appliance if the cable or plug is damaged.
- ◆ If any of the appliance casings breaks, immediately disconnect the appliance from the mains to prevent the possibility of an electric shock.
- ◆ Do not use the appliance if it has fallen on the floor, if there are visible signs of damage or if it has a leak.
- ◆ Do not place the appliance on hot surfaces, such as cooking plates, gas burners, ovens or similar.
- ◆ The appliance must be used and placed on a flat, stable surface.
- ◆ The appliance is not suitable for outdoor use.
- ◆ Do not use the appliance in the case of persons insensitive to heat (the appliance has heated surfaces).
- ◆ Do not touch the heated parts of the appliance, as it may cause serious burns.

USE AND CARE:

- ◆ Do not use the appliance if its accessories are not properly fitted.
- ◆ Do not switch the appliance on without water.
- ◆ Do not use the appliance if the on/off switch does not work.
- ◆ Do not move the appliance while in use.
- ◆ Respect the MAX and MIN levels.
- ◆ Disconnect the appliance from the mains when not in use and before undertaking any cleaning task.
- ◆ Unplug the appliance from the mains before refilling the water tank.
- ◆ Store this appliance out of reach of children and/or persons with reduced physical, sensory or mental capabilities or lack of experience or knowledge.
- ◆ Do not store the appliance if it is still hot.
- ◆ Only use water with the appliance.
- ◆ The use of bottled mineral water adapted for human consumption is recommended.
- ◆ Never leave the appliance connected and unattended if it is not in use. This saves energy and prolongs the life of the appliance.
- ◆ Do not remove the filter holder when coffee is being made, as at that time it is under pressure.

SERVICE

- ◆ Any misuse or failure to follow the instructions for use

renders the guarantee and the manufacturer's liability null and void.

DESCRIPTION

A	Supply cable
B	Water tank
C	Water Tank Lid
D	Hot plate for warming cups
E	Touch control panel
F	ON/OFF Button
G1	One Coffee Button
G2	Two Coffee Button
H	Steam heating Button
I	Steamer pipe
J	Filter holder
K	Measuring spoon
L	Ground coffee filter (1 cup)
M	Ground coffee filter (2 cups)
N	Drip tray level
O	Drip tray
P	Tray grill
R	Steam knob

INSTRUCTIONS FOR USE

BEFORE USE:

- ◆ Make sure that all the product's packaging has been removed.
- ◆ Before using this product for the first time, it is advisable to test it only with water.
- ◆ Before using the product for the first time, clean the parts that will come into contact with food in the manner described in the cleaning section.
- ◆ Before connecting the machine, check that the steam control (R) is closed by turning clockwise.

Priming the circuit:

- ◆ This simple operation ensures optimum dispensing and must be carried out:
- ◆ When first starting:
- ◆ When the machine has been out of use for a long time (1 or 2 weeks)
- ◆ After making steam
- ◆ When the tank has run out of water.
- ◆ Fill the receptacle taking care to observe the MAX level

- ◆ Connect the appliance to the mains.
- ◆ Press the on/off button (F) Power indicator is illuminated.
- ◆ The indicators of 1 cup of coffee, 2 cup of coffee and steam flash, the machine begins heating, after all indicators are solidly on, the preheating is completed
- ◆ Without fitting the filter holder (or with the filter holder fitted, but without coffee), place a recipient under the steam pipe (I)
- ◆ Open the steam knob (R) by turning counterclockwise
- ◆ Press the G2 Coffee Button.
- ◆ Water will exit through the steam pipe. Wait until approximately one cupful has exited
- ◆ First time you will use the machine, there is no water on the boiler, so it could be possible you need to repeat this operation before getting water
- ◆ To finish serving, as quantity of liquid is programmed, it will stop automatically, but you always can stop when desired. To do it, push again over coffee button to stop and close the steam knob (R) by turning clockwise
- ◆ This will complete the priming operation.

Filling with water:

- ◆ The tank must be filled with water before turning the appliance on.
- ◆ Remove the water tank.
- ◆ Fill the tank taking care to observe the MAX level
- ◆ Replace the tank in its housing, ensuring that it is well fitted.

Filling of coffee:

- ◆ Remove the filter holder.
- ◆ Position the ground chosen coffee filter (L or M) in the filter holder
- ◆ We recommend using natural toast coffee, as using roasted coffee may affect the operation of the machine.
- ◆ Fill the removable filter with ground coffee (6 to 7 gr per cup to be prepared).
- ◆ If you wish to make 1 coffee, use 1 filter coffee (L), fill the ladle (1 spoonful) and take the capacity of the measuring spoon as the measure for one coffee.
- ◆ For 2 coffees, use 2 cups filter (M), and put in 2 spoonfuls.
- ◆ Next lightly press down the ground coffee with the back of the spoon.
- ◆ Fit the filter holder in the appliance once more.
- ◆ Position the filter holder in the coffee assembly by inserting the assembly from below to inserting position and turning it from left to right until it locks.

USE

Making Espresso

- ◆ Before connecting the machine, check that steam control (R) is closed, turning clockwise.
- ◆ Connect the appliance to the mains.
- ◆ Turn the appliance ON pushing the on/off button(F).
- ◆ The indicators of 1 cup of coffee, 2 cup of coffee and steam flash, the machine begins preheating. After all indicators are solidly on. It means right temperature is reached.
- ◆ Place one or two preheated cups at the filter holder outlet.
- ◆ Press the coffee Button (G1 or G2). The coffee infusion will begin to exit.
- ◆ The coffee will stop automatically when reached the standard quantity.

To Customize the volume of coffee

- ◆ Press and hold 1cup button for 3 seconds, 1cup button flashes, entering setting mode, press 1cup button again to start dispensing coffee, when the specified time is reached, press 1 cup button to complete setting which can be memorized by the unit. You can do same for 2 cups button.
- ◆ Once serving has finished, wait a few seconds and remove the cups with the coffee.
- ◆ Remove the filter holder and empty the grounds from it.
- ◆ Wash the filter holder with running water and dry it well.
- ◆ Check that the removable filter is perfectly fitted into the filter holder.
- ◆ Fit the filter holder in the appliance once more.

Getting hot water:

- ◆ Put the device in ON situation, pressing the button ON/OFF (F).
- ◆ The indicators of 1 cup of coffee, 2 cup of coffee and steam flash, the machine begins preheating. After all indicators are solidly on, the preheating is completed. This situation indicates that the water has reached the temperature.
- ◆ Place a container under the nozzle (I). Open the steam control (R), by turning counterclockwise.
- ◆ Press one of coffee outlet button (G1G2).
- ◆ Please refer to the operation described in the section of "Making Espresso" when need to adjust the working time for making hot water.
- ◆ The hot water began to come out of the vaporizer.
- ◆ Once obtained the desired amount of hot water, press the coffee outlet button (G1 or G2) again, which stops

the pump.

- ◆ Close The steam knob (R) by turning, clockwise.

Obtaining steam:

- ◆ The Steam is used to foam milk for cappuccino, and also to heat other liquids.
- ◆ Turn the appliance on using the on/off button.
- ◆ The indicators of 1cup coffee button, 2cup coffee button and steam button flash, the machine begins preheating, after all indicators are solidly on, the right temperature is reached.
- ◆ For Steam, press the Steam heating button (H), with Steam icon flashing, and continue heating until the steam temperature has been reached.
- ◆ The Steam light will illuminate steady, indicating that the water has reached the necessary temperature for generating steam.
- ◆ Note: During operation, the indicator in the steam selector will cycle on and off to maintain to desired temperature.
- ◆ Place a recipient under the steam tube.
- ◆ Open Steam knob (R) anticlockwise
- ◆ Steam only will begin to exit.
- ◆ When you have enough, close the steam knob (R) by turning clockwise and remove the recipient.

IMPORTANT

- ◆ When you finish doing steam, you must replace the water used to make steam and at the same time, recover the temperature (lower) to make coffee.
- ◆ To do this, with the steam knob open, pushing previously over Steam Icon to stop heating, push coffee / water button (G1 or G2), which will activate the pump.
- ◆ Put a container under the tube
- ◆ When water starts to flow through the steam pipe, it means that it has recovered the coffee temperature and the boiler has been filled. Now you can close Steam knob and to push coffee button (G) to Stop position

Autooff feature:

- ◆ The BLACK+DECKER machines are designed to save energy
To that end, after some minutes from the last operation, the unit switches to energy saving mode
To return to normal operation you should just Switch ON the connect button (F)

Once you have finished using the appliance:

- ◆ Turn the appliance off, using the on/off switch (F) for a few seconds
- ◆ Unplug the appliance to the mains.
- ◆ Remove the water from the water tank.
- ◆ Clean the appliance

CLEANING

Basic cleaning

- ◆ Disconnect the appliance from the mains and let it cool before undertaking any cleaning task.
- ◆ Clean the equipment with a damp cloth with a few drops of washingup liquid and then dry.
- ◆ Do not use solvents, or products with an acid or base pH such as bleach, or abrasive products, for cleaning the appliance.
- ◆ Do not let water or any other liquid get into the air vents to avoid damage to the inner parts of the appliance.
- ◆ No parts of this appliance are suitable for cleaning in the dishwasher.
- ◆ After washing, dry all the parts before fitting them together and storing.

Cleaning the Frothing Wand

- ◆ CAUTION! The frothing wand, and frothing sleeve may be VERY HOT.
- ◆ It is recommended to purge and wipe the frothing wand after steaming milk to prevent deposits of dirt and before turning off the machine.
- ◆ To do this, pull the frothing sleeve down and clean under warm running water.
- ◆ Fill a cup with a bit of water, immerse the frothing wand into the water.
- ◆ Drain hot water through the pipe, following the instructions "Obtaining hot water".
- ◆ Use a cloth to dry the frothing wand and replace the frothing sleeve.
- ◆ In case no steam comes out of the frothing wand, hardened milk blocks its path. Carefully use a needle to loosen the milk residue from the opening of the frothing tip to remove any blockage,
- ◆ Once clean, rinse with running water from the tap and reassemble it. Then steam again.

How to deal with lime scale incrustations:

- ◆ For the appliance to work correctly it should be kept free of lime scale or magnesium incrustations caused by the use of hard water.
- ◆ To prevent this kind of problem, we recommend the use of water with low lime or magnesium mineralisation.
- ◆ However, if it is not possible to use the kind of water recommended above, you should periodically remove the lime scale from the appliance:
- ◆ Every 6 weeks if the water is "very hard".
- ◆ Every 12 weeks if the water is "hard".
- ◆ To do so, we recommend the use of a specific Decal product for this kind of machine which can be found in

specialised shops and authorised technical services.

- ◆ Homemade solutions are not recommended in the descaling of this appliance, such as the use of vinegar.

ANOMALIES AND REPAIR

- ◆ Take the appliance to an authorised technical support service if problems arise. Do not try to dismantle or repair without assistance, as this may be dangerous.
- ◆ If you detect any anomalies, refer to the following table:

Anomaly	Possible cause	Solutions
Water flows out of the side of the holder	The filterholder is not fitted correctly. The Edge of the sieve is covered coffee. The brewing set is dirty.	see Section "filling coffee". Clean the sieve around the edge and clean the brewing of coffee set Clean With a damp cloth.
No coffee comes out	There is no water. The water tank is not properly placed. The filter holes are clogged, the coffee is ground too fine or has been pressed too much .	Fill the water tank. Make sure the tank is properly seated. Empty the filter basket and clean with water. Clean the brewing unit with a damp cloth. Fill the sieve again and press the coffee slightly.
The coffee comes out slowly or drop by drop	The coffee grinding is too fine or too pressed.	Make sure grinding is OK and it's not too pressed.
The coffee comes without cream	The used Coffee is out of date. The Coffee has not been pressed enough. The Ground coffee is too coarse.	Use Fresh coffee and once opened store in an airtight container. Press slightly the coffee. Grind finer the coffee.
The coffee comes out too fast	The ground coffee is too coarse. There is not enough coffee in the sieve. The Coffee has not been pressed enough.	Grind coffee finer. Ensure that it's the right amount of coffee in the sieve. Press slightly the coffee.
No steam escapes from the evaporator tube	The Tube is clogged.	Clean the steam tube with a damp cloth to remove any traces of milk have dried and unblock holes using a needle. Press the corresponding switch and remove "hot water" until it goes out continuously.

For EU product versions and/or in the case that it is requested in your country:

Ecology and recyclability of the product

- ◆ The materials of which the packaging of this appliance consists are included in a collection, classification and recycling system. Should you wish to dispose of them, use the appropriate public containers for each type of material.
- ◆ The product does not contain concentrations of substances that could be considered harmful to the environment.



This symbol means that in case you wish to dispose of the product once its working life has ended, take it to an authorised waste agent for the selective collection of waste electrical and electronic equipment (WEEE).

This appliance complies with Directive 2014/35/EU on Low Voltage, Directive 2014/30/EU on Electromagnetic Compatibility, Directive 2011/65/EU on the restrictions of the use of certain hazardous substances in electrical and electronic equipment and Directive 2009/125/EC on the ecodesign requirements for energyrelated products.

WARRANTY AND TECHNICAL ASSISTANCE

This product enjoys the recognition and protection of the legal guarantee in accordance with current legislation. To enforce your rights or interests you must go to any of our official technical assistance services.

You can find the closest one by accessing the following web link: <http://www.2helpu.com/>.

You can also request related information, by contacting us (see the last page of the manual).

You can download this instruction manual and its updates at <http://www.2helpu.com/>.

CAFETIÈRE BXC0850E

Cher Client,

Nous vous remercions d'avoir acheté un produit BLACK+DECKER.

Sa technologie, son design et sa fonctionnalité, outre sa parfaite conformité aux normes de qualité les plus strictes, vous permettront d'en tirer une longue et durable satisfaction.

CONSEILS ET MESURES DE SÉCURITÉ

- ◆ Lire attentivement cette notice d'instructions avant de mettre l'appareil en marche, et la conserver pour la consulter ultérieurement. Le non-respect de ces instructions peut être source d'accident.
- ◆ Cet appareil est uniquement destiné à un usage domestique et non professionnel ou industriel.
- ◆ Cet appareil a été exclusivement conçu dans le cadre d'un usage privé et non pas pour une utilisation professionnelle ou industrielle. Il n'a pas été conçu pour être utilisé par les hôtes des établissements de logement tels que « bed and breakfasts », hôtels, motels et tout autre logement résidentiel, y compris les gîtes ruraux ou les aires de repos pour le personnel employé aux magasins, bureaux et autres milieux de travail.
- ◆ Avant la première utilisation, laver les parties en contact avec les aliments comme indiqué à la section nettoyage.
- ◆ Cet appareil peut être utilisé par des personnes non familiarisées avec son fonctionnement, des personnes handicapées ou des enfants âgés de plus de 8 ans, et ce, sous la surveillance d'une personne responsable ou après avoir reçu la formation nécessaire sur le fonctionnement sûr de l'appareil et en comprenant les dangers qu'il comporte.
- ◆ Les enfants ne devront pas réaliser le nettoyage ou la maintenance de l'appareil à moins qu'ils soient âgés de plus de 8 ans et sous la supervision d'un adulte.
- ◆ Conserver l'appareil hors de portée des enfants âgés de moins de 8 ans.
- ◆ Cet appareil n'est pas un jouet. Les enfants doivent être surveillés pour s'assurer qu'ils ne jouent pas avec l'appareil.
- ◆ Ne pas immerger l'appareil dans l'eau ou tout autre liquide, ni le passer sous un robinet.
- ◆ Si le cordon d'alimentation est endommagé, il devra être remplacé par le fabricant, par un service après-vente ou par tout professionnel agréé afin d'écartier tout danger.
- ◆ **PRÉCAUTION:** La surface de l'élément chauffant reste chaude après utilisation.

- ◆ Avant de brancher l'appareil au secteur, s'assurer que la tension indiquée sur la plaque signalétique correspond à celle du secteur.
- ◆ Raccorder l'appareil à une prise pourvue d'une fiche de terre et supportant au moins 10 ampères.
- ◆ La prise de courant de l'appareil doit coïncider avec la base de la prise de courant. Ne jamais modifier la prise de courant. Ne pas utiliser d'adaptateur de prise de courant.
- ◆ Ne pas forcer le câble électrique de connexion. Ne jamais utiliser le câble électrique pour lever, transporter ou débrancher l'appareil.
- ◆ Ne pas enrouler le câble électrique de connexion autour de l'appareil.
- ◆ Éviter que le câble électrique de connexion ne se coince ou ne s'emmêle.
- ◆ Ne pas laisser le cordon de connexion entrer en contact avec les surfaces chaudes de l'appareil.
- ◆ Vérifier l'état du câble électrique de connexion. Les câbles endommagés ou emmêlés augmentent le risque de choc électrique.
- ◆ Ne pas toucher la prise de raccordement avec les mains mouillées.
- ◆ Ne pas utiliser l'appareil si son câble électrique ou sa prise est endommagé.
- ◆ Si une des enveloppes protectrices de l'appareil se rompt, débrancher immédiatement l'appareil du secteur pour éviter tout choc électrique.
- ◆ Ne pas utiliser l'appareil s'il est tombé, s'il y a des signes visibles de dommages ou en cas de fuite.
- ◆ Ne pas placer l'appareil sur des surfaces chaudes, plaques de cuisson, cuisinières à gaz, fours ou similaires.
- ◆ L'appareil doit être utilisé et placé sur une surface plane et stable.
- ◆ Cet appareil n'est pas adéquat pour un usage à l'extérieur.
- ◆ Les personnes insensibles à la chaleur doivent éviter d'utiliser cet appareil (puisqu'il présente des surfaces chauffantes).
- ◆ Éviter de toucher les parties chauffantes de l'appareil, vous pourriez gravement vous brûler.

UTILISATION ET PRÉCAUTIONS :

- ◆ Ne pas utiliser l'appareil si ses accessoires ne sont pas dûment fixés.
- ◆ Ne pas mettre l'appareil en marche en absence d'eau.

- ◆ Ne pas utiliser l'appareil si son dispositif de mise en marche/arrêt ne fonctionne pas.
- ◆ Ne pas déplacer l'appareil en cours de fonctionnement
- ◆ Respecter les niveaux MAXIMUM et MINIMUM.
- ◆ Débrancher l'appareil du secteur quand il n'est pas utilisé et avant de procéder à toute opération de nettoyage.
- ◆ Débrancher l'appareil du réseau électrique avant de remplir le réservoir d'eau.
- ◆ Conservez cet appareil hors de portée des enfants ou des personnes avec capacités physiques, sensorielles ou mentales réduites ou présentant un manque d'expérience et de connaissances
- ◆ Ne pas garder l'appareil s'il est encore chaud.
- ◆ N'utiliser l'appareil qu'avec de l'eau.
- ◆ Il est recommandé d'utiliser de l'eau minérale en bouteille propre à la consommation.
- ◆ Ne jamais laisser l'appareil sans surveillance lorsqu'il est branché. Par la même occasion, vous réduirez sa consommation d'énergie et allongerez la durée de vie de l'appareil.
- ◆ Ne pas sortir le porte-filtre lorsque vous faites le café, car il se trouvera alors sous pression.

GARANTIE

- ◆ Toute utilisation inappropriée ou non conforme aux instructions d'utilisation annule la garantie et la responsabilité du fabricant.

DESCRIPTION

- A Cordon d'alimentation
- B Réservoir d'eau
- C Couvercle du réservoir d'eau
- D Surface chauffe tasses
- E Panneau de commande tactile
- F Interrupteur marche/arrêt
- G1 Bouton sortie un café
- G2 Bouton sortie deux cafés
- H Bouton chauffage vapeur
- I Tube vaporisateur
- J Porte filtre
- K Cuillère doseuse
- L Filtre pour café moulu (1 tasse)
- M Filtre pour café moulu (2 tasses)
- N Niveau plateau ramasse-gouttes
- O Plateau ramasse-gouttes

- P Grille plateau
R Commande vapeur

MODE D'EMPLOI

CONSIGNES PRÉALABLES :

- ◆ Vérifier d'avoir retiré l'intégralité du matériau d'emballage du produit.
- ◆ Lors de la première utilisation, il est conseillé faire fonctionner l'appareil uniquement avec de l'eau.
- ◆ Avant la première utilisation, laver les parties en contact avec les aliments comme indiqué à la section nettoyage.
- ◆ Avant de brancher la machine, vérifier que la commande vapeur (R) soit fermée, en tournant dans le sens horaire.

Amorçage du circuit:

- ◆ Cette simple opération assure un fonctionnement optimal et doit être réalisée.
- ◆ Lors de la première mise en marche.
- ◆ Lorsque l'appareil ne s'utilise pas durant une longue période (1 ou 2 semaines)
- ◆ Après avoir fait de la vapeur
- ◆ Lorsque le réservoir sera vide.
- ◆ Remplir le réservoir en respectant le niveau « MAX »
- ◆ Brancher l'appareil au secteur.
- ◆ Appuyer sur le bouton marche/arrêt (F). Le voyant (ON/OFF) s'allume.
- ◆ Les voyants du bouton pour 1 tasse de café, du bouton pour 2 tasses de café et du bouton de vapeur clignoteront. La machine commence à chauffer, jusqu'à ce que tous les voyants restent allumés. Le préchauffage est terminé.
- ◆ Sans mettre le porte-filtre (ou avec le porte-filtre en place, mais sans café), placer un récipient en sortie du tuyau de vapeur (I).
- ◆ Ouvrez la commande de la vapeur(R), en tournant dans le sens contraire des aiguilles d'une montre.
- ◆ Appuyer sur le bouton café/eau (G2).
- ◆ De l'eau sortira du tube vaporisateur. Attendre qu'il sorte environ une quantité équivalente à une tasse.
- ◆ Lors de la première utilisation, il n'y a pas d'eau dans le réservoir. Il est donc possible qu'il faille répéter cette opération afin d'obtenir de l'eau.
- ◆ Pour finir, comme la quantité de liquide a été programmée, la machine s'arrêtera automatiquement, mais vous pouvez aussi l'arrêter à tout moment. Pour cela appuyer de nouveau sur le bouton café pour l'arrêter et fermer la commande de la vapeur (R) en tournant dans le sens horaire.

- ◆ L'opération d'amorçage est terminée.

Remplissage d'eau :

- ◆ Il est indispensable de remplir le réservoir d'eau avant de mettre en marche l'appareil.
- ◆ Retirer le réservoir d'eau.
- ◆ Remplir le réservoir avec une quantité d'eau froide respectant le niveau MAX et MIN
- ◆ Remettre le réservoir dans son logement, en s'assurant de bien le fixer.

REPLISSAGE DE CAFÉ

- ◆ Retirer le porte filtres.
- ◆ Introduire le filtre pour café moulu choisi (L ou M) dans le porte filtre.
- ◆ Nous recommandons d'utiliser du café de torréfaction naturelle. L'usage du café torréfié risque d'affecter le bon fonctionnement de la machine.
- ◆ Remplir de café moulu le filtre extractible (compter 6 à 7 g de café moulu par tasse de café à préparer).
- ◆ Pour 1 café, utiliser le filtre à 1 café et le remplir (1 cuillère), la capacité de la cuillère de dosage correspond à la mesure pour un café.
- ◆ Pour 2 cafés, utiliser le filtre à 2 cafés et mettre 2 cuillères de café.
- ◆ Puis, presser légèrement le café moulu à l'aide de la partie postérieure de la cuillère.
- ◆ Accoupler de nouveau le porte-filtre à l'appareil.
- ◆ Placer le porte-filtre sur la machine à café en l'introduisant depuis le bas de la machine dans la position d'insertion (Cadenas ouvert) et le tourner dans le sens antihoraire jusqu'à sa position de blocage.

Utilisation :

Faire un Espresso

- ◆ Avant de brancher la machine, vérifier que la commande vapeur (R) soit fermée, en tournant dans le sens horaire.
- ◆ Brancher l'appareil au secteur.
- ◆ Mettre l'appareil en marche en actionnant l'interrupteur marche/arrêt F.
- ◆ Les voyants du bouton pour 1 tasse de café, du bouton pour 2 tasses de café et du bouton de vapeur clignoteront. La machine commence à chauffer, jusqu'à ce que tous les voyants restent allumés. Cela signifie que la température idéale est atteinte.
- ◆ Placer une ou deux tasses préchauffées sous la/les buses du porte-filtre.
- ◆ Mettre le bouton café (G1 ou G2) en position marche. La

sortie d'infusion de café débutera.

- ◆ Le café s'arrêtera automatiquement lorsque la quantité standard sera atteinte.

Pour personnaliser le volume de café :

- ◆ Tenir enfoncer le bouton pour 1 tasse durant 3 secondes, il se mettra à clignoter. Entrer dans le mode de configuration. Appuyer sur le bouton pour 1 tasse de nouveau pour commencer à faire couler le café. Lorsque le temps défini est atteint, appuyer sur le bouton pour 1 tasse pour compléter la configuration que peut enregistrer la machine. Vous pouvez faire de même avec le bouton pour 2 tasses.
- ◆ Lorsque le café aura fini de couler, attendre quelques secondes avant de retirer les tasses de café.
- ◆ Extraire le porte-filtre et vider le marc de café.
- ◆ Laver le porte-filtre à l'eau du robinet et sécher.
- ◆ Vérifier que le filtre amovible est correctement placé dans le porte-filtre.
- ◆ Accoupler de nouveau le porte-filtre à l'appareil.

Obtention d'eau chaude :

- ◆ Mettre l'appareil en marche en actionnant l'interrupteur marche/arrêt (F).
- ◆ Les voyants du bouton pour 1 tasse de café, du bouton pour 2 tasses de café et du bouton de vapeur clignoteront. La machine commence à chauffer, jusqu'à ce que tous les voyants restent allumés. Ce qui nous indique que l'eau a atteint la température adéquate.
- ◆ Placer un récipient sous le vaporisateur.
- ◆ Ouvrir le régulateur de vapeur (R), en tournant vers la gauche, dans le sens contraire des aiguilles d'une montre.
- ◆ Appuyer sur le bouton sortie de café (G1-G2) , qui actionne la pompe.
- ◆ Consulter l'opération décrite dans le paragraphe « Faire un expresso » si vous avez besoin d'ajuster le temps de travail pour faire de l'eau chaude.
- ◆ L'eau chaude commencera à sortir par le vaporisateur.
- ◆ Une fois la quantité d'eau chaude souhaitée obtenue, appuyer de nouveau sur le bouton de sortie de café (G1 ou G2) ce qui arrêtera la pompe.
- ◆ Fermer la commande (R) en la tournant vers la droite.

Obtention de vapeur :

- ◆ La vapeur sert à faire mousser le lait pour le cappuccino et aussi à chauffer d'autres liquides.
- ◆ Mettre l'appareil en marche, en appuyant sur le bouton interrupteur marche/arrêt

- ◆ Les voyants du bouton pour 1 tasse de café, du bouton pour 2 tasses de café et du bouton de vapeur clignoteront. La machine commence à chauffer, jusqu'à ce que tous les voyants restent allumés. Situation qui indique que l'eau a atteint la température idéale pour le café.

- ◆ Pour la vapeur, appuyer sur le bouton chauffage vapeur (H). L'icône vapeur clignotera et continuera de chauffer jusqu'à atteindre la température vapeur.
- ◆ L'icône vapeur s'allumera fixe lorsque sera atteinte la température nécessaire à l'obtention de la vapeur
- ◆ Note : Durant l'opération, le voyant sur le sélecteur de vapeur s'allumera et s'éteindra pour conserver la température souhaitée.
- ◆ Placer un récipient sous le tube à vapeur.
- ◆ Ouvrir la commande de vapeur en tournant dans le sens contraire des aiguilles d'une montre.
- ◆ La vapeur commencera à sortir.
- ◆ Une fois obtenue la quantité de vapeur suffisante, fermer la commande et retirer le récipient.

IMPORTANT :

- ◆ Lorsque l'appareil n'émet plus de vapeur, il sera alors nécessaire de remplacer l'eau utilisée pour faire de la vapeur ainsi que de rétablir la température (plus basse) de préparation du café.
- ◆ Pour cela, avec la commande vapeur ouverte, en appuyant préalablement sur l'icône vapeur pour terminer la fonction vapeur (elle cesse de chauffer), appuyer sur le bouton café/eau (G1 ou G2), pour activer la pompe.
- ◆ Placer un récipient sous le bec de sortie du café.
- ◆ Lorsque de l'eau commence à circuler dans le tuyau de vapeur, cela signifie que la température de préparation du café est rétablie et que le chauffe-eau est rempli. Fermer la commande de la vapeur et mettre le bouton (G1 ou G2) en position pause

Fonction auto-déconnexion :

- ◆ Les machines BLACK+DECKER sont conçues pour économiser de l'énergie
- ◆ C'est pourquoi après quelques minutes sans utilisation, l'appareil s'éteint automatiquement.
- ◆ Pour revenir au fonctionnement normal, il faudra simplement désactiver le bouton marche (F).

Après utilisation de l'appareil :

- ◆ Arrêter l'appareil, en appuyant sur le bouton marche/arrêt durant quelques secondes.
- ◆ Débrancher l'appareil de la prise secteur.
- ◆ Retirer l'eau du réservoir.
- ◆ Nettoyer l'appareil.

NETTOYAGE

a. Nettoyage de base

- ◆ Débrancher l'appareil du secteur et attendre son complet refroidissement avant de la nettoyer.
- ◆ Nettoyer l'appareil avec un chiffon humide imprégné de quelques gouttes de détergent et le laisser sécher.
- ◆ Ne pas utiliser de solvants ni de produits au pH acide ou basique tels qu'eau de javel, ni de produits abrasifs pour nettoyer l'appareil.
- ◆ Ne pas laisser pénétrer de l'eau ni aucun autre liquide par les ouvertures de ventilation afin d'éviter d'endommager les parties intérieures de l'appareil.
- ◆ Aucune des deux parties de cet appareil n'est adaptée à un nettoyage au lave-vaisselle.
- ◆ Avant son montage et stockage, veiller à bien sécher toutes les pièces.

b. Nettoyage du vaporisateur

- ◆ ATTENTION : Toutes les pièces du vaporisateur peuvent être très chaudes.
- ◆ Il est conseillé de nettoyer le tube vaporisateur après avoir fait de la vapeur afin d'éliminer les dépôts de saleté, et avant d'éteindre la machine
- ◆ Pour cela, retirez la housse du vaporisateur.
- ◆ Mettre un verre avec un peu d'eau sous le tube et plonger le tube dans l'eau.
- ◆ Laisser sortir l'eau chaude par le tube en suivant les instructions « Obtention d'eau chaude »
- ◆ Utiliser un chiffon pour sécher le tube et remettre la poignée.
- ◆ Si aucune vapeur ne sort du tube, cela peut être dû à du lait sec qui bouche la sortie. Dans ce cas, en faisant

attention, utiliser une aiguille pour déboucher l'extrémité du vaporisateur.

- ◆ Une fois propre, rincer avec de l'eau du robinet et la remonter. Vaporiser de nouveau

Traitement des incrustations de tartre :

- ◆ Pour un parfait fonctionnement de l'appareil, celui-ci doit être libre de toute incrustation de calcaire ou magnésium résultant de l'utilisation d'eau trop dure.
- ◆ Pour éviter ce type de problème, il est recommandé d'utiliser des eaux faibles en minéraux calcaires ou en magnésium.
- ◆ Dans tous les cas, s'il n'est pas possible d'utiliser le type d'eau recommandé antérieurement, il sera nécessaire de procéder régulièrement au détartrage de l'appareil, à la fréquence suivante :
- ◆ Toutes les 6 semaines si l'eau est « très dure ».
- ◆ Toutes les 12 semaines si l'eau est « dure ».
- ◆ Pour cela, nous vous recommandons d'utiliser un produit spécifique en vente dans les magasins spécialisés et services techniques autorisés.
- ◆ Les solutions maison, comme l'utilisation de vinaigre, pour les traitements de détartrage de l'appareil, ne sont pas recommandées.

ANOMALIES ET RÉPARATION

- ◆ En cas de panne, remettre l'appareil à un service d'assistance technique agréé. Il est dangereux de tenter de procéder aux réparations ou de démonter l'appareil soi-même.
- ◆ En présence de toute anomalie, se référer au tableau suivant :

Anomalie	Cause possible	Solutions
De l'eau sort par le côté du porte-filtre	Le porte-filtre n'est pas placé correctement. Le bord du filtre est couvert de café. Le groupe de distribution est sale.	Voir paragraphe « remplissage de café » Nettoyer le filtre autour du bord et nettoyer le groupe de distribution de café. Nettoyer avec un chiffon humide.
Le café ne sort pas	Il n'y a pas d'eau Le réservoir d'eau n'est pas correctement mis. Les orifices du filtre sont obstrués, le café a été moulu trop fin ou a été trop pressé	-Remplir le réservoir d'eau. Vérifier que le réservoir soit correctement positionné Vider le filtre et le nettoyer avec de l'eau. Nettoyer le groupe de distribution avec un chiffon humide. Remplir de nouveau le filtre et exercer une légère pression.
Le café sort lentement ou goutte à goutte.	Le café a été trop moulu ou trop pressé.	Veiller à ce que la taille du grain soit la correcte et que le café ne soit pas trop pressé.
Le café sort sans crème	Le café utilisé est périmé ou a séché. Le café n'a pas été suffisamment pressé. Le grain de café est trop gros.	Utiliser un café frais et une fois ouvert, le conserver dans une boîte hermétique. Presser fermement le café. Moudre le grain plus fin.
Le café sort trop rapidement.	Le café a été moulu trop gros. Il n'y a pas assez de café dans le filtre. Le café n'a pas été suffisamment pressé.	Moudre le grain plus fin. Veiller à mettre la quantité correcte de café dans le filtre. Presser plus le café
La vapeur ne sort pas par le tube vaporisateur	-Le tube est bouché	Nettoyer le tube vaporisateur avec un chiffon humide pour extraire les éventuels restes de lait ayant séchés et déboucher les orifices à l'aide d'une aiguille. Appuyer sur l'interrupteur correspondant et faire s'écouler l'eau chaude jusqu'à ce qu'elle s'écoule de manière intense et continue.

Pour les versions UE du produit et/ou en fonction de la législation du pays D'INSTALLATION :

ÉCOLOGIE ET RECYCLAGE DU PRODUIT

- ◆ Les matériaux constitutifs de l'emballage de cet appareil font partie d'un programme de collecte, de tri et de recyclage. Si vous souhaitez vous débarrasser du produit, merci de bien vouloir utiliser les conteneurs publics appropriés à chaque type de matériau.
- ◆ Le produit ne contient pas de substances concentrées susceptibles d'être considérées comme nuisibles à l'environnement.



Ce symbole signifie que si vous souhaitez vous débarrasser de l'appareil, en fin de vie utile, celui-ci devra être déposé, en prenant les mesures adaptées, à un centre agréé pour la collecte et le tri des déchets d'équipements électriques et électroniques (DEEE).

Cet appareil est certifié conforme à la directive 2014/35/EU de basse tension, de même qu'à la directive 2014/30/EU en matière de compatibilité électromagnétique, à la directive 2011/65/EU relative à la limitation de l'utilisation de certaines substances dangereuses dans les équipements électriques et électroniques et à la directive 2009/125/EC pour la fixation d'exigences en matière d'écoconception applicable aux produits liés à l'énergie.

GARANTIE ET ASSISTANCE TECHNIQUE

Ce produit est reconnu et protégé par la garantie établie conformément à la législation en vigueur. Pour faire valoir vos droits ou intérêts, vous devrez vous adresser à l'un de nos services d'assistance technique agréés.

Pour savoir lequel est le plus proche, vous pouvez accéder au lien suivant : <http://www.2helpu.com/>

Vous pouvez aussi nous contacter pour toute information (veuillez consulter la dernière page du manuel).

Vous pouvez télécharger ce manuel d'instructions et ses mises à jour sur <http://www.2helpu.com/>.

KAFFEEMASCHINE BXCO850E

Sehr geehrte Kunden,

Vielen Dank für Ihr Vertrauen in die Marke BLACK+DECKER.

Die Technologie, das Design und die Funktionalität dieses Produkts, das die anspruchsvollsten Qualitätsnormen erfüllt, werden Sie über viele Jahre zufriedenstellen.

SICHERHEITSHINWEISE UND WARNHINWEISE

- ◆ Lesen Sie die Gebrauchsanweisung sorgfältig, bevor Sie das Gerät einschalten und bewahren Sie diese zum Nachschlagen zu einem späteren Zeitpunkt auf. Werden die Hinweise dieser Bedienungsanleitung nicht beachtet und eingehalten, kann es zu Unfällen kommen.
- ◆ Dieser Apparat dient ausschließlich für Haushaltszwecke und ist für professionellen oder gewerblichen Gebrauch nicht geeignet. Dieses Gerät ist nur für den Hausgebrauch und nicht für gewerbliche oder industrielle Zwecke vorgesehen. Dieses Gerät ist nicht für Gäste von Gasthäusern wie Bed and Breakfast, Hotels, Motels oder von sonstigen Beherbergungsbetrieben sowie nicht für Landferienhäuser oder Personalräumen von Geschäften, Büros oder sonstigen Arbeitsstätten konzipiert worden.
- ◆ Vor der Erstanwendung müssen die Einzelteile, die mit Nahrungsmitteln in Kontakt geraten, so wie im Absatz Reinigung beschrieben, gereinigt werden.
- ◆ Personen, denen es an Wissen im Umgang mit dem Gerät mangelt, geistig behinderte Personen oder Kinder ab 8 Jahren dürfen das Gerät nur unter Aufsicht oder Anleitung über den sicheren Gebrauch des Gerätes, so dass sie die Gefahren, die von diesem Gerät ausgehen, verstehen, benutzen.
- ◆ Kinder dürfen an dem Gerät keine Reinigungsoder Instandhaltungsarbeiten vornehmen, sofern sie nicht älter als 8 Jahre sind und von einem Erwachsenen beaufsichtigt werden.
- ◆ Das Gerät und sein Netzanschluss dürfen nicht in die Hände von Kindern unter 8 Jahren kommen.
- ◆ Dieses Gerät ist kein Spielzeug. Kinder müssen beaufsichtigt werden, damit sie nicht mit dem Gerät spielen.
- ◆ Das Gerät nicht in Wasser oder andere Flüssigkeiten tauchen und nicht unter den Wasserhahn halten.
- ◆ Wenn das Netzkabel beschädigt ist, muss es aus Sicherheitsgründen vom Kundendienst des Herstellers oder einem entsprechenden Fachmann ersetzt werden.
- ◆ **ACHTUNG:** Die Oberfläche des Heizelements hat nach seinem Ge-

brauch Resthitze.

- ◆ Vergewissern Sie sich, dass die Spannung auf dem Typenschild mit der Netzspannung übereinstimmt, bevor Sie den Apparat an das Stromnetz anschließen.
- ◆ Das Gerät an einen Stromanschluss anschließen, der mindestens 10 Ampere liefert.
- ◆ Der Stecker des Geräts muss mit dem Steckdosentyp des Stromanschlusses übereinstimmen. Der Gerätestecker darf unter keinen Umständen modifiziert werden. Keine Adapter für den Stecker verwenden.
- ◆ Nicht mit Gewalt am elektrischen Anschlusskabel ziehen. Benutzen Sie das elektrische Kabel nicht zum Anheben oder Transportieren des Geräts. Den Stecker nicht am Kabel aus der Dose ziehen.
- ◆ Kabel nicht um das Gerät rollen.
- ◆ Achten Sie darauf, dass das elektrische Kabel nicht getreten oder zerknittert wird.
- ◆ Achten Sie darauf, dass das elektrische Verbindungskabel nicht mit heißen Teilen des Geräts in Kontakt kommt.
- ◆ Überprüfen Sie das elektrische Verbindungskabel. Beschädigte oder verwickelte Kabel erhöhen das Risiko von elektrischen Schlägen.
- ◆ Berühren Sie den Stecker nicht mit feuchten Händen.
- ◆ Das Gerät darf nicht mit beschädigtem elektrischem Kabel oder Stecker verwendet werden.
- ◆ Sollte ein Teil der Geräteverkleidung beschädigt sein, ist die Stromzufuhr umgehend zu unterbrechen, um einen möglichen elektrischen Schlag zu vermeiden.
- ◆ Das Gerät nicht benutzen, wenn es heruntergefallen ist, sichtbare Schäden aufweist oder undicht ist.
- ◆ Das Gerät nicht auf heiße Oberflächen sowie Kochplatten, Gasbrenner, Ofen oder Ähnliches stellen.
- ◆ Das Gerät muss auf einer ebenen und standfesten Oberfläche aufgestellt und benutzt werden.
- ◆ Dieses Gerät ist nicht für den Gebrauch im Außenbereich geeignet.
- ◆ Wärmeunempfindliche Personen dürfen das Gerät nicht verwenden (da das Gerät mit erhitzbaren Flächen ausgestattet ist).
- ◆ Die erhitzten Teile des Gerätes nicht berühren, da sie schwere Verbrennungen verursachen können

GEBRAUCH UND PFLEGE:

- ◆ Gerät nicht benutzen, wenn Zubehör oder Ersatzteile nicht richtig befestigt sind.
- ◆ Niemals das Gerät ohne Wasser einschalten.
- ◆ Benutzen Sie das Gerät nicht, wenn der Ein-/Ausschalter

nicht funktioniert.

- ◆ Das Gerät nicht bewegen, während es in Betrieb ist.
- ◆ Achten Sie auf die MAXIMUM und MINIMUM-Markierungen.
- ◆ Wenn das Gerät nicht benutzt wird und bevor Sie es reinigen, ziehen Sie bitte den Stecker aus der Netzdose.
- ◆ Zum Auffüllen des Wassertanks das Gerät vom Stromnetz nehmen.
- ◆ Das Gerät außerhalb der Reichweite von Kindern und/oder Personen mit eingeschränkten körperlichen, sensorischen oder geistigen Fähigkeiten bzw. Personen ohne ausreichende Erfahrung und Kenntnisse aufbewahren.
- ◆ Das Gerät nicht wegräumen, wenn es noch heiß ist.
- ◆ Das Gerät nur mit Wasser verwenden.
- ◆ Wir empfehlen, abgefülltes Mineral-Trinkwasser zu verwenden.
- ◆ Das Gerät nie am Stromnetz angeschlossen und ohne Aufsicht lassen. Sie sparen dadurch Energie und verlängern die Gebrauchsdauer des Gerätes.
- ◆ Öffnen Sie die Siebträger-Schublade nicht, solange Kaffee ausläuft, da sich das Gerät unter Druck befindet.

SERVICE

- ◆ Unsachgemäße Verwendung bzw. Nichteinhaltung der Gebrauchsanweisung kann Gefahren zur Folge haben und führt zum Erlöschen der Garantieansprüche sowie der Haftung des Herstellers.

BEZEICHNUNG

- A Netzkabel
- B Wasserbehälter
- C Deckel Frischwasserbehälter
- D Tassen-Wärmeplatte
- E Touch-Bedienfeld
- F An-/Aus-Taste
- G1 Taste 1 Tasse Kaffee
- G2 Taste 2 Tassen Kaffees
- H Dampferwärmungstaste
- I Vaporisatorschlauch
- J Filterhalter
- K Kaffeemesslöffel
- L Kaffeepulverfilter (1 Tasse)
- M Kaffeepulverfilter (2 Tassen)
- N Füllhöhe Tropfschale
- O Tropfschale

- P Tropfschalen-Gitter
R Dampfregler

VERWENDUNG

VOR DER BENUTZUNG:

- ◆ Vergewissern Sie sich, dass Sie das gesamte Verpackungsmaterial des Produkts entfernt haben.
- ◆ Vor dem ersten Gebrauch des Produktes wird empfohlen, einen Durchlauf nur mit Wasser vorzunehmen.
- ◆ Vor der Erstanwendung müssen die Einzelteile, die mit Nahrungsmitteln in Kontakt geraten, so wie im Absatz Reinigung beschrieben, gereinigt werden.
- ◆ Bevor Sie die Maschine einschalten, stellen Sie sicher, dass der Dampfhebel (R) geschlossen ist, indem Sie ihn im Uhrzeigersinn drehen.

Ansaugen des Kreislaufs:

- ◆ Dieser einfache Vorgang stellt einen optimalen Betrieb sicher und ist in folgenden Fällen vorzunehmen:
- ◆ Bei der ersten Benutzung.
- ◆ Wenn das Gerät über einen längeren Zeitraum nicht benutzt wurde (1 oder 2 Wochen)
- ◆ Nach Erzeugen von Dampf.
- ◆ Wenn der Wasserbehälter völlig leer ist.
- ◆ Den Wasserbehälter mit Wasser füllen, die „MAX“-Markierung nicht übersteigen.
- ◆ Schließen Sie das Gerät an das Stromnetz an.
- ◆ Die Ein-/Austaste (F) drücken. Die Leuchtanzeige (ON/OFF) schaltet sich ein
- ◆ Die Anzeigen der Taste für 1 Tasse Kaffee, der Taste für 2 Tassen Kaffee und der Dampftaste blinken, die Maschine beginnt den Erwärmvorgang, bis alle Anzeigen permanent leuchten. Das Vorewärmen ist abgeschlossen.
- ◆ Stellen Sie, ohne den Filterhalter einzusetzen, (oder mit eingesetztem Filterhalter, aber ohne Kaffee), ein Gefäß unter die Öffnung des Dampfschlauches (I).
- ◆ Den Dampfregler (R), gegen den Uhrzeigersinn drehen, um ihn zu öffnen.
- ◆ Drücken Sie die Kaffee-/Wassertaste (G2).
- ◆ Aus der Aufschäumdüse tritt Wasser. Warten Sie, bis ungefähr die Menge einer Tasse ausgetreten ist.
- ◆ Wenn Sie die Maschine zum ersten Mal verwenden, befindet sich kein Wasser im Kessel, weshalb Sie diesen Vorgang eventuell wiederholen müssen, bevor Sie Wasser erhalten.
- ◆ Ausgabe stoppen: Da die Flüssigkeitsmenge vorprogrammiert ist, stoppt die Ausgabe automatisch, aber Sie

können Sie selbst jederzeit stoppen. Drücken Sie dafür erneut die Kaffeetaste, um die Ausgabe zu stoppen und die Dampftaste (R) durch Drehen im Uhrzeigersinn zu stoppen.

- ◆ Damit ist der Ansaugvorgang abgeschlossen.

Mit Wasser füllen:

- ◆ Der Behälter muss unbedingt mit Wasser gefüllt werden, bevor die Maschine in Gang gesetzt werden kann.
- ◆ Den Tank aus dem Gerät nehmen.
- ◆ Den Wassertank bis zur Markierung MAX-MIN füllen.
- ◆ Den Wassertank wieder in sein Fach einsetzen. Vergewissern Sie sich, dass er richtig eingesetzt ist.

FÜLLUNG MIT KAFFEE

- ◆ Filterhalter herausnehmen.
- ◆ Den gewünschten Filter für gemahlene Kaffee (L oder M) in den Filterhalter einsetzen.
- ◆ Wir empfehlen die Verwendung von natürlich geröstetem Kaffee. Die Verwendung von Torrefacto-Kaffee (mit Zuckerzusatz geröstet) kann die Funktion des Geräts beeinträchtigen.
- ◆ Den entnehmbaren Filter mit gemahlene Kaffee füllen, (es müssen 6 bis 7g gemahlener Kaffee pro Tasse Kaffee, die man zubereiten möchte, eingegeben werden).
- ◆ Möchten Sie 1 Tasse Kaffee zubereiten verwenden Sie den Messlöffel für 1 Kaffee und füllen Sie den Messlöffel (1 Teelöffel). Verwenden Sie die Kapazität des Dosierlöffels als Mass für eine Tasse Kaffee.
- ◆ Für 2 Tassen Kaffee, verwenden Sie den Siebträger für 2 Kaffees und geben Sie zwei Löffel hinein.
- ◆ Pressen Sie danach den gemahlene Kaffee leicht mit der Rückseite des Messlöffels zusammen.
- ◆ Den Filterhalter erneut in das Gerät setzen.
- ◆ Den Filterhalter in die Kaffeegruppe geben, indem Sie ihn von unten in die Gruppe in der Einsetz position (Offenes Schloss) einsetzen und gegen den Uhrzeigersinn drehen, bis er sich in der Blockierposition befindet.

Benutzung:

Espresso

- ◆ Bevor Sie die Maschine einschalten, stellen Sie sicher, dass der Dampfhebel (R) geschlossen ist, indem Sie ihn im Uhrzeigersinn schliessen.
- ◆ Schließen Sie das Gerät an das Stromnetz an.
- ◆ Stellen Sie das Gerät an, indem Sie den An-/Ausschalter F betätigen.
- ◆ Die Anzeigen für 1 Tasse Kaffee, 2 Tassen Kaffee und Dampf blinken, die Maschine beginnt den Aufwärmvor-

gang, bis alle Anzeigen leuchten. Dies bedeutet, dass eine geeignete Temperatur erreicht wurde.

- ◆ Eine oder zwei vorgewärmte Tassen unter den Filterhalteraustritt stellen.
- ◆ Die Kaffeetaste (G1 der G2) in die Ein-Position schalten. Der Kaffee beginnt, in die Tasse zu fließen.
- ◆ Die Kaffeeausgabe stoppt automatisch, wenn die Standardmenge erreicht wurde.

Um die Kaffeemenge zu personalisieren:

- ◆ Halten Sie die Taste für 1 Tasse 3 Sekunden lang gedrückt, die Taste für 1 Tasse blinkt. Geben Sie den Konfigurationsmodus ein und drücken Sie die Taste für 1 Tasse erneut, um die Kaffeeausgabe zu starten. Wenn die eingegebene Zeit erreicht wurde, drücken Sie die Taste für 1 Tasse, um die Konfiguration abzuschließen, die sich pro Einheit speichern lässt. Sie können mit der Taste für 2 Tassen genauso vorgehen.
- ◆ Warten Sie einige Sekunden, bevor Sie die Tassen mit dem Kaffee herausnehmen.
- ◆ Entnehmen Sie den Filterhalter und klopfen Sie den Kaffeesatz aus.
- ◆ Reinigen Sie den Filterhalter unter fließendem Wasser und trocknen Sie ihn gut.
- ◆ Überprüfen Sie, ob der herausnehmbare Filter richtig im Filterhalter eingesetzt ist.
- ◆ Den Filterhalter erneut in das Gerät setzen.

Ausgabe von Heißwasser:

- ◆ Das Gerät einschalten, indem Sie die Ein-/Aus-Taste betätigen (F).
- ◆ Die Anzeigen für 1 Tasse Kaffee, 2 Tassen Kaffee und Dampf blinken, die Maschine beginnt den Aufwärmvorgang, bis alle Anzeigen leuchten. Nun hat das Wasser seine Temperatur erreicht.
- ◆ Stellen Sie ein Gefäß unter die Aufschäumdüse.
- ◆ Öffnen Sie den Dampfgregler (R), indem Sie ihn nach links, gegen den Uhrzeigersinn drehen
- ◆ Betätigen Sie die Kaffee-Austrittstaste (G1-G2), die Pumpe geht in Betrieb.
- ◆ Beachten Sie den unter dem Abschnitt „Espresso“ beschriebenen Vorgang, wenn Sie die Zeit zum Erhitzen von Wasser einstellen müssen.
- ◆ Das heiße Wasser beginnt aus der Aufschäumdüse zu fließen.
- ◆ Nachdem die gewünschte Heißwassermenge erreicht wurde, die Kaffee-Austrittstaste (G1 ó G2) erneut drücken, so wird die Pumpe angehalten.
- ◆ Den Dampfgregler (R) schließen, indem Sie ihn nach rechts, im den Uhrzeigersinn drehen.

Ausgabe von Dampf:

- ◆ Durch Dampf kann Milch für einen Cappuccino aufgeschäumt werden und auch andere Getränke können erhitzt werden.
- ◆ Das Gerät einschalten, indem Sie die Ein-/Aus-Taste drücken.
- ◆ Die Anzeigen für 1 Tasse Kaffee, 2 Tassen Kaffee und Dampf blinken, die Maschine beginnt den Aufwärmvorgang, bis alle Anzeigen leuchten. Dies bedeutet, dass das Wasser eine für die Kaffeezubereitung geeignete Temperatur erreicht hat.
- ◆ Für Dampf drücken Sie die Dampf-erwärmungstaste (H) das Dampf symbol blinkt und die Maschine erhitzt sich weiter, bis sie die Dampftemperatur erreicht.
- ◆ Das Damfsymbol leuchtet beständig, wenn die Maschine die notwendige Temperatur zur Dampferzeugung erreicht hat
- ◆ Anmerkung: Während des Betriebs schaltet sich die Anzeige an der Dampfauswahlstaste ein und aus, um die gewünschte Temperatur aufrechtzuerhalten.
- ◆ Stellen Sie einen Behälter unter die Aufschäumdüse.
- ◆ Den Dampfgregler gegen den Uhrzeigersinn drehen, um ihn zu öffnen.
- ◆ Es wird nur Dampf austreten.
- ◆ Wenn Sie keinen Dampf mehr benötigen, schließen Sie den Dampfgregler und entnehmen Sie den Behälter.

WICHTIG:

- ◆ Wenn der Dampferzeugungsvorgang abgeschlossen ist, müssen Sie das für die Dampferzeugung verwendete Wasser wieder auffüllen und die (niedrigere) Temperatur für Kaffee wiederherstellen.
- ◆ Drücken Sie dazu bei offenem Hahn das Damfsymbol, um die Dampffunktion zu beenden (erwärmt nicht mehr), die Kaffee-/Wassertaste (G1 oder G2), was die Pumpe aktiviert.
- ◆ Geben Sie ein Gefäß unter die Schlauchöffnung.
- ◆ Wenn Wasser aus dem Damfschlauch austritt, bedeutet dies, dass die Temperatur für Kaffee wiederhergestellt wurde und der Behälter wieder aufgefüllt wurde. Sie können jetzt den Dampfhebel schließen und die Taste (G1 oder G2) in die Ruheposition bringen.

Selbstausschalfunktion:

- ◆ Die Geräte von BLACK+DECKER wurden entworfen, um Energie zu sparen
- ◆ Aus diesem Grund, schaltet sich das Gerät einige Minuten nach dem letzten Vorgang automatisch ab.
- ◆ Um zum normalen Betrieb zurückzukehren, müssen Sie die Ein-Taste (F) drücken.

Nach der Benutzung des Geräts:

- ◆ Das Gerät stoppen, indem Sie die Ein-/Austaste einige Sekunden lang drücken.
- ◆ Den Stecker aus der Netzdose ziehen.
- ◆ Das Wasser aus dem Wassertank gießen.
- ◆ Reinigen Sie das Gerät.

REINIGUNG

a. Grundreinigung

- ◆ Ziehen Sie den Stecker heraus und lassen Sie das Gerät abkühlen, bevor Sie mit der Reinigung beginnen.
- ◆ Reinigen Sie das Gerät mit einem feuchten Tuch, auf das Sie einige Tropfen Reinigungsmittel geben und trocknen Sie es danach ab.
- ◆ Verwenden Sie zur Reinigung des Geräts weder Löseoder Scheuermittel noch Produkte mit einem sauren oder basischen pH-Wert wie z.B. Lauge.
- ◆ Lassen Sie kein Wasser oder andere Flüssigkeiten in die Belüftungsöffnungen eindringen, um Schäden an den inneren Funktionsteilen des Gerätes zu vermeiden.
- ◆ Kein Teil dieses Geräts ist zum Reinigen in der Spülmaschine geeignet.
- ◆ Trocknen Sie alle Teile gut ab, bevor Sie das Gerät montieren und aufbewahren.

b. Reinigung der Dampfdüse

- ◆ VORSICHT: Seien Sie vorsichtig, alle Teile des Aufschäumers könnten heiss sein
- ◆ Es wird empfohlen, den Dampfschlauch nach dem Aufschäumen und vor dem Abschalten der Maschine zu reinigen, um Schmutzresten vorzubeugen
- ◆ Nehmen Sie dafür die Hülle von der Dampfdüse.
- ◆ Stellen Sie ein Glas mit etwas Wasser unter den Schlauch und tauchen Sie den Schlauch in das Wasser.
- ◆ Lassen Sie das heisse Wasser aus dem Schlauch fließen, wobei Sie den Anweisungen "Herstellung von heissem Wasser" folgen.

- ◆ Verwenden Sie ein Tuch, um den Schlauch abzutrocknen und bringen Sie die Hülle wieder an.
- ◆ Wenn kein Dampf austritt, könnte es sein, dass vertrocknete Milch den Austritt behindert. Verwenden Sie in diesem Fall vorsichtig eine Nadel, um die Spitze des Aufschäumers zu reinigen.
- ◆ Spülen Sie sie danach mit Leitungswasser ab und montieren Sie sie wieder. Erzeugen Sie erneut Dampf

Behandlung von verkrusteten Kalkablagerungen:

- ◆ Für den perfekten Betrieb ist das Gerät von Kalkoder Magnesiumresten zu befreien, die sich durch besonders hartes Wasser ablagern.
- ◆ Um dies zu vermeiden empfiehlt sich der Gebrauch von Wasser mit geringem Kalk oder Magnesiumgehalt.
- ◆ Steht das empfohlene Wasser nicht zur Verfügung, sollte in folgenden Abständen eine Entkalkungsbehandlung erfolgen:
 - ◆ Alle 6 Wochen wenn das Wasser "sehr hart" ist.
 - ◆ Alle 12 Wochen wenn das Wasser "hart" ist.
- ◆ Wir empfehlen die Verwendung eines spezifischen Entkalkungsprodukts für diese Art Gerät. Sie erhalten diese Produkte in Fachgeschäften oder beim offiziellen Kundendienst.
- ◆ Hausgemachte Lösungen, wie mit Essig zubereitete Flüssigkeiten, sind nicht zur Entkalkung des Geräts geeignet.

STÖRUNGEN UND REPARATUR

- ◆ Bei Schäden und Störungen bringen Sie das Gerät zu einem zugelassenen Technischen Kundendienst. Versuchen Sie nicht, das Gerät selbst auseinanderzubauen und zu reparieren. Das könnte Gefahren zur Folge haben.
- ◆ Lösungen zur Behebung kleiner Störungen können Sie der folgenden Tabelle entnehmen:

Anomalien	Mögliche Ursache	Lösungen
Wasser tritt seitlich aus dem Filterhalter aus	Der Filterhalter ist nicht richtig angebracht. Der Rand des Siebträgers ist voller Kaffee. Die Abgabegruppe ist schmutzig.	Siehe Abschnitt "Füllen mit Kaffee" Den Rand des Siebträgers säubern und die KaffeeAbgabegruppe reinigen. Mit einem feuchten Tuch reinigen.
Kein Kaffee tritt aus	Es befindet sich kein Wasser in der Maschine Der Wasserbehälter ist nicht richtig angebracht. Die Löcher des Siebträgers sind verstopft, der Kaffee wurde zu fein gemahlen oder wurde zu stark gedrückt.	Den Wasserbehälter füllen. Überprüfen, ob der Behälter richtig angebracht ist. Den Siebträger leeren und mit Wasser reinigen. Die Abgabegruppe mit einem feuchten Tuch reinigen. Den Siebträger erneut füllen und den Kaffee leicht andrücken.
Der Kaffee tritt langsam oder in einzelnen Tropfen aus	Der Kaffee wurde zu stark gemahlen oder angedrückt.	Stellen Sie sicher, dass die Mahlgrösse richtig ist und der Kaffee nicht zu stark angedrückt wurde.
Der Kaffee tritt ohne Creme aus	Das verwendete Kaffeepulver ist verdorben oder ausgetrocknet. Der Kaffee wurde nicht ausreichend angedrückt. Der Kaffee wurde zu grob gemahlen.	Verwenden Sie frischen Kaffee und bewahren Sie ihn nach Anbruch in einem hermetisch abgeschlossenen Behälter auf. Den Kaffee fester andrücken. Den Kaffee feiner mahlen.
Der Kaffee tritt zu schnell aus	Der Kaffee wurde sehr grob gemahlen. Im Siebträger befindet sich zu wenig Kaffee. Der Kaffee wurde nicht ausreichend angedrückt.	Den Kaffee feiner mahlen. Stellen Sie sicher, dass Sie die richtige Kaffeemenge in den Siebträger gegeben haben. Den Kaffee fester andrücken.
Aus der Aufschäumdüse tritt kein Dampf aus	Das Rohr ist verstopft	Die Aufschäumdüse mit einem feuchten Tuch reinigen, um die möglichen angetrockneten Milchreste zu entfernen und die Löcher mithilfe einer Nadel reinigen. Den entsprechenden Schalter drücken und "Heisswasser" ausgeben, bis dieses kraftvoll und kontinuierlich austritt.

Für die EU-Ausführungen des Produkts und/oder für Länder, in denen diese Vorschriften anzuwenden sind:

Ökologie und recycling des produkts

- ◆ Die zur Herstellung des Verpackungsmaterials dieses Geräts verwendeten Materialien sind im Sammel-, Klassifizierungs- und Recyclingsystem integriert. Wenn Sie es entsorgen möchten, können Sie die öffentlichen Container für die einzelnen Materialarten verwenden.
- ◆ Das Produkt ist frei von umweltschädlichen Konzentrationen von Substanzen.



Dieses Symbol weist darauf hin, dass das Produkt, wenn Sie es am Ende seiner Lebensdauer entsorgen wollen, in geeigneter

Weise bei einer zugelassenen Entsorgungsstelle abzugeben ist, um die getrennte Sammlung von Elektroid Elektronikgeräte-Abfall (WEEE) sicherzustellen.

Dieses Gerät erfüllt die Richtlinie 2014/35/EU über Niederspannung, die Richtlinie 2014/30/EU über elektromagnetische Verträglichkeit, die Richtlinie 2011/65/EU zur Beschränkung der Verwendung bestimmter gefährlicher Stoffe in Elektroid Elektronikgeräten und die Richtlinie 2009/125/EC über die Anforderungen an die umweltgerechte Gestaltung energiebetriebener Produk

GARANTIE UND TECHNISCHE SERVICE

Dieses Produkt ist von der gesetzlichen Garantie gemäss der geltenden Gesetzgebung geschützt. Um Ihre Rechte und Interessen geltend zu machen, müssen Sie eines unserer offiziellen Servicezentren aufsuchen.

Über folgenden Link finden Sie ein Servicezentrum in Ihrer Nähe: <http://www.2helpu.com/>

Sie können auch Informationen anfordern, indem Sie sich mit uns in Verbindung setzen (siehe letzte Seite des Handbuchs).

Sie können dieses Benutzerhandbuch und seine Aktualisierungen unter <http://www.2helpu.com/> herunterladen.

MACCHINA PER IL CAFFÈ BXC0850E

Egregio cliente,

La ringraziamo di aver comprato un prodotto della marca BLACK+DECKER.

La sua tecnologia, il suo design e la sua funzionalità, oltre al fatto di aver superato le più rigorose norme di qualità, le assicureranno una totale e durevole soddisfazione.

CONSIGLI DI SICUREZZA E AVVERTENZE

- ◆ Prima di utilizzare l'apparecchio, leggere attentamente le istruzioni riportate nel presente opuscolo e conservarlo per future consultazioni. La mancata osservanza delle presenti istruzioni può essere causa di incidenti.
- ◆ Questo apparecchio è destinato unicamente ad un uso domestico, non professionale o industriale. L'apparecchio è stato progettato per un uso esclusivamente domestico e non è destinato a un uso professionale e industriale. Non è adatto all'utilizzo da parte di ospiti di strutture ricettive, quali bed and breakfast, hotel, motel e altri tipi di ambienti residenziali, compresi agriturismi o aree di riposo per il personale di negozi, uffici e altri ambienti di lavoro.
- ◆ Prima del primo utilizzo dell'apparecchio, si consiglia di pulire tutte le parti a contatto con gli alimenti, come indicato nella sezione dedicata alla pulizia.
- ◆ Questo apparato può essere utilizzato da persone che non ne conoscono il funzionamento, persone disabili o bambini di età superiore a 8 anni, esclusivamente sotto la sorveglianza di un adulto o nel caso abbiano ricevuto le istruzioni per un suo uso in tutta sicurezza e ne comprendano i rischi.
- ◆ I bambini non devono effettuare operazioni di pulizia o manutenzione dell'apparecchio se sono minori di 8 anni e comunque sempre sotto la sorveglianza di un adulto.
- ◆ Mantenere l'apparecchio e le parti per il collegamento alla rete elettrica fuori dalla portata di bambini minori di 8 anni.
- ◆ Questo apparecchio non è un giocattolo. Assicurarsi che i bambini non giochino con l'apparecchio.
- ◆ Non immergere l'apparecchio in acqua o altri liquidi, né lavarlo con acqua corrente.
- ◆ Se il cavo di alimentazione è danneggiato farlo sostituire dal produttore, da un servizio di assistenza post-vendita o da personale qualificato per evitare pericoli.
- ◆ **PRECAUZIONI:** La superficie dell'elemento riscaldante può presentare un calore residuo dopo l'utilizzo.
- ◆ Prima di collegare l'apparecchio alla rete elettrica, verificare che il voltaggio indicato sulla targhetta caratteristiche e il selettore di voltaggio corrispondano al voltaggio

della rete.

- ◆ Collegare l'apparecchio a una base dotata di messa a terra in grado di sostenere almeno 10 ampere.
- ◆ Verificare che la presa sia adatta alla spina dell'apparecchio. Non apportare alcuna modifica alla spina. Non usare adattatori.
- ◆ Non tirare il cavo elettrico. Non usare mai il cavo elettrico per sollevare, trasportare o scollegare l'apparecchio.
- ◆ Non avvolgere il cavo di alimentazione attorno all'apparecchio.
- ◆ Non lasciare che il cavo rimanga impigliato o attorcigliato.
- ◆ Non lasciare che il cavo di connessione entri in contatto con le superfici calde dell'apparecchio.
- ◆ Controllare lo stato del cavo di alimentazione: I cavi danneggiati o attorcigliati aumentano il rischio di scariche elettriche.
- ◆ Non toccare mai la spina con le mani bagnate.
- ◆ Non utilizzare l'apparecchio se il cavo di alimentazione o la spina fossero danneggiati.
- ◆ In caso di rottura di una parte dell'involucro esterno dell'apparecchio, scollegare immediatamente la spina dalla presa di corrente al fine di evitare eventuali scariche elettriche.
- ◆ Non usare l'apparecchio dopo una caduta, se presenta danni visibili o in presenza di qualsiasi perdita.
- ◆ Non collocare l'apparecchio su superfici calde come piastre di cottura, bruciatori a gas, forni o simili.
- ◆ L'apparecchio deve essere collocato e utilizzato su una superficie piana e stabile.
- ◆ Apparato non idoneo all'uso in ambienti esterni.
- ◆ Si sconsiglia l'uso dell'apparecchio a persone insensibili al calore in quanto l'apparecchio possiede superfici riscaldate.
- ◆ Non toccare le parti riscaldate dell'apparecchio perché potrebbero provocare gravi scottature.

PRECAUZIONI D'USO:

- ◆ Non utilizzare l'apparecchio se gli accessori non sono correttamente montati.
- ◆ Non utilizzare l'apparecchio senza acqua.
- ◆ Non utilizzare l'apparecchio se il suo dispositivo di accensione/spegnimento non è funzionante.
- ◆ Non muovere l'apparecchio durante l'uso
- ◆ Fare attenzione ai livelli MASSIMO e MINIMO.
- ◆ Scollegare la spina dalla presa di corrente quando l'apparecchio non è in uso e prima di eseguire qualsiasi operazione di pulizia.

- ◆ Scollegare l'apparecchio dalla rete prima di riempire il serbatoio d'acqua.
- ◆ Conservare questo apparecchio fuori dalla portata dei bambini e/o persone con problemi fisici, mentali o di sensibilità o con mancanza di esperienza e conoscenza
- ◆ Non riporre l'apparecchio quando ancora caldo.
- ◆ Utilizzare l'apparecchio solo con acqua.
- ◆ Si consiglia di utilizzare acqua minerale in bottiglia destinata al consumo umano.
- ◆ Non lasciare mai l'apparecchio collegato alla rete elettrica e senza controllo. Si otterrà un risparmio energetico e si prolungherà la vita dell'apparecchio stesso.
- ◆ Non estrarre il portafiltri mentre si sta facendo caffè, giacché, in questo momento, è sotto pressione.

SERVIZIO

- ◆ Il produttore invalida la garanzia e declina ogni responsabilità in caso di uso inappropriato dell'apparecchio o non conforme alle istruzioni d'uso.

DESCRIZIONE

- A Cavo di collegamento
- B Serbatoio dell'acqua
- C Coperchio del serbatoio dell'acqua
- D Superficie scaldatazze
- E Pannello di controllo touchscreen
- F Interruttore accensione/spegnimento
- G1 Pulsante erogazione un caffè
- G2 Pulsante erogazione due caffè
- H Pulsante riscaldamento vapore
- I Tubo vaporizzatore
- J Porta filtri
- K Cucchiaino dosatore
- L Filtro per caffè macinato (1 tazza)
- M Filtro per caffè macinato (2 tazze)
- N Livello vassoio raccogli-gocce
- O Vaschetta raccogli gocce
- P Griglia vaschetta
- R Regolatore vapore

MODO D'USO

PRIMA DELL'USO:

- ◆ Assicurarsi di aver rimosso dal prodotto tutto il materiale di imballaggio.
- ◆ Per il primo utilizzo, si consiglia di adoperare il prodotto

solo con acqua.

- ◆ Prima del primo utilizzo dell'apparecchio, si consiglia di pulire tutte le parti a contatto con gli alimenti, come indicato nella sezione dedicata alla pulizia.
- ◆ Prima di collegare la macchina, assicurarsi che il comando vapore (R) sia chiuso, girandolo in senso orario.

Avviamento del circuito:

- ◆ Questa semplice operazione assicura un'erogazione ottimale e deve essere effettuata:
- ◆ Alla prima accensione.
- ◆ Quando la macchina rimane inutilizzata per un lungo periodo di tempo (1 o 2 settimane)
- ◆ Dopo aver utilizzato il vapore.
- ◆ Quando il serbatoio rimane senz'acqua.
- ◆ Riempire il serbatoio di acqua, cercando di rimanere al di sotto del segnale di livello "MAX".
- ◆ Collegare l'apparato alla rete elettrica.
- ◆ Premere il pulsante di accensione/spegnimento (F). La spia luminosa (ON/OFF) si illumina.
- ◆ Le spie del pulsante per 1 tazza di caffè, i pulsante per 2 tazze di caffè e il pulsante vapore lampeggiano, la macchina inizia a riscaldarsi, finché la luce di tutte le spie non rimane fissa. Il preriscaldamento è terminato.
- ◆ Senza il portafiltri (H) (o con il portafiltri, ma senza caffè), posizionare un recipiente sotto l'uscita dal tubo del vapore (I).
- ◆ Aprire il regolatore del vapore (R), girandolo in senso antiorario
- ◆ Premere il pulsante caffè/acqua (G2).
- ◆ Uscirà dell'acqua dal tubo del vapore. Attendere che ne esca una quantità corrispondente a circa il contenuto di una tazza.
- ◆ La prima volta che si utilizza la macchina non è presente acqua nella caldaia, pertanto è possibile che si debba ripetere quest'operazione, prima di ottenere l'acqua.
- ◆ Per terminare l'erogazione, la quantità di liquido è programmata, pertanto si arresta automaticamente, ma si può anche arrestare in qualsiasi momento. A tale fine, premere nuovamente il pulsante caffè, per arrestare e chiudere il comando vapore (R) girandolo in senso orario.
- ◆ In questo modo terminerà l'operazione di avviamento

Riempimento d'acqua:

- ◆ È necessario riempire il serbatoio con acqua prima di avviare l'apparecchio.
- ◆ Rimuovere il serbatoio dall'apparecchio.
- ◆ Riempire il serbatoio con acqua fredda, rispettando il

livello MAX e MIN

- ◆ Ricollocare il serbatoio nel suo alloggio, assicurandosi di incastrarlo correttamente.

Riempimento del caffè

- ◆ Estrarre il porta filtro.
- ◆ Inserire il filtro per il caffè macinato che si desidera (L o M) nel porta filtri.
- ◆ Consigliamo di utilizzare del caffè a tostatura naturale. L'utilizzo di caffè torrefatto potrebbe compromettere il funzionamento della macchina.
- ◆ Riempire il filtro estraibile con caffè macinato (utilizzare 6 a 7 g di caffè per ogni tazza da preparare).
- ◆ Se si desidera fare 1 caffè, utilizzare il filtro per 1 caffè e riempirlo (1 cucchiainata): prendere la misura del cucchiaino dosatore come misura per un caffè.
- ◆ Per 2 caffè, utilizzare il filtro per 2 caffè e mettere 2 cucchiainate.
- ◆ Premere quindi leggermente il caffè macinato con la parte posteriore del cucchiaino.
- ◆ Inserire nuovamente il portafiltri nella macchina.
- ◆ Inserire dal basso il portafiltri nel gruppo caffè nella posizione di inserimento (Lucchetto aperto) e girarlo in senso antiorario finché arriva alla posizione di blocco.

Uso:

Come fare Espresso

- ◆ Prima di collegare la macchina, verificare che il comando vapore (R) sia chiuso, girandolo in senso orario.
- ◆ Collegare l'apparato alla rete elettrica.
- ◆ Avviare l'apparecchio azionando l'interruttore accensione/spegnimento F.
- ◆ Le spie del pulsante per 1 tazza di caffè, per 2 tazze di caffè e quello del vapore lampeggiano, la macchina inizia a riscaldarsi, finché la luce di tutte le spie non rimane fissa, indicando che è stata raggiunta la temperatura adeguata.
- ◆ Posizionare una o due tazze preriscaldate in corrispondenza dell'uscita del portafiltri.
- ◆ Premere il pulsante del caffè (G1 o G2) e metterlo nella posizione di accensione. Inizierà l'erogazione dell'infuso di caffè.
- ◆ Il caffè si arresta automaticamente quando sia stata erogata la quantità standard.

Per personalizzare il volume del caffè:

- ◆ Tenere premuto 3 secondi il pulsante per 1 tazza, che lampeggia, e entrare nella modalità di configurazione; premere nuovamente il pulsante per 1 tazza per iniziare

ad erogare caffè: quando si raggiunga il tempo specificato, premere il pulsante per 1 tazza per completare la configurazione, che può essere memorizzata dall'unità. Si può ripetere l'operazione per il pulsante per 2 tazze.

- ◆ Terminata l'erogazione, attendere alcuni secondi e ritirare le tazze con il caffè.
- ◆ Estrarre il porta filtri e svuotarlo dei fondi.
- ◆ Lavare il porta filtri con acqua corrente ed asciugare con cura.
- ◆ Verificare che il filtro estraibile sia collocato correttamente nel porta filtro.
- ◆ Inserire nuovamente il porta filtri nella macchina.

Erogazione di acqua calda:

- ◆ Avviare l'apparecchio, premendo il pulsante avvio/arresto (F).
- ◆ Le spie del pulsante per 1 tazza di caffè, per 2 tazze di caffè e quello del vapore lampeggiano, la macchina inizia a riscaldarsi, finché la luce di tutte le spie non rimane fissa. Ciò indicherà che l'acqua è arrivata alla temperatura adeguata.
- ◆ Posizionare un recipiente sotto il vaporizzatore.
- ◆ Aprire il regolatore di vapore (R) girandolo verso sinistra, in senso antiorario
- ◆ Premere il tasto di uscita del caffè (G1-G2), che aziona la pompa.
- ◆ Consultare l'operazione descritta nella sezione "Come fare Espresso" quando si debba regolare il tempo di funzionamento per l'acqua calda.
- ◆ L'acqua calda inizierà ad uscire dal vaporizzatore.
- ◆ Dopo aver ottenuto la quantità necessaria di acqua calda, premere nuovamente il tasto di uscita del caffè (G1 ó G2) e la pompa si arresterà.
- ◆ Chiudere il regolatore (R) girandolo verso destra, in senso orario

Erogazione di vapore:

- ◆ Il vapore può essere utilizzato per preparare la schiuma del cappuccino o per scaldare altri liquidi.
- ◆ Avviare l'apparecchio, premendo il pulsante avvio/arresto.
- ◆ Le spie del pulsante per 1 tazza di caffè, per 2 tazze di caffè e quello del vapore lampeggiano, la macchina inizia a riscaldarsi, finché la luce di tutte le spie non rimane fissa. Ciò indica che l'acqua ha raggiunto la temperatura adeguata per il caffè.
- ◆ Per il vapore, premere il pulsante di riscaldamento vapore (H) l'icona vapore lampeggerà e continuerà a riscaldare fino a raggiungere la temperatura vapore.

- ◆ L'icona del vapore si illumina e rimane fissa quando arriva a tale temperatura, necessaria per ottenere vapore
- ◆ Nota: Durante il funzionamento, la spia del selettore del vapore si accende e spegne per conservare la temperatura desiderata.
- ◆ Posizionare un recipiente sotto il tubo del vapore.
- ◆ Aprire il comando vapore, girandolo in senso antiorario.
- ◆ Comincerà ad uscire solamente vapore.
- ◆ Raggiunta la quantità necessaria, chiudere il regolatore e ritirare il recipiente.

IMPORTANTE

- ◆ Quando termini di generare vapore, la macchina deve rabboccare l'acqua utilizzata e, allo stesso tempo, recuperare la temperatura (più bassa) per il caffè.
- ◆ A tale fine, dopo aver aperto l'ugello del vapore e aver premuto l'icona vapore per terminare la funzione vapore (smette di riscaldare), premere il pulsante caffè/acqua (G1 o G2), per attivare la pompa.
- ◆ Posizionare un recipiente sotto l'uscita del tubo.
- ◆ Quando inizi ad uscire acqua dal tubo del vapore, la macchina avrà recuperato la temperatura del caffè e riempito la caldaia. Si può già chiudere il comando vapore e premere il pulsante (G1 o G2) mettendolo nellaposizione di riposo.

Funzione disattivazione automatica:

- ◆ Le macchine BLACK+DECKER sono progettate per il risparmio energetico
- ◆ A tale fine, trascorsi alcuni minuti, dall'ultima azione effettuata, l'apparecchio si spegne automaticamente.
- ◆ Per tornare al normale funzionamento, basta collegare il pulsante di avvio (F).

Una volta concluso l'utilizzo dell'apparecchio:

- ◆ Arrestare l'apparecchio premendo il pulsante avvio/arresto alcuni secondi.
- ◆ Scollegare l'apparecchio dalla rete.
- ◆ Svuotare il serbatoio dell'acqua.
- ◆ Pulire l'apparecchio.

PULIZIA

a. Pulizia base

- ◆ Scollegare la spina dalla rete elettrica e aspettare che l'apparecchio si raffreddi prima di eseguire la pulizia.

- ◆ Pulire l'apparecchio con un panno umido impregnato di gocce di detergente.
- ◆ Per la pulizia non impiegare solventi o prodotti a pH acido o basico come la candeggina, né prodotti abrasivi.
- ◆ Non lasciar entrare acqua o altri liquidi nelle fenditure del sistema di ventilazione per non danneggiare le parti operative dell'apparecchio.
- ◆ Nessuna delle parti che compongono questo apparato è adatta per il lavaggio in lavastoviglie.
- ◆ Prima di montare e riporre l'apparecchio, asciugare bene tutti i pezzi.

b. Pulizia del vaporizzatore

- ◆ **ATTENZIONE:** Perché tutti i componenti del vaporizzatore possono essere molto caldi
 - ◆ È consigliabile pulire il tubo del vaporizzatore dopo aver prodotto vapore, per prevenire accumuli di sporcizia, e prima di spegnere la macchina.
 - ◆ A tale fine, estrarre l'involucro del vaporizzatore.
 - ◆ Mettere un bicchiere d'acqua, sotto il tubo e immergi il tubo nell'acqua.
 - ◆ Lasciare uscire l'acqua calda attraverso il tubo seguendo le istruzioni "Come ottenere acqua calda".
 - ◆ Utilizzare un panno per asciugare il tubo e riposizionare l'involucro.
- ◆ Se non dovesse uscire vapore, la causa potrebbe essere il latte secco che intasa l'uscita. In questo caso, utilizzare con attenzione un ago per disintasarne la punta del vaporizzatore.
 - ◆ Quando sia pulito, risciacquarlo con acqua corrente del rubinetto e rimontarlo. Vaporizzare nuovamente.

Eliminazione delle incrostazioni calcaree:

- ◆ Per un corretto funzionamento dell'apparecchio, evitare la formazione di incrostazioni di calcio o magnesio causate dall'uso di acqua ad elevata durezza.
- ◆ A tal fine, si raccomanda l'uso di un'acqua a basso contenuto di sali di calcio e magnesio.
- ◆ In ogni caso, se non fosse possibile usare il tipo d'acqua raccomandato, si consiglia di eseguire periodicamente un procedimento di decalcificazione dell'apparecchio:
- ◆ Ogni 6 settimane se l'acqua è "molto dura".
- ◆ Ogni 12 settimane se l'acqua è "dura".
- ◆ Per la decalcificazione dell'apparecchio si raccomanda di usare un prodotto anticalcare specifico, in vendita nei negozi specializzati e nei punti d'assistenza tecnica autorizzati.
- ◆ Si consiglia di evitare rimedi fatti in casa, come l'uso dell'aceto.

ANOMALIE E RIPARAZIONI

- ◆ In caso di guasto, rivolgersi ad un Centro d'Assistenza Tecnica autorizzato. Non tentare di smontare o di riparare l'apparecchio: può essere pericoloso.
- ◆ In caso di anomalie, consultare la tabella seguente:

Anomalia	Possibile causa	Soluzioni
Esce acqua dal lato del portafiltri	Il portafiltri non è correttamente posizionato. Il bordo del filtro è coperto di caffè. Il gruppo di erogazione è sporco.	Vedere il punto "Riempimento del Caffè" Pulire il bordo del filtro e il gruppo di erogazione del caffè. Pulire con un panno umido.
Non esce caffè	Non c'è acqua Il serbatoio dell'acqua non è correttamente posizionato. I fori del filtro sono intasati, il caffè è macinato troppo fino o è stato pressato eccessivamente.	Riempire il serbatoio dell'acqua. Verificare che il serbatoio sia correttamente posizionato Svuotare il filtro e pulirlo con acqua. Pulire il gruppo di erogazione con un panno umido. Caricare nuovamente il filtro e pressare leggermente il caffè.
Il caffè esce lentamente o gocchia a goccia	Il caffè è stato macinato troppo o è eccessivamente pressato.	Assicurarsi che la grana di macinazione sia la corretta e di non pressare eccessivamente il caffè.
Il caffè esce senza crema	Il caffè utilizzato è scaduto o si è seccato. Il caffè non è stato sufficientemente pressato. La macinatura del caffè ha una grana troppo grossa.	Utilizzare caffè fresco e, dopo aver aperto la confezione, conservarlo in un barattolo ermetico. Pressare bene il caffè. Macinare il caffè più finemente.
Il caffè esce troppo velocemente	Il caffè è stato macinato con una grana troppo grossa. Il filtro non è stato sufficientemente riempito di caffè. Il caffè non è stato sufficientemente pressato.	Macinare il caffè più finemente. Assicurarsi di aver riempito il filtro con la quantità corretta di caffè. Pressare meglio il caffè.
Non esce vapore dal tubo vaporizzatore	Il tubo è intasato	Pulire il tubo vaporizzatore con un anno umido per estrarre gli eventuali residui di latte che si possano essere seccati e sturare i fori aiutandosi con un ago. Premere il corrispondente interruttore ed estrarre acqua calda, finché questa non esca con forza e ininterrottamente.

Per i prodotti dell'Unione Europea e/o nel caso in cui sia previsto dalla legislazione del Suo paese di origine:

PRODOTTO ECOLOGICO E RICICLABILE

- ◆ I materiali che costituiscono l'imballaggio di questo apparecchio sono compresi in un sistema di raccolta, classificazione e riciclaggio degli stessi. Per lo smaltimento, utilizzare gli appositi contenitori pubblici, adatti per ogni tipo di materiale.
- ◆ Il prodotto non contiene concentrazioni di sostanze considerate dannose per l'ambiente.



Questo simbolo indica che, per smaltire il prodotto al termine della sua durata utile, occorre depositarlo presso un ente di smaltimento autorizzato alla raccolta differenziata di rifiuti di apparecchiature elettriche ed elettroniche (RAEE).

Questo apparecchio rispetta la Direttiva 2014/35/EU di Bassa Tensione, la Direttiva 2014/30/EU di Compatibilità Elettromagnetica, la Direttiva 2011/65/EU sui limiti d'impiego di determinate sostanze pericolose negli apparecchi elettrici ed elettronici e la Direttiva 2009/125/EC riguardante l'Ecodesign dei prodotti che consumano energia.

GARANZIA E ASSISTENZA TECNICA

Questo prodotto possiede il riconoscimento e la protezione della garanzia legale di conformità con la legislazione vigente. Per far valere i suoi diritti o interessi, dovrà rivolgersi a uno qualsiasi dei nostri servizi ufficiali di assistenza tecnica.

Può trovare il più vicino cliccando sul seguente link: <http://www.2helpu.com/>.

Inoltre, può richiedere informazioni mettendosi in contatto con noi (consultare l'ultima pagina del manuale).

Può scaricare questo manuale di istruzioni e i suoi aggiornamenti da <http://www.2helpu.com/>.

CAFETERA BXCO850E

Distinguido cliente:

Le agradecemos que se haya decidido por la compra de un producto de la marca BLACK+DECKER.

Su tecnología, diseño y funcionalidad, junto con el hecho de superar las más estrictas normas de calidad le comportarán total satisfacción durante mucho tiempo.

ADVERTENCIAS Y CONSEJOS DE SEGURIDAD

- ◆ Leer atentamente este folleto de instrucciones antes de poner el aparato en marcha y guardarlo para posteriores consultas. La no observación y cumplimiento de estas instrucciones pueden comportar como resultado un accidente.
- ◆ Este aparato está pensado únicamente para un uso doméstico, no para uso profesional o industrial. No está pensado para ser usado por clientes en entornos de hostelería de tipo alojamiento y desayuno, hoteles, moteles y otros entornos de tipo residencial, tampoco en casas rurales, zonas de cocina reservadas para el personal en tiendas, oficinas y otros entornos de trabajo.
- ◆ Antes del primer uso, limpiar todas las partes del producto que puedan estar en contacto con alimentos, procediendo tal como se indica en el apartado de limpieza.
- ◆ Este aparato pueden utilizarlo niños con edad de 8 años y superior y personas con capacidades físicas, sensoriales o mentales reducidas o falta de experiencia y conocimiento, si se les ha dado la supervisión o formación apropiadas respecto al uso del aparato de una manera segura y comprenden los peligros que implica.
- ◆ La limpieza y el mantenimiento a realizar por el usuario no deben realizarlos los niños a menos que sean mayores de 8 años y estén supervisados.
- ◆ Mantener el aparato y su conexión de red fuera del alcance de los niños menores de 8 años.
- ◆ Este aparato no es un juguete. Los niños deben estar bajo vigilancia para asegurar que no jueguen con el aparato.
- ◆ No sumergir el aparato en agua u otro líquido, ni ponerlo bajo el grifo.
- ◆ Si el cable de alimentación esta dañado, debe ser substituido por el fabricante, por su servicio postventa o por personal cualificado similar con el fin de evitar un peligro.
- ◆ PRECAUCIÓN: La superficie del elemento calefactor está sujeta a calor residual después de su uso.
- ◆ Antes de conectar el aparato a la red, verificar que el voltaje indicado en la placa de características coincide con el voltaje de red.
- ◆ Conectar el aparato a una base de toma de corriente

provista de toma de tierra y que soporte como mínimo 10 amperios.

- ◆ La clavija del aparato debe coincidir con la base eléctrica de la toma de corriente. Nunca modificar la clavija. No usar adaptadores de clavija.
- ◆ No forzar el cable eléctrico de conexión. Nunca usar el cable eléctrico para levantar, transportar o desenchufar el aparato.
- ◆ No enrollar el cable eléctrico de conexión alrededor del aparato.
- ◆ No dejar que el cable eléctrico de conexión quede atrapado o arrugado.
- ◆ No dejar que el cable eléctrico de conexión quede en contacto con las superficies calientes del aparato.
- ◆ Verificar el estado del cable eléctrico de conexión. Los cables dañados o enredados aumentan el riesgo de choque eléctrico.
- ◆ No tocar la clavija de conexión con las manos mojadas.
- ◆ No utilizar el aparato con el cable eléctrico o la clavija dañada.
- ◆ Si alguna de las envolturas del aparato se rompe, desconectar inmediatamente el aparato de la red para evitar la posibilidad de sufrir un choque eléctrico.
- ◆ No utilizar el aparato si ha caído, si hay señales visibles de daños, o si existe fuga.
- ◆ No colocar el aparato sobre superficies calientes tales como placas de cocción, quemadores de gas, hornos o similares.
- ◆ El aparato debe utilizarse y colocarse sobre una superficie plana y estable.
- ◆ Este aparato no es adecuado para uso en exteriores.
- ◆ No usar el aparato, en el caso de personas insensibles al calor (ya que el aparato tiene superficies calefactadas).
- ◆ No tocar las partes calefactadas del aparato, ya que pueden provocar quemaduras.

UTILIZACIÓN Y CUIDADOS:

- ◆ No usar el aparato si sus accesorios no están debidamente acoplados.
- ◆ No poner el aparato en marcha sin agua.
- ◆ No usar el aparato si su dispositivo de puesta en marcha/paro no funciona.
- ◆ No mover el aparato mientras está en uso.
- ◆ Respetar los niveles MAX y MIN.
- ◆ Desenchufar el aparato de la red cuando no se use y antes de realizar cualquier operación de limpieza.
- ◆ Desenchufar el aparato de la red antes de rellenar el depósito de agua.

- ◆ Guardar este aparato fuera del alcance de los niños y/o personas con capacidades físicas, sensoriales o mentales reducidas o falta de experiencia y conocimiento
- ◆ No guardar el aparato si todavía está caliente.
- ◆ Utilizar el aparato solamente con agua.
- ◆ Se recomienda el uso de agua mineral embotellada apta para consumo humano.
- ◆ No dejar nunca el aparato conectado y sin vigilancia. Además, ahorrará energía y prolongará la vida del aparato.
- ◆ No sacar el portafiltros cuando se está haciendo café, ya que en este momento se encuentra bajo presión.

SERVICIO

- ◆ Toda utilización inadecuada, o en desacuerdo con las instrucciones de uso, puede comportar peligro, anulando la garantía y la responsabilidad del fabricante.

DESCRIPCIÓN

- A Cable Conexión
- B Depósito de agua
- C Tapa depósito agua
- D Superficie calentatazas
- E Panel de control táctil
- F Botón de marcha/paro
- G1 Botón salida un café
- G2 Botón salida dos cafés
- H Botón calentamiento vapor
- I Tubo vaporizador
- J Portafiltros
- K Cuchara dosificadora
- L Filtro para café molido (1 taza)
- M Filtro para café molido (2 tazas)
- N Nivel bandeja recoge gotas
- O Bandeja recoge-gotas
- P Rejilla bandeja
- R Mando vapor

MODO DE EMPLEO NOTAS PREVIAS AL USO:

- ◆ Asegúrese de que ha retirado todo el material de embalaje del producto.
- ◆ Antes de usar el producto por primera vez, es aconsejable utilizarlo sólo con agua.
- ◆ Antes de usar el producto por primera vez, limpie las partes en contacto con alimentos tal como se describe

en el apartado de Limpieza.

- ◆ Antes de conectar la máquina compruebe que el mando de vapor (R) está cerrado, girando en sentido horario.

Cebado del circuito:

- ◆ Esta simple operación asegura un suministro óptimo y debe ser realizada:
- ◆ En la primera puesta en marcha.
- ◆ Cuando la máquina permanece un largo periodo sin usarse (1 ó 2 semanas).
- ◆ Después de hacer vapor.
- ◆ Cuando el depósito se ha quedado sin agua.
- ◆ Llenar el depósito de agua, procurando no sobrepasar la marca de nivel "MAX".
- ◆ Enchufar el aparato a la red eléctrica.
- ◆ Pulsar el botón de encendido/apagado (F). El piloto ON/OFF se ilumina.
- ◆ Los indicadores del botón de 1 taza de café, el botón de 2 tazas de café y el botón de vapor parpadearán, la máquina comienza a calentarse, hasta que todos los indicadores estén iluminados permanentemente. El precalentamiento se ha completado.
- ◆ Sin poner el portafiltros, (o con el portafiltros puesto, pero sin café), coloque un recipiente a la salida del tubo de vapor (I).
- ◆ Abra el mando de vapor (R) , girando en sentido antihorario.
- ◆ Pulse el botón de café/agua (G2).
- ◆ Saldrá agua por el tubo de vapor. Esperar a que salga aproximadamente una capacidad de una taza.
- ◆ La primera vez que utiliza la máquina, no hay agua en la caldera, por lo que es posible que deba repetir esta operación antes de obtener agua.
- ◆ Para terminar el suministro, como la cantidad de líquido está programada, se parará automáticamente, pero siempre puede parar cuando quiera. Para ello pulse otra vez sobre el botón de café para parar y cerrar el mando de vapor (R) girando en sentido horario.
- ◆ Con eso habrá finalizado la operación de cebado.

Llenado de Agua:

- ◆ Es imprescindible haber llenado previamente el depósito con agua antes de poner el aparato en marcha.
- ◆ Extraer el depósito del aparato.
- ◆ Llenar el depósito con agua fría, respetando el nivel MAX y MIN
- ◆ Volver a colocar el depósito en su alojamiento, asegurándose que esté debidamente encajado.

Llenado de café

- ◆ Extraer el portafiltros.
- ◆ Introducir el filtro para café molido deseado (L ó M) en el portafiltros.
- ◆ Aconsejamos el uso de café de tueste natural. El uso de café torrefacto puede afectar al funcionamiento de la máquina.
- ◆ Llenar con café molido el filtro extraíble, (deben colocarse de 6 a 7gr de café molido por taza de café a preparar).
- ◆ Si desea hacer 1 café, use el cacillo de 1 café y llene el cacillo (1 cucharada), tome la capacidad de la cuchara dosificadora como la medida para un café.
- ◆ Para 2 cafés, utilice el cacillo de 2 cafés y ponga 2 cucharadas.
- ◆ Después, prene ligeramente el café molido con la parte posterior de la cuchara.
- ◆ Acoplar de nuevo el porta-filtros al aparato.
- ◆ Situar el portafiltro en el grupo de café introduciéndolo desde abajo del grupo en la posición de inserción (Candado abierto) y girarlo en el sentido antihorario hasta situarlo en posición de bloqueo.

Uso:

Hacer Espresso

- ◆ Antes de conectar la máquina compruebe que el mando de vapor (R) está cerrado, cerrando en sentido horario.
- ◆ Enchufar el aparato a la red eléctrica.
- ◆ Poner el aparato en marcha, accionando el botón marcha/paro F.
- ◆ Los indicadores de 1 taza de café, de 2 tazas de café y el de vapor parpadearán, la máquina comienza a precalentarse, hasta que todos los indicadores estén iluminados permanentemente. Lo que indica que se ha llegado a la temperatura adecuada.
- ◆ Colocar una o dos tazas precalentadas a la salida del portafiltros.
- ◆ Pulsar el botón de café (G1 ó G2) a la posición de encendido. Se iniciará la salida de infusión de café.
- ◆ El café se detendrá automáticamente cuando se alcance la cantidad estándar.

Para personalizar el volumen de café:

- ◆ Mantenga presionado el botón de 1 taza durante 3 segundos, el botón de 1 taza parpadea, e ingrese al modo de configuración, presione el botón de 1 taza nuevamente para comenzar a dispensar café, cuando se alcance el tiempo especificado, presione el botón de 1 taza para completar la configuración que se puede memorizar por la unidad. Puede hacer lo mismo con el botón 2 tazas.

- ◆ Finalizado el suministro esperar unos segundos, retirar las tazas con el café.
- ◆ Extraer el portafiltro y vaciarlo de los posos.
- ◆ Lavar el portafiltro con agua corriente y secar bien.
- ◆ Verificar que el filtro extraíble esté perfectamente colocado en el portafiltros.
- ◆ Acoplar de nuevo el portafiltros al aparato.

Obtención de agua caliente:

- ◆ Poner el aparato en marcha, accionando el botón marcha/paro (F).
- ◆ Los indicadores de 1 taza de café, de 2 tazas de café y el de vapor parpadearán, la máquina comienza a precalentarse, hasta que todos los indicadores estén iluminados permanentemente. Situación que nos indica que el agua ha llegado a la temperatura adecuada.
- ◆ Coloque un recipiente debajo del vaporizador.
- ◆ Abrir el regulador de vapor (R), girándole hacia la izquierda, en sentido contrario a las agujas del reloj.
- ◆ Pulsar el botón salida de café (G1-G2) , de accionamiento de la bomba.
- ◆ Consulte la operación descrita en la sección de "Hacer Espresso" cuando necesite ajustar el tiempo de trabajo para hacer agua caliente.
- ◆ El agua caliente empezará a salir por el vaporizador.
- ◆ Una vez obtenida la cantidad de agua caliente deseada, pulsar el botón salida de café (G1 ó G2) otra vez, con lo que se parará la bomba.
- ◆ Cerrar el mando (R) girándolo hacia la derecha en sentido como las agujas del reloj.

Obtención de vapor:

- ◆ El vapor sirve para espumar leche para cappuccino, y también puede calentar otros líquidos.
- ◆ Poner el aparato en marcha, accionando el botón interruptor marcha/paro.
- ◆ Los indicadores de 1 taza de café, de 2 tazas de café y el de vapor parpadearán, la máquina comienza a precalentarse, hasta que todos los indicadores estén iluminados permanentemente. Situación que nos indica que el agua ha llegado a la temperatura de adecuada para café.
- ◆ Para vapor, pulsar el botón calentamiento vapor (H) el icono vapor parpadeará y seguirá calentando hasta llegar a temperatura vapor.
- ◆ El icono de vapor se iluminará fijo cuando llegue a esa temperatura, necesaria para la obtención de vapor
- ◆ Nota: Durante la operación, el indicador en el selector de vapor se encenderá y apagará para mantener la

temperatura deseada.

- ◆ Colocar un recipiente debajo del tubo de vapor.
- ◆ Abrir mando vapor girando en sentido antihorario.
- ◆ Empezará a salir solo vapor.
- ◆ Cuando tenga suficiente, cerrar el mando y retirar el recipiente.

IMPORTANTE

- ◆ Cuando acabe de hacer vapor, debe reponer el agua utilizada para hacer vapor y a la vez, recuperar la temperatura (más baja) para hacer café .
- ◆ Para ello, con el grifo de vapor abierto, pulsando previamente el icono vapor para finalizar la función vapor (deja de calentar), pulse el botón café/agua (G1 o G2), con lo que estará activando la bomba.
- ◆ Ponga un recipiente debajo de la salida del tubo.
- ◆ Cuando empiece a salir agua por el tubo de vapor, significa que ha recuperado la temperatura de café y rellenado la caldera. Ya puede cerrar el mando vapor y pulsar el botón (G1 o G2) a la posición reposo.

Función auto-desconexión:

- ◆ Las máquinas BLACK+DECKER están diseñadas para ahorrar energía.
- ◆ Con esa finalidad, al cabo de unos minutos, de la última operación realizada, el aparato se apaga automáticamente.
- ◆ Para volver al funcionamiento normal simplemente deberá conectar el botón marcha (F).

Una vez finalizado el uso del aparato:

- ◆ Parar el aparato, presionando el botón marcha/paro unos segundos.
- ◆ Desenchufar el aparato de la red eléctrica.
- ◆ Retirar el agua del depósito.
- ◆ Limpiar el aparato.

LIMPIEZA

a. Limpieza básica

- ◆ Desenchufar el aparato de la red y dejarlo enfriar antes de iniciar cualquier operación de limpieza.
- ◆ Limpiar el aparato con un paño húmedo impregnado con unas gotas de detergente y secarlo después.
- ◆ No utilizar disolventes, ni productos con un factor pH ácido o básico como la lejía, ni productos abrasivos, para la limpieza del aparato.
- ◆ No deje entrar agua u otro líquido por las aberturas de

ventilación para evitar daños en las partes operativas interiores del aparato.

- ◆ Ninguna de las partes de este aparato es apta para su limpieza en el lavavajillas.
- ◆ A continuación, seque todas las piezas antes de su montaje y guardado.

b. Limpieza de vaporizador

- ◆ **ATENCIÓN!** Porque todas las piezas del vaporizador pueden estar muy calientes
- ◆ Es aconsejable limpiar el tubo vaporizador después de hacer vapor para prevenir depósitos de suciedad y antes de apagar la máquina
- ◆ Para ello, saque la funda del vaporizador,
- ◆ Ponga un vaso con un poco de agua, bajo el tubo y sumerja el tubo en el agua
- ◆ Haga salir agua caliente por el tubo, siguiendo las instrucciones "Obtención de agua caliente"
- ◆ Use un trapo para secar el tubo y vuelva a poner la funda
- ◆ Caso de que no salga vapor puede ser porque leche seca tapone la salida. En ese caso, con cuidado, utilice una aguja para desembosar la punta del vaporizador
- ◆ Una vez limpio, enjuague con agua corriente del grifo y vuelva a montarlo. Vuelve a vaporizar

Tratamiento de las incrustaciones calcáreas:

- ◆ Para un perfecto funcionamiento del aparato, éste deberá estar libre de incrustaciones de cal o magnesio, originadas por el uso de aguas de alta dureza.
- ◆ Para evitar este tipo de problema se recomienda el uso de aguas de baja mineralización calcárea o magnésica.
- ◆ En todo caso, si no es posible el uso del tipo de agua recomendado anteriormente, deberá proceder periódicamente a un tratamiento de descalcificación del aparato, con una periodicidad de:
- ◆ Cada 6 semanas si el agua es "muy dura".
- ◆ Cada 12 semanas si el agua es "dura".
- ◆ Para ello recomendamos el uso de un producto específico antical para este tipo de aparato, de venta en tiendas especializadas y servicios técnicos autorizados.
- ◆ No se recomiendan soluciones caseras, tal como el uso de vinagre, en los tratamientos de descalcificación del aparato.

ANOMALÍAS Y REPARACIÓN

- ◆ En caso de detectar cualquier anomalía consulte la siguiente tabla:

Anomalia	Causa posible	Soluciones
Sale agua por el lateral del portafiltros	El portafiltros no está colocado correctamente. El borde del cacillo está cubierto de café. El grupo de erogación está sucio.	Ver apartado "llenado de café". Limpiar el cacillo alrededor del borde y limpiar el grupo de erogación de café. Limpiar con un trapo húmedo.
No sale café	No hay agua El depósito de agua no está correctamente colocado. Los agujeros del cacillo están atascados, el café está molido demasiado fino o se ha presionado en exceso.	Rellenar el depósito de agua. Comprobar que el depósito está colocado correctamente Vaciar el cacillo y limpiar con agua. Limpiar el grupo de erogación con un trapo húmedo. Recargar de nuevo el cacillo y presionar el café ligeramente.
El café sale lentamente o gota a gota	El café está demasiado molido o está demasiado prensado.	Asegurarse que el tamaño del molido es el adecuado y que no se ha presionado en exceso.
El café sale sin crema	El café que se ha utilizado, está pasado o se ha secado. El café no se ha prensado lo suficiente. El molido del café es demasiado grueso.	Usar café fresco y una vez abierto conservar en un envase hermético. Prensar firmemente el café. Moler el café más fino.
El café sale demasiado rápido	El café está molido muy grueso. No se ha puesto suficiente café en el cacillo. El café no se ha prensado lo suficiente.	Moler el café más fino. Asegurarse que se ha puesto la cantidad correcta de café en el cacillo. Prensar más el café.
No sale vapor por el tubo vaporizador	El tubo está atascado	Limpiar el tubo vaporizador con un trapo húmedo para extraer los posibles restos de leche que se han secado y desbozar los agujeros con ayuda de una aguja. Pulsar el interruptor correspondiente y extraer "agua caliente" hasta que salga con fuerza y de forma continua.

Para las versiones EU del producto y/o en el caso de que en su país aplique:

Ecología y reciclabilidad del producto

- ◆ Los materiales que constituyen el envase de este aparato, están integrados en un sistema de recogida, clasificación y reciclado de los mismos. Si desea deshacerse de ellos, puede utilizar los contenedores públicos apropiados para cada tipo de material.
- ◆ El producto está exento de concentraciones de sustancias que se puedan considerar dañinas para el medio ambiente.



Este símbolo significa que, si desea deshacerse del producto, una vez transcurrida la vida del mismo, debe depositarlo por los medios adecuados a manos de un gestor de residuos autorizado para la recogida selectiva de Residuos de Aparatos Eléctricos y Electrónicos (RAEE).

Este aparato cumple con la Directiva 2014/35/EU de Baja Tensión, con la Directiva 2014/30/EU de Compatibilidad Electromagnética, con la Directiva 2011/65/EU sobre restricciones a la utilización de determinadas sustancias peligrosas en aparatos eléctricos y electrónicos y con la Directiva 2009/125/EC sobre los requisitos de diseño ecológico aplicable a los productos relacionados con la energía.

GARANTÍA Y ASISTENCIA TÉCNICA

Este producto goza del reconocimiento y protección de la garantía legal de acuerdo con la legislación vigente.

Para hacer valer sus derechos o intereses, debe acudir a cualquiera de nuestros servicios oficiales de asistencia técnica.

Puede encontrar el más cercano accediendo al siguiente enlace web: <http://www.2helpu.com/>

También puede solicitar información relacionada poniéndose en contacto con nosotros (consulte la última página del manual).

Puede descargar este manual de instrucciones y sus actualizaciones en <http://www.2helpu.com/>

MÁQUINA DE CAFÉ BXC0850E

Caro cliente:

Obrigado por ter adquirido um eletrodoméstico da marca BLACK+DECKER.

A sua tecnologia, design e funcionalidade, aliados às mais rigorosas normas de qualidade, garantir-lhe-ão uma total satisfação durante muito tempo.

CONSELHOS E AVISOS DE SEGURANÇA

- ◆ Leia atentamente este manual de instruções antes de ligar o aparelho e guarde-o para consultas futuras. A não observância e cumprimento destas instruções pode resultar em acidente.
- ◆ Este aparelho foi concebido exclusivamente para uso doméstico, não para uso profissional ou industrial. Não foi projetado para ser utilizado por hóspedes de estabelecimentos de alojamento do tipo “bed and breakfast”, hotéis, motéis e outros tipos de ambientes residenciais, incluindo casas rurais ou áreas de descanso para o pessoal de lojas, escritórios e outros ambientes de trabalho.
- ◆ Antes da primeira utilização, limpe todas as partes do aparelho que possam estar em contacto com os alimentos, procedendo como se indica no capítulo de limpeza.
- ◆ Este aparelho pode ser utilizado por pessoas não familiarizadas com a sua utilização, pessoas incapacitadas ou crianças a partir dos 8 anos, desde que o façam sob supervisão ou tenham recebido formação sobre a utilização segura do aparelho e compreendam os perigos que este acarreta.
- ◆ As crianças não devem realizar operações de limpeza ou manutenção do aparelho, a menos que sejam maiores de 8 anos e se encontrem sob a supervisão de um adulto.
- ◆ Guarde este aparelho fora do alcance de crianças menor de 8 anos.
- ◆ Este aparelho não é um brinquedo. As crianças devem ser vigiadas para garantir que não brincam com o aparelho.
- ◆ Nunca mergulhe o aparelho dentro de água ou em qualquer outro líquido, nem o coloque debaixo da torneira.
- ◆ Se o cabo de alimentação estiver danificado, deve ser substituído pelo fabricante, pelo serviço pós-venda ou por pessoal semelhante qualificado com o fim de evitar riscos.
- ◆ **PRECAUÇÃO:** A superfície do elemento de aquecimento retém calor residual após a sua utilização.
 - ◆ Antes de ligar o aparelho à corrente, verifique se a tensão indicada na placa de características corresponde à tensão da rede.
 - ◆ Ligue o aparelho a uma tomada com ligação à terra e com capacidade mínima de 10 amperes.

- ◆ A ficha do aparelho deve coincidir com a tomada de corrente elétrica. Nunca modifique a ficha. Não use adaptadores de ficha.
- ◆ Não force o cabo elétrico. Nunca utilize o cabo de alimentação para levantar, transportar ou desligar o aparelho da corrente.
- ◆ Não enrole o cabo no aparelho.
- ◆ Não deixe que o cabo elétrico fique preso ou dobrado.
- ◆ Evite que o cabo entre em contacto com as superfícies quentes do aparelho.
- ◆ Verifique o estado do cabo de elétrico. Os cabos danificados ou entrelaçados aumentam o risco de choque elétrico.
- ◆ Não toque na ficha de ligação com as mãos molhadas.
- ◆ Não utilize o aparelho se tiver o cabo elétrico ou a ficha danificados.
- ◆ Se algum dos revestimentos do aparelho se partir, desligue imediatamente o aparelho da corrente para evitar a possibilidade de sofrer um choque elétrico.
- ◆ Não utilize o aparelho se este caiu e se existirem sinais visíveis de danos ou de fuga.
- ◆ Não coloque o aparelho em cima de superfícies quentes tais como placas elétricas, queimadores a gás, fornos, etc.
- ◆ O aparelho deve ser utilizado e colocado sobre uma superfície plana e estável.
- ◆ Este aparelho não deve ser utilizado no exterior.
- ◆ As pessoas insensíveis ao calor não devem usar o aparelho (já que este tem superfícies aquecidas).
- ◆ Não toque nas partes quentes do aparelho, uma vez que podem provocar queimaduras graves.

UTILIZAÇÃO E CUIDADOS:

- ◆ Não utilize o aparelho se os acessórios não estiverem devidamente montados.
- ◆ Não coloque o aparelho em funcionamento sem água.
- ◆ Não utilize o aparelho se o dispositivo de ligar/desligar não funcionar.
- ◆ Não mova o aparelho enquanto estiver em funcionamento.
- ◆ Respeite os níveis MÁXIMO e MÍNIMO.
- ◆ Desligue o aparelho da corrente elétrica quando não estiver a ser utilizado e antes de iniciar qualquer operação de limpeza.
- ◆ Desligue o aparelho da corrente elétrica antes de encher o depósito de água.
- ◆ Guarde o aparelho fora do alcance das crianças e de pessoas com capacidades físicas, sensoriais ou mentais

- reduzidas, ou com falta de experiência e conhecimento.
- ◆ Não guarde o aparelho se ainda estiver quente.
- ◆ Utilize apenas água no aparelho.
- ◆ Recomenda-se o uso de água mineral engarrafada própria para consumo humano.
- ◆ Nunca deixe o aparelho ligado sem vigilância. Além disso, poupará energia e prolongará a vida do aparelho.
- ◆ Não retire o suporte do filtro enquanto estiver a fazer café, já que nesse momento este encontra-se sob pressão.

SERVIÇO

- ◆ Qualquer utilização inadequada ou em desacordo com as instruções de utilização pode ser perigosa e anula a garantia e a responsabilidade do fabricante

DESCRIÇÃO

- A Cabo de ligação
- B Depósito de água
- C Tampa do depósito de água
- D Superfície para aquecer as chávenas
- E Painel de controlo tátil
- F Botão de ligar/desligar
- G1 Botão de saída de um café
- G2 Botão de saída de dois cafés
- H Botão de aquecimento de vapor
- I Tubo de saída de vapor
- J Suporte do filtro
- K Colher doseadora
- L Filtro para café moído (1 chávena)
- M Filtro para café moído (2 chávenas)
- N Nível bandeja recolhe-gotas
- O Bandeja recolhe-gotas
- P Grelha da bandeja
- R Regulador de vapor

MODO DE UTILIZAÇÃO NOTAS PARA ANTES DA UTILIZAÇÃO:

- ◆ Assegure-se de que retirou todo o material de embalagem do produto.
- ◆ Antes de usar o produto pela primeira vez, é aconselhável utilizá-lo só com água.
- ◆ Antes de utilizar o produto pela primeira vez, limpe as partes em contacto com os alimentos tal como se descreve no capítulo de limpeza.

- ◆ Antes de ligar a máquina verifique se o comando de Vapor (R) está fechado rodando-o no sentido dos ponteiros do relógio.

Inicialização do circuito:

- ◆ Esta simples operação assegura um fornecimento ideal e deve ser realizada:
- ◆ Quando colocar o aparelho em funcionamento pela primeira vez;
- ◆ Quando a máquina estiver algum tempo sem ser usada (1 ou 2 semanas)
- ◆ Depois de fazer vapor.
- ◆ Quando o depósito tiver ficado sem água.
- ◆ Encha o depósito de água respeitando o nível MAX .
- ◆ Ligue o aparelho à corrente elétrica.
- ◆ Prima o botão de ligar/desligar (F). O indicador luminoso (ON/OFF) acende-se.
- ◆ Os indicadores do botão de 1 chávena de café, do botão de 2 chávenas de café e do botão de vapor acendem com luz intermitente e a máquina inicia o aquecimento até que, finalmente, todos os indicadores ficam com luz fixa. O preaquecimento terminou.
- ◆ -Sem colocar o suporte de filtros, (ou com o suporte de filtros colocado, mas sem café), coloque um recipiente à saída do tubo de vapor (I).
- ◆ Abra o regulador de vapor (R) , rodando-o no sentido contrário ao dos ponteiros do relógio
- ◆ Prima o botão de café/água(G2).
- ◆ Irá sair água pelo tubo de vapor. Aguarde até sair a quantidade aproximada de uma chávena.
- ◆ Da primeira vez que utilizar a máquina, não há qualquer água na caldeira, pelo que é possível que tenha de repetir esta operação antes de começar a sair água.
- ◆ Para parar o fornecimento, como a quantidade de líquido já está programada, este para automaticamente, mas pode sempre pará-lo quando quiser. Para isso, prima novamente o botão de café para parar e feche o seletor de vapor (R) rodando-o no sentido contrário ao dos ponteiros do relógio.
- ◆ Com este procedimento termina a operação de inicialização.

Enchimento com Água:

- ◆ É imprescindível encher previamente o depósito com água antes de colocar o aparelho em funcionamento.
- ◆ Retire o depósito do aparelho.
- ◆ Encha o depósito respeitando o nível MAX-MIN
- ◆ Volte a colocar o depósito no respetivo alojamento, assegurando-se de que fica devidamente encaixado.

ENCHIMENTO COM CAFÉ

- ◆ Retire o suporte do filtro.
- ◆ Introduza o filtro para o café moído pretendido (L ou M) no suporte do filtro.
- ◆ Aconselhamos utilizar café de torrefação leve. A utilização de café de torrefação intensa pode afetar o funcionamento da máquina
- ◆ Encha o filtro amovível com café moído (devem colocar-se 6 a 7g de café moído por chávena de café a preparar).
- ◆ Se desejar tirar 1 café, utilize a medida para 1 café e encha a medida (1 colher), utilize a capacidade da colher doseadora como sendo a medida para um café.
- ◆ Para tirar 2 cafés, utilize a medida para 2 cafés e ponha 2 colheres de café.
- ◆ Em seguida, prima ligeiramente o café moído com a parte posterior da colher.
- ◆ Encaixe novamente o suporte do filtro no aparelho.
- ◆ -Encaixe o suporte do filtro no conjunto de distribuição de café, pela parte de baixo, na posição de inserção (cadeado aberto) e rode-o no sentido contrário ao dos ponteiros do relógio, até ficar na posição de bloqueio.

Utilização:

Tirar Café Expresso

- ◆ Antes de ligar a máquina verifique se o comando de Vapor (R) está fechado, rodando-o no sentido dos ponteiros do relógio.
- ◆ Ligue o aparelho à corrente elétrica.
- ◆ Coloque o aparelho em funcionamento, acionando o botão de ligar/desligar F.
- ◆ Os indicadores de 1 chávena de café, de 2 chávenas de café e de vapor acendem com luz intermitente e a máquina inicia o aquecimento até que, finalmente, todos os indicadores ficam com luz fixa. Isto indica que a água chegou à temperatura adequada.
- ◆ Coloque uma ou duas chávenas pré-aquecidas à saída do porta-filtros.
- ◆ Prima o botão de café (G1 ou G2) para a posição de ligado. A infusão de café começa a sair.
- ◆ O café para automaticamente quando é alcançada a quantidade standard.

Para personalizar o volume de café:

- ◆ Mantenha premido o botão de 1 chávena durante 3 segundos, o botão de 1 chávena fica a piscar e, em seguida, volte ao modo de configuração premindo novamente o botão de 1 chávena para começar a tirar café; quando for atingido o volume desejado, prima o

botão de 1 chávena para completar a configuração e memorizar por unidade. Pode fazer o mesmo com o botão de 2 chávenas.

- ◆ Uma vez terminado o fornecimento, aguarde alguns segundos e retire as chávenas com o café.
- ◆ Retire o suporte do filtro e esvazie o seu depósito.
- ◆ Lave o suporte do filtro com água corrente e seque-o bem.
- ◆ Verifique se o filtro amovível está bem colocado no suporte do filtro.
- ◆ Encaixe novamente o suporte do filtro no aparelho.

Tirar água quente:

- ◆ Coloque o aparelho em funcionamento, acionando o botão de ligar/desligar (F).
- ◆ Os indicadores do botão de 1 chávena de café, do botão de 2 chávenas de café e do botão de vapor acendem com luz intermitente e a máquina inicia o preaquecimento até que, finalmente, todos os indicadores ficam com luz fixa. Esta situação indica que a água chegou à temperatura adequada.
- ◆ Coloque um recipiente por baixo da saída de vapor.
- ◆ Abra o regulador de vapor (R), rodando-o para a esquerda, no sentido contrário ao dos ponteiros do relógio.
- ◆ Prima o botão de saída de café (G1-G2), para acionar a bomba.
- ◆ Consulte a operação descrita na secção de "Tirar Café Expresso" quando necessitar de ajustar o tempo de trabalho para tirar água quente.
- ◆ A água quente começará a sair pelo vaporizador.
- ◆ Uma vez obtida a quantidade de água quente desejada, prima novamente o botão de saída de café (G1 ó G2) outra vez, para parar a bomba.
- ◆ Feche o regulador de vapor (R), rodando-o para a direita, no sentido dos ponteiros do relógio.

Tirar vapor:

- ◆ O vapor serve para obter espuma de leite para fazer cappuccinos e também pode aquecer outros líquidos.
- ◆ Coloque o aparelho em funcionamento, acionando o botão interruptor de ligar/desligar.
- ◆ Os indicadores do botão de 1 chávena de café, do botão de 2 chávenas de café e do botão de vapor acendem com luz intermitente e a máquina inicia o preaquecimento até que, finalmente, todos os indicadores ficam com luz fixa. Esta situação indica que a água chegou à temperatura adequada para tirar café.
- ◆ Para vapor, prima o botão de aquecimento de vapor (H), o ícone de vapor fica a piscar e continuará a piscar até chegar à temperatura de vapor.

- ◆ O ícone de vapor acende com luz fixa quando chegar à temperatura necessária para se obter vapor
- ◆ Nota: Durante a operação, o indicador do seletor de vapor irá acender e apagar várias vezes para manter la temperatura desejada.
- ◆ Coloque um recipiente por baixo do tubo de vapor.
- ◆ Abra o regulador de vapor rodando-o no sentido contrário ao dos ponteiros do relógio
- ◆ Começará a sair apenas vapor.
- ◆ Quando tiver vapor suficiente, feche o regulador e retire o recipiente.

IMPORTANTE

- ◆ Sempre que terminar de tirar vapor, reponha a água utilizada no vapor e deixe arrefecer até à temperatura utilizada para fazer café (mais baixa).
- ◆ Para isso, com a saída de vapor aberta, e tendo premido previamente o ícone de vapor para finalizar a função de vapor (deixar de aquecer), prima o botão de café/água (G1 ou G2), para ativar a bomba.
- ◆ Coloque um recipiente por baixo da saída do tubo.
- ◆ Quando começar a sair água pelo tubo de vapor, isso significa que se alcançou a temperatura para fazer café e que a caldeira encheu. Já pode fechar o regulador de vapor e colocar o botão (G1 o G2) na posição de repouso.

Função de desligamento automático:

- ◆ As máquinas BLACK+DECKER estão projetadas para poupar energia.
- ◆ Com essa finalidade, passados alguns minutos após a última operação realizada, o aparelho desliga-se automaticamente.
- ◆ Para voltar ao funcionamento normal, prima simplesmente o botão de ligar/desligar (F).

Uma vez concluída a utilização do aparelho:

- ◆ Pare o aparelho, carregando no botão de ligar/desligar durante alguns segundos.
- ◆ Desligue o aparelho da corrente elétrica.
- ◆ Retire a água do depósito.
- ◆ Limpe o aparelho.

LIMPEZA

a. Limpeza básica

- ◆ Desligue o aparelho da corrente elétrica e deixe-o arre-

fezer antes de iniciar qualquer operação de limpeza.

- ◆ Limpe o aparelho com um pano húmido com algumas gotas de detergente e seque-o de seguida.
- ◆ Não utilize solventes, produtos com um fator pH ácido ou básico como a lixívia, nem produtos abrasivos para a limpeza do aparelho.
- ◆ Não deixe entrar água ou qualquer outro líquido pelas aberturas de ventilação, para evitar danos nas partes operativas interiores do aparelho.
- ◆ Nenhuma das partes deste aparelho pode ir à máquina de lavar louça.
- ◆ Em seguida, seque todas as peças antes de as montar e guardar.

b. Limpeza do vaporizador

- ◆ **ATENÇÃO:** Porque todas as peças do vaporizador poderão estar muito quentes.
- ◆ É aconselhável limpar o tubo após tirar vapor para prevenir depósitos de sujidade e antes de desligar a máquina
- ◆ Para isso, retire a cobertura do vaporizador.
- ◆ Coloque um copo com um pouco de água por baixo do tubo mergulhe o tubo dentro da água.
- ◆ Deixe sair a água quente pelo tubo, seguindo as instruções “Tirar água quente”
- ◆ Utilize um pano para secar o tubo e torne a colocar o tubo de revestimento
- ◆ Caso não saia vapor, tal poderá dever-se a resíduos secos de leite na abertura da saída do tubo. Nesse caso, com cuidado, utilize uma agulha para desentupir a saída do tubo de vapor.

- ◆ Uma vez limpo, enxagúe com água corrente da torneira e torne a montá-lo. Volte a tirar vapor

Tratamento anticalcário:

- ◆ Para o perfeito funcionamento do aparelho, este deverá estar livre de incrustações de calcário ou magnésio originadas pelo uso de águas de dureza elevada.
- ◆ Para evitar este tipo de problema recomenda-se a utilização de água com baixa mineralização calcária ou magnésica.
- ◆ Em todo o caso, se não for possível a utilização do tipo de água recomendado anteriormente deverá proceder periodicamente a um tratamento de descalcificação do aparelho, com uma periodicidade de:
 - ◆ A cada 6 semanas se a água for “muito dura”.
 - ◆ A cada 12 semanas se a água for “dura”.
- ◆ Para a descalcificação, recomendamos o produto específico anticalcário, à venda em lojas especializadas e nos serviços técnicos autorizados.
- ◆ Não se recomendam soluções caseiras, tais como o uso de vinagre, nos tratamentos de descalcificação do aparelho.

ANOMALIAS E REPARAÇÃO

- ◆ Em caso de avaria leve o aparelho a um Serviço de Assistência Técnica autorizado. Não tente desmontar ou reparar o aparelho, já que tal poderá acarretar perigos.
- ◆ No caso de detetar algum problema, consulte a seguinte tabela:

Anomalia	Causa possível	Soluções
Sai água pela parte lateral do suporte do filtro	O porta-filtros não está colocado corretamente. O rebordo do doseador está coberto de café. O conjunto de distribuição de café está sujo.	Consulte a secção "Enchimento com café" Limpe o rebordo do doseador e o conjunto de distribuição do café. Limpe com um pano húmido.
Não sai café	Não há água O depósito de água não está corretamente colocado. As saídas da medida de café estão obstruídas, o café foi moído em demasia e está muito fino, ou foi excessivamente compactado.	Encha o depósito com água Verifique se o depósito está colocado corretamente Esvazie o distribuidor e lave-o com água. Limpe o conjunto de distribuição com um pano húmido. Encha novamente o doseador e prene levemente o café.
O café sai lentamente ou gota a gota	O café está demasiado moído ou demasiado prensado.	Verifique se o grau de moagem é o adequado e se não foi demasiado prensado.
O café sai sem creme	O café já foi utilizado, está fora de prazo ou secou. O café não foi suficiente prensado. O grau de moagem do café é demasiado grosso.	Utilize café fresco e, uma vez aberto, conserve-o num recipiente hermético. Prene bem o café. Utilize um grau de moagem mais fino.
O café sai demasiado rápido	O grau de moagem do café é demasiado grosso Não se pôs café suficiente na medida. O café não foi suficiente prensado.	Utilize um grau de moagem mais fino. Verifique se se pôs a quantidade correta de café no distribuidor. Prene bem o café.
Não sai vapor pelo tubo de vapor	O tubo está obstruído	Limpe o tubo de vapor com um pano húmido para remover possíveis restos de leite que possam ter secado e, com a ajuda de uma agulha, desobstrua a saída do tubo. Prima o botão de vapor e deixe sair água quente até que saia com força e de maneira contínua.

Para as versões EU do produto e/ou caso aplicável no seu país:

ECOLOGIA E RECICLAGEM E DO PRODUTO

- ◆ Os materiais que constituem a embalagem deste aparelho estão integrados num sistema de recolha, classificação e reciclagem. Se desejar eliminá-los, utilize os contentores de reciclagem colocados à disposição para cada tipo de material.
- ◆ O produto está isento de concentrações de substâncias que possam ser consideradas nocivas para o ambiente.



Este símbolo significa que se desejar desfazer-se do produto depois de terminada a sua vida útil, deve entregá-lo através dos meios adequados ao cuidado de um gestor de resíduos autorizado para a recolha seletiva de

Resíduos de Equipamentos Elétricos e Eletrónicos (REEE).

Este aparelho cumpre a Diretiva 2014/35/EU de Baixa Tensão, a Diretiva 2014/30/EU de Compatibilidade Eletromagnética, a Diretiva 2011/65/EU sobre restrições à utilização de determinadas substâncias perigosas em aparelhos elétricos e eletrónicos e a Diretiva 2009/125/EC sobre os requisitos de design ecológico aplicável aos produtos relacionados com a energia

GARANTIA E ASSISTÊNCIA TÉCNICA

Este produto goza do reconhecimento e proteção da garantia legal em conformidade com a legislação em vigor. Para fazer valer os seus direitos ou interesses, deve recorrer sempre aos nossos serviços oficiais de assistência técnica.

Poderá encontrar o mais próximo de si através do seguinte website: <http://www.2helpu.com/>.

Também pode solicitar informações relacionadas, pondo-se em contacto connosco (consulte a última página do manual).

Pode fazer o download deste manual de instruções e suas atualizações em <http://www.2helpu.com/>.

KOFFIEMACHINE BXCO850E

Geachte klant:

We danken u voor de aankoop van een product van het merk BLACK+DECKER.

De technologie, het ontwerp en de functionaliteit van dit product, dat voldoet aan de meest strikte kwaliteitseisen, staan garant voor langdurige tevredenheid.

VEILIGHEIDSADVIES EN WAARSCHUWINGEN

- ◆ Neem deze gebruiksaanwijzing aandachtig door voordat u het apparaat in gebruik neemt en bewaar haar voor toekomstig gebruik. Het niet opvolgen en naleven van deze instructies kan een ongeluk tot gevolg hebben.
- ◆ Dit apparaat is alleen bedoeld voor huishoudelijk gebruik, niet voor professioneel of industrieel gebruik. Dit apparaat is uitsluitend bedoeld voor huishoudelijk gebruik, niet voor professioneel of industrieel gebruik. Het werd niet ontworpen om in horecazaken, bed&breakfasts, hotels, motels, andere residenties zoals vakantiehuisjes, keukens voor winkelpersoneel, kantoren of andere werkomgevingen te gebruiken.
- ◆ Voor het eerste gebruik moet u alle delen van het apparaat die met voedingsmiddelen in aanraking kunnen komen schoonmaken, zoals aangegeven in het hoofdstuk schoonmaken.
- ◆ Dit toestel mag, onder toezicht, door personen met lichamelijke, zintuiglijke of geestelijke beperkingen, of met een gebrek aan ervaring en kennis, of kinderen vanaf 8 jaar gebruikt worden, mits zij voldoende informatie ontvangen hebben om het toestel op een veilige manier te kunnen gebruiken en de gevaren kennen.
- ◆ Het schoonmaken en het onderhoud van het toestel mag enkel door kinderen ouder dan 8 jaar en steeds onder toezicht van een volwassene gebeuren.
- ◆ Houd het toestel en de aansluiting op het net altijd buiten het bereik van kinderen jonger dan 8 jaar.
- ◆ Dit apparaat is geen speelgoed. Houd toezicht op kinderen om er zeker van te zijn dat ze niet met het apparaat spelen.
- ◆ Dompel het apparaat niet onder in water of een andere vloeistof en houd het niet onder de kraan.
- ◆ Als de voedingskabel beschadigd is, moet het door de fabrikant, zijn klantenservice of vergelijkbaar gekwalificeerd personeel vervangen worden, om eventuele risico's te vermijden.
- ◆ LET OP: Het oppervlak van het verwarmingselement kan lang warm blijven na gebruik.

◆ Controleer dat de spanningsgegevens op het typeplaatje

overeenkomen met die van het stroomnet alvorens het apparaat erop aan te sluiten.

- ◆ Sluit het toestel aan op een stopcontact met randaarde en een capaciteit van tenminste 10 Ampère.
- ◆ De stekker van het apparaat moet geschikt zijn voor het stopcontact. Wijzig de stekker niet. Gebruik geen adapters.
- ◆ Forceer het stroomsnoer niet. Gebruik het snoer nooit om het apparaat op te tillen, te transporteren of om de stekker uit het stopcontact te trekken.
- ◆ Wikkel het stroomsnoer niet om het apparaat.
- ◆ Zorg ervoor dat het stroomsnoer niet bekneld of geknikt wordt.
- ◆ Zorg ervoor dat het stroomsnoer niet in contact komt met de hete oppervlakken van het apparaat.
- ◆ Controleer de staat van de elektriciteitskabel. Beschadigde kabels of kabels die in de war zijn vergroten het risico van elektrische schokken.
- ◆ Raak de stekker niet met natte handen aan.
- ◆ Gebruik het apparaat niet wanneer de voedingskabel of de stekker beschadigd is.
- ◆ Als een deel van de behuizing beschadigd wordt moet u de stekker van het apparaat onmiddellijk uit het stopcontact trekken om een elektrische schok te voorkomen.
- ◆ Gebruik het apparaat niet als het is gevallen, wanneer er zichtbare tekenen van schade zijn of wanneer het lekt.
- ◆ Plaats het apparaat niet op hete oppervlakken zoals kookplaten, gasbranders, ovens of dergelijke.
- ◆ Plaats het apparaat voor gebruik op een vlak en stabiel oppervlak.
- ◆ Dit apparaat is niet geschikt voor gebruik buitenshuis.
- ◆ Personen die geen warmte voelen moeten het apparaat niet gebruiken (aangezien het apparaat oppervlakken heeft die heet worden).
- ◆ Raak de verhitte delen van het toestel niet aan, aangezien daardoor ernstige brandwonden kunnen ontstaan.

GEBRUIK EN ONDERHOUD:

- ◆ Gebruik het apparaat niet wanneer de accessoires niet correct aangesloten zijn.
- ◆ Zet het apparaat niet aan zonder water.
- ◆ Gebruik het apparaat niet als de aan/uit knop niet werkt.
- ◆ Verplaats het apparaat niet terwijl het in gebruik is.
- ◆ Respecteer het MAXIMUM en MINIMUM-niveau.
- ◆ Trek de stekker uit het stopcontact wanneer het apparaat niet in gebruik is en alvorens het te reinigen.
- ◆ Trek de stekker uit het stopcontact alvorens het waterreservoir te vullen.

- ◆ Houd dit apparaat buiten bereik van kinderen en/of personen met lichamelijke, zintuiglijke of geestelijke beperkingen, of met een gebrek aan ervaring en kennis
- ◆ Berg het apparaat niet op wanneer het nog warm is.
- ◆ Gebruik het apparaat uitsluitend met water.
- ◆ Het wordt aanbevolen gebotteld mineraalwater te gebruiken dat geschikt is voor menselijke consumptie.
- ◆ Laat het apparaat nooit zonder toezicht aan staan. U bespaart hierdoor energie en verlengt tevens de levensduur van het apparaat.
- ◆ Verwijder de filterhouder niet terwijl de koffie gezet wordt, aangezien het apparaat op dat moment onder druk staat.

REPARATIES:

- ◆ Onjuist gebruik of een gebruik dat niet overeenstemt met de gebruiksaanwijzing kan gevaar inhouden en doet de garantie en de aansprakelijkheid van de fabrikant teniet.

BESCHRIJVING

- A Voedingskabel
- B Waterreservoir
- C Deksel waterreservoir
- D Oppervlak voor het verwarmen van koppen
- E Aanraakscherm voor bediening
- F Aan-/uitschakelaar
- G1 Knop voor een kop koffie
- G2 Knop voor twee koppen koffie
- H Knop stoomproductie
- I Stoompijpje
- J Filterhouder
- K Maatlepel
- L Filter voor gemalen koffie (1 kopje)
- M Filter voor gemalen koffie (2 koppen)
- N Niveau druppelbak
- O Lekbak
- P Rooster lade
- R Stoomschakelaar

GEBRUIKSAANWIJZING

OPMERKINGEN VOORAFGAAND AAN HET GEBRUIK:

- ◆ Controleer dat al het verpakkingsmateriaal van het product verwijderd is.
- ◆ Bij het eerste gebruik van het product is het raadzaam

om het apparaat eenmaal alleen met water te laten werken.

- ◆ Reinig voor het eerste gebruik alle delen van het apparaat die met voedingsmiddelen in aanraking kunnen komen, zoals beschreven in het onderdeel Reiniging.
- ◆ Controleer voor gebruik dat de stoomknop (R) dicht is, dorr hem rechtsom te draaien.
- ◆ Preparatie van het circuit:
- ◆ Deze eenvoudige procedure garandeert een optimale werking en moet verricht worden:
- ◆ Bij de eerste ingebruikname.
- ◆ Wanneer het toestel gedurende een lange periode (1 of 2 weken) niet gebruikt wordt.
- ◆ Na het maken van stoom.
- ◆ Wanneer het waterreservoir leeg is.
- ◆ Vul het waterreservoir, erop lettend dat het aangegeven "MAX" niveau niet overschreden wordt.
- ◆ Steek de stekker in het stopcontact.
- ◆ Druk op de aan/uit knop (F). Het controlelampje (ON/OFF) gaat aan.
- ◆ De controlelampjes van de knop voor 1 kop koffie, 2 koppen koffie en de stoomknop knipperen en het apparaat begint op te warmen, totdat alle controlelampjes continu branden. Het voorverwarmen is voltooid.
- ◆ Plaats een kom onder de uitgang van het stoompijpe (I) zonder de filterhouder te plaatsen (of plaats de filterhouder, maar zonder koffie).
- ◆ Open de stoomregelaar (R) door haar linksom te draaien.
- ◆ Druk op de knop koffie/water (G2).
- ◆ Er komt water uit het stoompijpe. Wacht tot ongeveer een kop heet water is geproduceerd.
- ◆ Wanneer u het apparaat voor het eerst gebruikt, zit er geen water in de ketel, zodat u deze handeling misschien een aantal malen moet herhalen voordat er water geproduceerd wordt.
- ◆ Aangezien de hoeveelheid water geprogrammeerd is, stopt de waterproductie automatisch, maar desondanks kunt u de wterproducties altijd onderbreken. Druk daarvoor nogmaals op de koffieknop om te stoppen en sluit de stoomknop (R) door hem rechtsom te draaien.
- ◆ Hierna is het circuit met water gevuld.

- ◆ Plaats het reservoir opnieuw in het koffiezetapparaat en zorg ervoor dat het goed vast zit.

VULLEN MET KOFFIE

- ◆ Verwijder de filterhouder.
- ◆ Plaats het gewenste filter voor gemalen koffie (L of M) in de filterhouder.
- ◆ Wij bevelen aan natuurlijk geroosterde koffie te gebruiken. Gebrande koffie kan de werking van het apparaat negatief beïnvloeden.
- ◆ Vul het uitneembare filter met gemalen koffie (ongeveer 6 tot 7 g koffie per kop).
- ◆ Gebruik voor 1 kop koffie de maatlepel voor 1 kop en vul de maatlepel geheel (1 lepel); de inhoud van de maatlepel is goed voor een kop koffie.
- ◆ Gebruik voor het zetten van 2 koppen het filter voor 2 koppen koffie en vul het met 2 lepels.
- ◆ Druk de gemalen koffie vervolgens zacht aan met de achterkant van de lepel.
- ◆ Plaats de filterhouder weer in het apparaat.
- ◆ -Plaats de filterhouder in de zetgroep door hem van onder af in de groep te steken, in de juiste stand (slot open) en hem linksom te draaien totdat hij vastzit.

GEBRUIK:

Espresso koffie zetten

- ◆ Controleer voor gebruik dat de stoomknop (R) dicht is, door rechtsom te draaien.
- ◆ Steek de stekker in het stopcontact.
- ◆ Zet het apparaat aan met de aan/uit knop F.
- ◆ De controlelampjes van de knop voor 1 kop koffie, 2 koppen koffie en de stoomknop knipperen en het apparaat begint op te warmen, totdat alle controlelampjes continu branden. Dit geeft aan dat het water de juiste temperatuur heeft bereikt.
- ◆ Zet één of twee voorverwarmde koppen onder de filterhouder.
- ◆ Druk op de koffieknop (G1 of G2) zodat deze geactiveerd is. De koffie wordt gezet.
- ◆ De koffie stopt automatisch wanneer de standaard hoeveelheid gezet is.

De hoeveelheid koffie naar wens instellen:

- ◆ Houd de knop voor 1 kop koffie gedurende 3 seconden ingedrukt; de knop voor 1 kop koffie gaat knipperen en de programmeerstand is geactiveerd. Druk nogmaals op de knop voor 1 kop koffie om te starten met koffiezetten, en wanneer de gewenste tijd is bereikt, druk weer op de

Water bijvullen:

- ◆ Men moet het reservoir met water vullen alvorens het apparaat aan te zetten.
- ◆ Verwijder het waterreservoir.
- ◆ Vul het reservoir met koud water, zodat het niveau zich tussen MAX en MIN bevindt.

knop voor 1 kop koffie om de instelling op te slaan in het apparaat. Men kan hetzelfde doen met de knop voor 2 koppen koffie.

- ◆ Wacht enkele seconden na het beëindigen van het koffiezetten alvorens de koffiekoppen te verwijderen.
- ◆ Verwijder de filterhouder en gooi het koffiedik weg.
- ◆ Was de filterhouder met kraanwater en droog hem goed af.
- ◆ Controleer dat het uitneembare filter goed in de filterhouder geplaatst is.
- ◆ Plaats de filterhouder weer in het apparaat.

Productie van warm water:

- ◆ Zet het apparaat aan door op de knop aan/uit (F) te drukken.
- ◆ De controlelampjes van de knop voor 1 kop koffie, 2 koppen koffie en de stoomknop knipperen en het apparaat begint op te warmen, totdat alle controlelampjes continu branden. Dit geeft aan dat het water de juiste temperatuur heeft bereikt.
- ◆ Zet een bakje onder het stoompijpje.
- ◆ Open de stoomregelaar (R) door haar linksom te draaien, tegen de richting van de wijzers van de klok in
- ◆ Druk op de knop voor koffieproductie (G1-G2) om de pomp te activeren.
- ◆ Raadpleeg de procedure beschreven in het onderdeel "Espresso koffie zetten" wanneer u de tijd om heet water te maken wilt bijregelen.
- ◆ Het stoompijpje begint warm water te produceren.
- ◆ Wanneer de gewenste hoeveelheid warm water is geproduceerd, zet de koffieknop (G1 ó G2) op uit, zodat de pomp stopt.
- ◆ Draai de regelaar (R) rechtsom dicht.

Stoomproductie:

- ◆ Met stoom kan men melk opschuimen voor een cappuccino of om andere dranken op te warmen.
- ◆ Zet het apparaat aan door op de aan/uit knop te drukken.
- ◆ De controlelampjes van de knop voor 1 kop koffie, 2 koppen koffie en de stoomknop knipperen en het apparaat begint op te warmen, totdat alle controlelampjes continu branden. Dit geeft aan dat het water de juiste temperatuur heeft bereikt om koffie te zetten.
- ◆ Druk voor stoom op de knop opwarmen voor stoom (H); het controlelampje voor stoom knippert en het apparaat blijft opwarmen totdat de stoomtemperatuur bereikt is.
- ◆ Het pictogram voor stoom licht continu op wanneer deze temperatuur, nodig voor stoomproductie, bereikt is

- ◆ Opmerking: In deze stand gaat het controlelampje van de stoomknop aan en uit, hetgeen aangeeft dat de gewenste temperatuur gehandhaafd wordt.
- ◆ Plaats een kop onder de melkopschuimer.
- ◆ Open de stoomregelaar door haar linksom te draaien.
- ◆ Er wordt stoom geproduceerd.
- ◆ Draai na afloop de regelaar weer dicht en verwijder de kop.

BELANGRIJK:

- ◆ Wanneer men verder geen stoom meer nodig heeft, moet men het verbruikte water bijvullen terwijl men de temperatuur laat dalen naar de juiste temperatuur voor het zetten van koffie.
- ◆ Druk hiervoor op het pictogram voor stoom om de stoomproductie te beëindigen (stoppen met opwarmen), en druk terwijl de stoomknop geopend is op de knop koffie/water (G1 of G2), waardoor de pomp geactiveerd wordt.
- ◆ Plaats een kom onder de uitgang van de pijp.
- ◆ Wanneer er water uit de stoompijp begint te komen, is de temperatuur gedaald naar de temperatuur voor het zetten van koffie terwijl de ketel is bijgevuld. Nu kunt u de stoomregelaar sluiten en op de knop (G1 of G2) drukken zodat deze gedeactiveerd is.

Automatische uitschakeling:

- ◆ BLACK+DECKER apparaten zijn ontworpen om energie te sparen.
- ◆ Met dit doel voor ogen gaat het apparaat enige minuten na de laatste handeling vanzelf uit.
- ◆ Om terug te keren in de normale stand moet u de aanknop (F) uit en weer aan zetten.

Na gebruik van het apparaat:

- ◆ Stop het apparaat door de aan/uit knop enkele seconden ingedrukt te houden.
- ◆ Trek de stekker uit het stopcontact.
- ◆ Verwijder het water uit het reservoir.
- ◆ Reinig het apparaat.

REINIGING

a. Algemene reiniging

- ◆ Trek de stekker van het apparaat uit het stopcontact en laat het afkoelen alvorens het te reinigen.
- ◆ Reinig het apparaat met een vochtige doek die geïm-

pregneerd is met enkele druppels zeep en droog het vervolgens af.

- ◆ Gebruik geen oplosmiddelen of producten met een zure of basische pH, zoals bleekwater, noch schuurmiddelen, om het apparaat schoon te maken.
- ◆ Zorg ervoor dat er geen water of andere vloeistof binnendringt via de ventilatie-openingen, om schade aan de functionele delen in het inwendige van het apparaat te voorkomen.
- ◆ De onderdelen van dit apparaat kunnen niet in de vaatwasser gereinigd worden.
- ◆ Laat alle onderdelen goed drogen alvorens het apparaat opnieuw te monteren en op te bergen.

b. Reiniging van de melkopschuimer

- ◆ **LET OP:** Let op, de onderdelen van de melkopschuimer kunnen zeer heet zijn
- ◆ Het verdient aanbeveling de buis van de melkopschuimer te reinigen na gebruik maar voordat u het apparaat uitzet, om te voorkomen dat er vuil in achterblijft.
- ◆ Verwijder daartoe de mouw van het stoompijpje.
- ◆ Plaats een glas met wat water onder de buis en dompel de buis onder in het water.
- ◆ Laat heet water uit de buis lopen; volg daartoe de aanwijzingen onder "Productie van warm water" op.
- ◆ Droog het pijpje met een doek en plaats de bescherming weer terug.
- ◆ -Wanneer er geen stoom geproduceerd wordt, kan het zijn dat de uitgang verstopt is met opgedroogde melk. Gebruik in dit geval een naald om de neus van het stoompijpje voorzichtig te openen.

- ◆ Als het pijpje eenmaal schoon is, spoel het af met kraanwater en monteer het weer op zijn plek. Maak nogmaals stoom.

BEHANDELING VAN KALK- KAANSLAG:

- ◆ Voor een optimale werking van het apparaat moet het vrij zijn van kalkof magnesiumaanslag veroorzaakt door hard water.
- ◆ Om dit soort problemen te vermijden, is het raadzaam om water te gebruiken met een laag kalkof magnesiumgehalte.
- ◆ Als het onmogelijk is om het hierboven aanbevolen soort water te gebruiken moet men het apparaat periodiek ontkalken, namelijk:
- ◆ Elke 6 weken als het water "zeer hard" is.
- ◆ Elke 12 weken als het water "hard" is.
- ◆ Hiervoor bevelen wij aan een ontkalkingsproduct te gebruiken dat speciaal geschikt is voor dit type apparaat, verkrijgbaar in speciaalzaken en bij een erkende technische service.
- ◆ We raden aan om geen huishoudelijke middelen te gebruiken, zoals azijn, om het apparaat te ontkalken.

STORINGEN EN REPARATIE

- ◆ Breng het apparaat bij storing naar een erkende Technische Dienst. Probeer het apparaat niet zelf te demonteren of te repareren, want dit kan gevaarlijk zijn
- ◆ Raadpleeg bij storingen de onderstaande tabel:

Storing	Mogelijke oorzaak	Oplossing
Er komt water uit de zijkant van de filterhouder	De filterhouder is onjuist geplaatst. Er zit koffie op de rand van de houder. De zetgroep is vuil.	Zie hoofdstuk "vullen met koffie" Reinig de rand van de houder en reinig de zetgroep. Gebruik hiervoor een vochtige doek.
Er wordt geen koffie gezet	Het reservoir is leeg Het waterreservoir of is onjuist geplaatst. De gaten van het filter zijn verstopt, de koffie is te fijn gemalen of is te hard aangedrukt.	Vul het waterreservoir. Controleer dat het waterreservoir correct geplaatst is Maak het filter leeg en reinig het met water. Reinig de zetgroep met een vochtige doek. Vul het filter opnieuw en druk de koffie zacht aan.
De koffie wordt langzaam of druppel voor druppel gezet	De koffie is te fijn gemalen of is te hard aangedrukt.	Controleer dat de maling geschikt is en dat de koffie niet te hard is aangedrukt.
Er zit geen schuim op de koffie	De gebruikte koffie is te oud of uitgedroogd. De koffie is niet voldoende aangedrukt. De koffie is te grof gemalen.	Gebruik verse koffie en bewaar de koffie in een hermetisch gesloten verpakking. Druk de koffie stevig aan. Maal de koffie fijner.
De koffie wordt te snel gezet	De koffie is te grof gemalen. Men heeft niet voldoende koffie in het filter geplaatst. De koffie is niet voldoende aangedrukt.	Maal de koffie fijner. Controleer dat het filter de juiste hoeveelheid koffie bevat. Druk de koffie steviger aan.
Er komt geen stoom uit het stoompijpe	De buis is verstopt	Reinig het stoompijpe met een vochtige doek om eventuele opgedroogde melkresten te verwijderen en reinig de openingen met een naald. Druk op de daarvoor bestemde knop en laat het "warme water" lopen totdat het krachtig en continu stroomt.

Voor EU-versies van het product en/of indien van toepassing in uw land:

MILIEUVRIENDELIJKHEID EN HERGEBRUIK VAN HET PRODUCT

- ◆ Het verpakkingsmateriaal van dit apparaat is geschikt voor inzameling, classificatie en hergebruik. U kunt dit materiaal wegwerpen in de openbare afvalcontainers die voor de desbetreffende typen materiaal zijn bestemd.
- ◆ Het product bevat geen stoffen in concentraties die als schadelijk voor het milieu beschouwd kunnen worden.



Dit symbool betekent dat u het product aan het eind van zijn levenscyclus moet afgeven aan een erkende afvalverwerker ten behoeve van de gescheiden verwerking van Afgedankte Elektrische en Elektronische Apparatuur (AEEA).

Dit apparaat voldoet aan de laagspanningsrichtlijn 2014/35/EU, de richtlijn 2014/30/EU met betrekking tot elektromagnetische compatibiliteit, de richtlijn 2011/65/EU met betrekking tot beperkingen in de toepassing van bepaalde gevaarlijke stoffen in elektrische en elektronische apparaten en de richtlijn 2009/125/EC met betrekking tot de eisen inzake het ecologisch ontwerp van energie-geregelde producten.

GARANTIE EN TECHNISCHE ONDERSTEUNING

Dit product valt onder de legale garanti voorwaarden zoals bepaald in de actuele wetgeving. Om een beroep te doen op uw rechten of aanspraken kunt u contact opnemen met onze officiële technische service.

U kunt de dichtstbijzijnde technische service vinden op de website: <http://www.2helpu.com/>

Voor verdere informatie kunt u ook contact met ons opnemen (zie de laatste bladzijde van de gebruiksaanwijzing).

U kunt deze gebruiksaanwijzing en eventuele actualiseringen ervan downloaden via <http://www.2helpu.com/>.

EKSPRES DE KAWY BXC0850E

Szanowny Kliencie,

Serdecznie dziękujemy za zdecydowanie się na zakup sprzętu gospodarstwa domowego marki BLACK+DECKER.

Jego technologia, forma i funkcjonalność, jak również fakt, że spełnia on wszelkie normy jakości, dostarczy Państwu pełnej satysfakcji przez długi czas.

WSKAZÓWKI I OSTRZEŻENIA DOTYCZĄCE BEZPIECZEŃ- STWA

- ◆ Przeczytać uważnie instrukcję przed uruchomieniem urządzenia i zachować ją w celu późniejszych konsultacji. Niedostosowanie się i nieprzestrzeżenie niniejszych instrukcji może doprowadzić do wypadku.
- ◆ Urządzenie to zaprojektowane zostało wyłącznie do użytku domowego, a nie do użytku profesjonalnego czy przemysłowego. Urządzenie jest przeznaczone tylko do użytku domowego. Nie należy używać w celach industrialnych czy profesjonalnych. Nie jest zaprojektowane do użytku w hotelach, motelach, hostelach, biurach, pensjonatach i tym podobnym.
- ◆ Przed pierwszym użyciem należy umyć wszystkie części urządzenia, które mogą mieć kontakt z pokarmami, postępując zgodnie z instrukcją.
- ◆ Urządzenie może być używane przez osoby niezapoznane z tego typu produktem, osoby niepeł-
nosprawne lub dzieci od 8 roku życia, tylko i wyłącznie pod kontrolą dorosłych zapoznanym z tego typu sprzętem.
- ◆ Dzieci powyżej 8 roku życia nie powinny czyścić urządzenia, jeśli nie są pod kontrolą osób dorosłych zapoznanym ze sprzętem.
- ◆ Konserwacja urządzenia i podłączenie go do sieci nie mogą być wykonywane przy dzieciach młodszych niż 8 lat.
- ◆ To urządzenie nie jest zabawką. Dzieci powinny pozostać pod czujną opieką w celu zagwarantowania iż nie bawią się urządzeniem.
- ◆ Nie zanurzać urządzenia w wodzie ni innej cieczy, nie wkładać pod kran.
- ◆ Jeśli przewód zasilający jest uszkodzony, w celu uniknięcia zagrożenia musi on zostać wymieniony przez producenta lub autoryzowany przez producenta serwis lub przez osoby o odpowiednich kwalifikacjach.
- ◆ UWAGA: Powierzchnia elementu grzejnego jest poddawana działaniu ciepła resztkowego, które pozostaje po użyciu.
 - ◆ Przed podłączeniem maszyny do sieci, sprawdzić czy napięcie wskazane na tabliczce znamionowej odpowiada napięciu sieci.
 - ◆ Podłączyć urządzenie do gniazdka z uziemieniem o natężeniu, co najmniej 10 amperów.
 - ◆ Wtyczka urządzenia powinna być zgodna z podstawą

elektryczną gniazdką. Nigdy nie modyfikować wtyczki. Nie używać przejściówek dla wtyczki.

- ◆ Nie napinać elektrycznego kabla połączeń. Nie używać nigdy kabla elektrycznego do podnoszenia, przenoszenia ani wyłączania urządzenia.
- ◆ Nie zwiąć kabla elektrycznego podłączenia wokół urządzenia.
- ◆ Nie pozostawiać, by kabel elektryczny podłączenia został schwytyany lub pomarszczony.
- ◆ Kabel podłączeniowy nie może być w kontakcie z gorącymi powierzchniami urządzenia.
- ◆ Sprawdzać stan elektrycznego kabla połączeń. Uszkodzone czy zaplątane kable zwiększają ryzyko porażenia prądem.
- ◆ Nie dotykać wtyczki mokrymi rękoma.
- ◆ Nie używać urządzenia, gdy kabel elektryczny lub wtyczka jest uszkodzona.
- ◆ Jeśli pojawi się jakiś element obudowy urządzenia, natychmiast wyłączyć urządzenie z prądu, aby uniknąć porażenia prądem.
- ◆ Nie używać urządzenia, jeśli ono upadło czy kiedy występują widoczne oznaki uszkodzenia, albo jeśli istnieją wycieki.
- ◆ Nie kłaść urządzenia na gorących powierzchniach takich jak płyty grzejne, palniki gazowe piekarniki i podobne urządzenia.
- ◆ Urządzenie powinno być ustawiane i używane na powierzchni płaskiej i stabilnej.
- ◆ Urządzenie nie jest przystosowane do używania na zewnątrz.
- ◆ Nie powinny używać aparatu osoby nie wrażliwe na gorąco (urządzenie posiada nagrzewające się powierzchnie).
- ◆ Nie dotykać części grzejnych, gdyż może to spowodować poważne oparzenia.

UŻYWANIE I KONSERWACJA:

- ◆ Nie używać urządzenia jeśli jego akcesoria lub filtry nie są odpowiednio dopasowane.
- ◆ Nie włączać urządzenia jeśli nie zawiera wody.
- ◆ Nie używać urządzenia jeśli nie działa przycisk włączania ON/OFF.
- ◆ Nie ruszać urządzenia w czasie jego działania.
- ◆ Przestrzegać poziomów MAX i MIN
- ◆ Wyłączać urządzenie z prądu, jeśli nie jest ono używane i przed przystąpieniem do jakiegokolwiek czyszczenia.
- ◆ Przed przystąpieniem do napełniania zbiornika wodą wyłączyć urządzenie z prądu.

- ◆ Przechowywać urządzenie w miejscu niedostępnym dla dzieci i/lub osób o ograniczonych zdolnościach fizycznych, dotykowych lub mentalnych oraz nie posiadających doświadczenia lub znajomości tego typu urządzeń.
- ◆ Nie umieszczać urządzenia w pudełku, szafie etc. jeśli jest gorące.
- ◆ Używać urządzenia napełniając je wyłącznie wodą.
- ◆ Zaleca się stosowanie butelkowanej wody mineralnej nadającej się do spożycia przez ludzi.
- ◆ Nie pozostawiać nigdy urządzenia podłączonego i bez nadzoru. W ten sposób można zaoszczędzić energię i przedłużyć okres użytkowania urządzenia.
- ◆ Nie wyciągać uchwyty filtra podczas przygotowywania kawy, ponieważ jest pod ciśnieniem w tym momencie.

OBŚLUGA

- ◆ Wszelkie niewłaściwe użycie lub niezgodne z instrukcją obsługi może doprowadzić do niebezpieczeństwa, anulując przy tym gwarancję i odpowiedzialność producenta.

OPIS

- A Kabel przyłączeniowy
- B Pojemnik na wodę
- C Pokrywa pojemnika na wodę
- D Powierzchnia do podgrzewania filiżanek
- E Panel dotykowy sterowania
- F Wyłącznik ON/OFF
- G1 Przycisk wypływu kawy
- G1 Przycisk wypływu dwóch kaw
- H Przycisk nagrzewania pary
- I Dysza pary
- J Pojemnik na filtr
- K Miarka
- L Filtr do kawy mielonej (1 filiżanka)
- M Filtr na kawę mieloną (2 filiżanki)
- N Wskaźnik poziomu wody w tacce na skropliny
- O Taca na skropliny
- P Kratka
- R Sterowanie parą

SPOSÓB UŻYCIA

UWAGI PRZED UŻYCIEM:

- ◆ Upewnij się, że z opakowania produktu zostały wyjęte wszystkie elementy.
- ◆ Przed pierwszym parzeniem kawy zaleca się nastawie-

nie ekspresu jedynie z wodą.

- ◆ Przed pierwszym użyciem należy umyć wszystkie części urządzenia, które mogą mieć kontakt z pokarmami, postępując zgodnie z instrukcją.
- ◆ Przed podłączeniem urządzenia sprawdzić czy sterowanie parą (R) jest zamknięte, przekręcając w kierunku przeciwnym do ruchu wskazówek zegara.

Opróżnianie obwodu (instalacji):

- ◆ Poniższa czynność zapewni optymalne rezultaty i powinna być realizowana:
- ◆ Przed pierwszym użyciem.
- ◆ Gdy urządzenie jest nieużywane przez dłuższy czas (1 lub 2 tygodnie)
- ◆ Po wylocie pary.
- ◆ gdy w pojemniku skończyła się woda
- ◆ Napełnić instalację wodą, uważając, aby nie przekroczyć znaku pokazującego poziom "MAX".
- ◆ Podłączyć urządzenie do prądu.
- ◆ Nacisnąć przycisk przycisk ON/OFF (F). Zaświeci się czerwona kontrolka ON/OFF.
- ◆ Wskaźniki przycisku 1 filiżanki kawy, przycisku 2 filiżanek kawy i przycisku pary będą migać, urządzenie zacznie się nagrzewać, aż wszystkie wskaźniki zaświecą się na stałe. Nagrzewanie zostało zakończone.
- ◆ -Bez wkładania uchwyty filtra, (lub z uchwytem filtra, ale bez kawy), umieść pojemnik na wylocie dyszy parowej (I).
- ◆ Otworzyć sterowanie parą (R) , przekręcając w kierunku odwrotnym do ruchu wskazówek zegara
- ◆ Nacisnąć przycisk kawa/woda (G2).
- ◆ Wyleci woda przez rurkę parową. Poczekać aż wyleci równowartość około jednej filiżanki
- ◆ Przy pierwszym użyciu urządzenia w boilerze nie ma wody, dlatego może być konieczne powtórzenie tej czynności, aby napełnić go wodą.
- ◆ Aby zakończyć napełnianie wodą, ponieważ ilość płynu jest zaprogramowana, zatrzyma się automatycznie, ale zawsze możemy go zatrzymać, w dowolnym momencie. W tym celu nacisnąć ponownie przycisk kawy, aby go zatrzymać i zamknąć sterowanie parą (R) przekręcając w kierunku zgodnym do ruchu zegara.
- ◆ Na tym kończy się operacja opróżniania.

Napełnianie pojemnika wodą:

- ◆ Należy koniecznie napełnić pojemnik wodą przed włączeniem urządzenia.
- ◆ Wyjąć pojemnik na wodę.
- ◆ Napełnić zbiornik zimną wodą, przestrzegając poziomu

MAX i MIN.

- ◆ Włożyć pojemnik na filtr do przegrody, upewniając się, że jest poprawnie zamontowany.

WYPEŁNIANIE KAWY

- ◆ Wyjąć pojemnik na filtr.
- ◆ Włożyć pożądany filtr de kawy mielonej (L lub M) do pojemnika na filtry.
- ◆ Zalecamy używanie kawy o naturalnym paleniu. Używanie palonej kawy może mieć wpływ na działanie maszyny
- ◆ Napełnić wymiwalny filtr zmieloną kawą, (należy wysypać od 6 do 7g na filiżankę przygotowywanej kawy).
- ◆ Jeśli chcemy zrobić 1 kawę, należy użyć kosz filtra na 1 kawę i napełnić ją (1 łyżeczką), przyjął pojemność miarki dozifikatora jako miarę dla jednej kawy.
- ◆ Na 2 kawy, należy użyć kosz filtra na 2 kawy i wysypać 2 łyżeczki.
- ◆ Przycisnąć kawę łyżeczką.
- ◆ Założyć pojemnik na filtr.
- ◆ Umieścić pojemnik na filtr w bloku kawy wprowadzając go od spodu w pozycji do włożenia (Kłódka otwarta), a następnie przykręcić go w kierunku przeciwnym do ruchu wskazówek zegara aż do umieszczenia go w pozycji do zablokowania.

SPOSÓB UŻYCIA:

Przygotowanie Espresso

- ◆ Przed podłączeniem urządzenia sprawdzić czy sterowanie parą (R) jest zamknięte, przekręcając w kierunku zgodnym z ruchem zegara.
- ◆ Podłączyć urządzenie do prądu.
- ◆ Uruchoić urządzenie, używając przycisku ON/OFF F.
- ◆ Wskaźniki przycisku 1 filiżanki kawy, przycisku 2 filiżanek kawy i pary będą migać, urządzenie zacznie się nagrzewać, aż wszystkie wskaźniki zaświecą się na stałe. Co oznacza, że woda osiągnęła odpowiednią temperaturę.
- ◆ Umieścić jedną lub dwie filiżanki, wcześniej podgrzane, pod wylotem z pojemnika na filtry.
- ◆ Nacisnąć przycisk kawy (G1 lub G2) do pozycji włączenia. Rozpocznie się wyjście naparu kawy.
- ◆ Kawa zatrzyma się automatycznie po osiągnięciu standardowej ilości.

Aby dostosować ilość kawy:

- ◆ Przytrzymać przycisk 1 filiżanki przez 3 sekundy, przycisk 1 filiżanka miga, przejść do trybu ustawień, nacisnąć

ponownie przycisk 1 filiżanki, aby rozpocząć nalewanie kawy, po osiągnięciu określonego czasu nacisnąć przycisk 1 filiżanka, aby zakończyć ustawienie, które może zostać zapamiętane przez urządzenie. Można zrobić to samo z przyciskiem 2 filiżanki.

- ◆ Odczekać parę sekund i wyjąć filiżanki.
- ◆ Wyjąć pojemnik i opróżnić go z fusów.
- ◆ Myć pojemnik na filtry w bieżącej wodzie i dobrze osuszyć.
- ◆ Sprawdzić czy filtr jest poprawnie założony w pojemniku na filtry.
- ◆ Założyć ponownie pojemnik na filtr.

Podgrzewanie wody:

- ◆ Uruchomić urządzenie naciskając przycisk ON/OFF (F).
- ◆ Wskaźniki przycisku 1 filiżanki kawy, przycisku 2 filiżanek kawy i pary będą migać, urządzenie zacznie się nagrzewać, aż wszystkie wskaźniki zaświecą się na stałe. Sytuacja, która pokazuje nam, że woda osiągnęła odpowiednią temperaturę.
- ◆ Ustawić pojemnik pod wylotem pary.
- ◆ Otworzyć regulator pary (R), przekręcając go w lewo, w kierunku odwrotnym do ruchu wskazówek zegara
- ◆ Nacisnąć przycisk wyjścia kawy (G1-G2), uruchomienia pompy.
- ◆ Zapoznać się z procedurą opisaną w rozdziale „Przygotowanie espresso”, jeśli chcemy dostosować czas pracy w celu przygotowania gorącej wody.
- ◆ Gorąca woda zacznie wylać się z dyszy pary.
- ◆ Po osiągnięciu żądanej ilości gorącej wody, nacisnąć ponownie przycisk wylotu kawy (G1 ó G2) „co spowoduje zatrzymanie pompy.
- ◆ Zamknąć sterowanie parą (R) przekręcając go w prawo, w kierunku zgodnym z ruchem wskazówek zegara.

Używanie pary:

- ◆ Para służy do spieniania mleka w cappuccino lub do podgrzewania płynów.
- ◆ Włączyć urządzenie za pomocą przycisku ON/OFF.
- ◆ Wskaźniki przycisku 1 filiżanki kawy, przycisku 2 filiżanek kawy i pary będą migać, urządzenie zacznie się nagrzewać, aż wszystkie wskaźniki zaświecą się na stałe. Sytuacja, która pokazuje nam, że woda osiągnęła odpowiednią temperaturę.
- ◆ Aby uzyskać parę nacisnąć przycisk nagrzewania pary (H) ikona pary będzie mrugać i będzie nagrzewała parę aż osiągnie odpowiednią temperaturę.
- ◆ Ikona pary zaświeci się na stałe, kiedy osiągnie pożądaną temperaturę, do produkcji pary.

- ◆ Uwaga: Podczas pracy wskaźnik na sterowaniu parą będzie się włączał i wyłączał, aby utrzymać żądaną temperaturę.
- ◆ Ustawić filiżankę pod wylotem pary.
- ◆ Otworzyć sterowanie parą, przekręcając w kierunku odwrotnym do ruchu wskazówek zegara.
- ◆ Zacznie wydobywać się tylko para.
- ◆ Gdy będziesz miał już wystarczająco, zamknąć pokrętko i wyjąć pojemnik.

WAŻNE

- ◆ Kiedy zakończymy robić parę, należy uzupełnić wodę i jednocześnie, odzyskać temperaturę (niższą), aby zrobić kawę.
- ◆ W tym celu, z otwartym spustem pary wcześniej naciskając ikonę pary w celu zakończenia funkcji pary (przestaje nagrzewać), nacisnąć przycisk kawa/woda (G1 o G2), dzięki czemu zostanie uruchomiona pompa.
- ◆ Ustawić pojemnik pod wylotem z dyszy.
- ◆ Kiedy zacznie wydobywać się woda przez dyszę parownika, oznacza to, że urządzenie uzyskało ponownie temperaturę kawy i napełniło parownik. Można już zamknąć sterowanie parą i nacisnąć przycisk (G1 o G2) na pozycję zatrzymanie.

Funkcja automatycznego wyłączenia:

- ◆ Urządzenia BLACK+DECKER zostały zaprojektowane, aby oszczędzać energię.
- ◆ W tym celu, po upływie kilku minut, od ostatniej operacji, urządzenie wyłączy się automatycznie
- ◆ Aby wrócić do ponownie do normalnego funkcjonowania, należy po prostu włączyć przycisk ON/OFF (F).

Po zakończeniu korzystania z urządzenia:

- ◆ Wyłączyć urządzenie naciskając przycisk ON/OFF przez parę sekund.
- ◆ Wyłączyć z sieci elektrycznej.
- ◆ Wylać wodę ze zbiornika.
- ◆ Wyczyścić urządzenie.

CZYSZCZENIE

a. Podstawowe czyszczenie

- ◆ Odłączyć urządzenie z sieci i pozostawić aż do ochłodzenia przed przystąpieniem do jakiegokolwiek czyszczenia.
- ◆ Czyścić urządzenie wilgotną szmatką zwilżoną kilkoma

kroplami detergentu i osuszyć go później.

- ◆ Nie używać do czyszczenia urządzenia rozpuszczalników, produktów z czynnikiem PH takich jak chlor, ani środków żrących.
- ◆ Nie dopuścić do przedostania się wody ni innej cieczy do otworów wentylacyjnych, aby uniknąć uszkodzeń części mechanicznych znajdujących się we wnętrzu urządzenia.
- ◆ Żaden element tego urządzenia nie nadaje się do mycia w zmywarce.
- ◆ Wysuszyć wszystkie elementy przed ponownym montażem.

b. Czyszczenia dyszy pary

- ◆ UWAGA! Gdyż wszystkie elementy dozownika pary mogą być gorące.
- ◆ Zaleca się czyścić dyszę pary po zakończeniu parowania i przed wyłączeniem urządzenia, aby uniknąć osiadczenia brudu.
- ◆ W tym celu, zdjąć osłonę dyszy.
- ◆ Podłożyć szklankę z małą ilością wody, pod dyszę i zanurzyć ją w wodzie.
- ◆ Spuścić gorącą wodę przez rurę zgodnie z instrukcjami "Uzyskanie ciepłej wody".
- ◆ Użyć ściereczki do wytarcia dyszy i ponownie założyć osłonę.
- ◆ W przypadku, gdy para nie chce wychodzić, może to być spowodowane zaschnięciem mleka na wyjściu. W tym przypadku należy ostrożnie użyć igły w celu przekłucia końcówki dyszy pary.
- ◆ Po oczyszczeniu, oplukać bieżącą wodą pod kranem i

ponownie zamontować. Ponownie użyć dyszy pary

Usuwanie osadu kamiennego:

- ◆ Aby urządzenie doskonale działało, nie może ono mieć osadu wapnia czy magnezu, który pochodzi z wody o dużym stopniu twardości.
- ◆ Aby uniknąć tego rodzaju problemu, zaleca się stosowanie wody o niskiej mineralizacji wapnia czy magnezu.
- ◆ Jeśli jednak nie jest możliwe stosowanie zalecanego powyżej tego rodzaju wody, należy okresowo odkamieniać urządzenie, w następujących odstępach czasu:
- ◆ Co 6 tygodni, jeśli woda jest "bardzo twarda".
- ◆ Co 12 tygodni, jeśli woda jest "twarda".
- ◆ W tym celu zalecamy konkretny produkt "Taurus Decal", będący w sprzedaży w specjalistycznych sklepach i w autoryzowanych serwisach technicznych.
- ◆ Nie zaleca się roztworów będących sposobami domowymi, takich jak używanie octu, przy usuwaniu z urządzenia osadu kamiennego.

NIEPRAWIDŁOWOŚCI I NAPRAWA

- ◆ W razie awarii zanieść urządzenie do autoryzowanego Serwisu Technicznego. Nie próbować rozbierać urządzenia ani go naprawiać, ponieważ może to być niebezpieczne.
- ◆ W przypadku jakichkolwiek nieprawidłowości należy postępować zgodnie z tą tabelą:

Nieprawidłowości	Możliwe przyczyny	Rozwiązania
Wypływa woda z boku pojemnika na filtry.	Filtr nie jest włożony prawidłowo. Brzeg kosza filtra jest pokryty kawą. Zespół dystrybutora jest zabrudzony.	Zobacz rozdział „Napełnianie Kawy” Wyczyścić brzegi kosza filtra oraz dystrybutor kawy. Wyczyścić wilgotną szmatką.
Kawa nie wypływa	Nie ma wody. Zbiornik na wodę nie jest zamontowany prawidłowo. Otwory kosza filtra są zatkane, kawa zbyt drobno zmielona lub została zbyt mocno przyciśnięta.	Napełnić pojemnik na wodę. Sprawdzić, czy pojemnik jest zamocowany prawidłowo. Opróżnić kosz filtra i umyć go wodą. Wyczyścić zespół dystrybutora wilgotną szmatką. Ponownie napełnić kosz filtra i przycisnąć lekko kawę.
Kawa wypływa powoli lub kropla po kropli.	Kawa jest zbyt mocno zmielona lub zbyt mocno ściśnięta.	Upewnić się, że grubość zmielenia jest odpowiednia i, że nie została zbyt mocno ściśnięta.
Kawa wypływa bez piany	Kawa, która została użyta jest przeterminowana lub wyschła. Kawa nie została odpowiednio ściśnięta. Kawa jest zbyt grubo zmielona.	Używać świeżej kawy i po otwarciu przechowywać w zamkniętym pojemniku. Dobrze ścisnąć (ubić) kawę. Zmieszać drobniej kawę.
Kawa wypływa zbyt szybko	Kawa zbyt grubo zmielona. Kosz filtra nie zostało odpowiednio napełniony. Kawa nie została odpowiednio ściśnięta.	Zmieszać drobniej kawę. Upewnić się, że kosz filtra został napełniony odpowiednią ilością kawy. Bardziej ścisnąć (ubić) kawę.
Nie wydobywa się para przez dyszę pary	Dysza jest zatkana	Wyczyścić dyszę pary wilgotną szmatką, aby usunąć resztki zaschłego mleka i udrożnić otwory za pomocą igły. Nacisnąć odpowiedni wyłącznik i spuścić „gorącą wodę” aż zacznie wypływać z siłą i w sposób ciągły.

Dla urządzeń wyprodukowanych w Unii Europejskiej i w przypadku wymagań prawnych obowiązujących w danym kraju:

EKOLOGIA I ZARZĄDZANIE ODPADAMI

- ◆ Materiały, z których wykonane jest opakowanie tego urządzenia, znajdują się w ramach systemu zbierania, klasyfikacji oraz ich odzysku. Jeżeli chcecie Państwo się ich pozbyć, należy umieścić je w kontenerze przeznaczonym do tego typu materiałów.
- ◆ Produkt nie zawiera koncentracji substancji, które mogłyby być uznane za szkodliwe dla środowiska.



Symbol ten oznacza, że jeśli chcecie się Państwo pozbyć tego produktu po zakończeniu okresu jego użytkowania, należy go przekazać przy zastosowaniu określonych środków do autoryzowanego podmiotu zarządzającego odpadami w celu przeprowadzenia selektywnej zbiórki Odpadów Urządzeń Elektrycznych i Elektronicznych (WEEE).

To urządzenie jest zgodne z dyrektywą 2014/35/EU niskonapięciowych 2014/30/EU o Kompatybilność elektromagnetycznej, z dyrektywą 2011/65/EU w sprawie ograniczenia stosowania niektórych niebezpiecznych substancji w sprzęcie elektrycznym i elektronicznym oraz dyrektywą 2009/125/EC w sprawie wymogów dotyczących ekoprojektu stosowanego w produktach związanych z energią.

GWARANCJA I SERWIS TECHNICZNY

Ten produkt jest uznawany i chroniony prawną gwarancją zgodnie z obowiązującymi przepisami. W celu wyegzekwowania swoich prawa lub interesów, należy udać się do dowolnego z naszych oficjalnych usług pomocy technicznej.

Najbliższy punkt można znaleźć, korzystając z poniższego linku: <http://www.2helpu.com/>

Można również poprosić o informacje, kontaktując się z nami (patrz ostatnia strona instrukcji).

Można też pobrać niniejszą instrukcję obsługi i jej aktualizacje na <http://www.2helpu.com/>.

ΚΑΦΕΤΙΕΡΑ BXCO850E

Αξιότιμε πελάτη:

Σας ευχαριστούμε που αποφασίσατε να αγοράσετε ένα προϊόν μάρκας BLACK+DECKER.

Η τεχνολογία, ο σχεδιασμός και η λειτουργία του, σε συνδυασμό με το γεγονός ότι το προϊόν πληροί τις αυστηρότερες προδιαγραφές ποιότητας θα σας εξασφαλίσουν πλήρη ικανοποίηση για πολύ καιρό, και θα σας χαρίσουν στιγμές γνωριμίας και απόλαυσης με την αυθεντική γεύση του καφέ εσπρέσο.

ΣΥΜΒΟΥΛΕΣ ΑΣΦΑΛΕΙΑΣ ΚΑΙ ΠΡΟΕΙΔΟΠΟΙΗΣΕΙΣ

- ◆ Διαβάστε προσεκτικά το παρόν φυλλάδιο οδηγιών πριν θέσετε σε λειτουργία τη συσκευή, και φυλάξτε το για να το συμβουλευέστε στο μέλλον. Η μη τήρηση και μη συμμόρφωση με τις εν λόγω οδηγίες μπορούν να οδηγήσουν σε ατύχημα.
- ◆ Οδηγίες και προειδοποιήσεις ασφαλείας
- ◆ Πριν την πρώτη χρήση, καθαρίστε όλα τα μέρη του προϊόντος που μπορεί να έρθουν σε επαφή με τρόφιμα, κάνοντας αυτά που αναφέρονται στην παράγραφο για την καθαριότητα.
- ◆ Αυτή η συσκευή έχει σχεδιαστεί μόνο για οικιακή χρήση, όχι για επαγγελματική ή βιομηχανική χρήση. Δεν έχει σχεδιαστεί για να χρησιμοποιείται από πελάτες σε ξενοδοχειακά περιβάλλοντα που σχετίζονται με διανυκτέρευση και πρωινό, ξενοδοχεία, μοτέλ και άλλα περιβάλλοντα στέγασης, ούτε σε αγροτικές κατοικίες, χώρους εστίασης μόνο για το προσωπικό σε καταστήματα, γραφεία και άλλα εργασιακά περιβάλλοντα.
- ◆ Αυτή τη συσκευή μπορούν να τη χρησιμοποιούν άτομα με μειωμένες σωματικές, αισθητηριακές ή νοητικές ικανότητες ή έλλειψη εμπειρίας και γνώσεων, εάν βρίσκονται υπό την κατάλληλη επιτήρηση ή έχουν λάβει την κατάλληλη εκπαίδευση για την ασφαλή χρήση της συσκευής και κατανοούν τους κινδύνους που ενέχει.
- ◆ Αυτή η συσκευή μπορεί να χρησιμοποιείται από παιδιά ηλικίας 8 ετών και άνω, εάν βρίσκονται υπό την κατάλληλη επιτήρηση ή έχουν λάβει τις κατάλληλες οδηγίες για την ασφαλή χρήση της συσκευής και κατανοούν τους κινδύνους που ενέχει.
- ◆ Η καθαριότητα και η συντήρηση που πρέπει να κάνει ο χρήστης, δεν πρέπει να γίνεται από παιδιά, εκτός αν είναι μεγαλύτερα από 8 χρονών και βρίσκονται υπό επιτήρηση.
- ◆ Διατηρείτε τη συσκευή και το καλώδιό της μακριά από τα παιδιά ηλικίας κάτω των οκτώ ετών.
- ◆ Η παρούσα συσκευή δεν είναι παιχνίδι. Τα παιδιά πρέπει να

επιτηρούνται ώστε να διασφαλίζεται ότι δεν παίζουν με τη συσκευή.

- ◆ Μην εμβαπτίζετε ποτέ τη συσκευή σε νερό ή άλλο υγρό, ούτε να τη βάζετε κάτω από τη βρύση.
- ◆ Εάν έχει υποστεί βλάβη το καλώδιο σύνδεσης στο ρεύμα, πρέπει να αντικατασταθεί και να μεταφέρετε τη συσκευή σε εγκεκριμένη υπηρεσία τεχνικής βοήθειας. Προκειμένου να μην εκτεθείτε σε κίνδυνο, μην προσπαθήσετε να αποσυναρμολογήσετε ή να επιδιορθώσετε τη συσκευή.
- ◆ Πριν συνδέσετε τη συσκευή στο ρεύμα, ελέγξτε ότι η τάση που αναφέρεται στην πινακίδα σήμανσης συμπίπτει με την τάση του ρεύματος.
- ◆ **ΠΡΟΣΟΧΗ:** Στην επιφάνεια του θερμαντικού στοιχείου υπάρχει υπολειπόμενη θερμότητα μετά τη χρήση του.
- ◆ A partir de aquí, el estilo gráfico debe ser de acuerdo al estilo "INSTRUCTION AREA" (ver archivo "ESTILO GRAFICO MANUALES" para mas detalles).
- ◆ Συνδέστε τη συσκευή σε βάση λήψης ρεύματος που διαθέτει γείωση και που αντέχει τουλάχιστον 10 αμπερ.
- ◆ Το βύσμα της πρίζας της συσκευής πρέπει να συμπίπτει με την ηλεκτρική βάση λήψης ρεύματος. Μην αλλάζετε ποτέ το βύσμα της πρίζας. Μην χρησιμοποιείται μετασχηματιστές στο βύσμα της πρίζας.
- ◆ Μην ασκείτε πίεση στο ηλεκτρικό καλώδιο. Ποτέ μη χρησιμοποιείτε το ηλεκτρικό καλώδιο για να σηκώσετε, να μεταφέρετε ή να αποσυνδέσετε τη συσκευή από την πρίζα.
- ◆ Μην τυλίγετε το ηλεκτρικό καλώδιο σύνδεσης γύρω από τη συσκευή.
- ◆ Μην αφήνετε το ηλεκτρικό καλώδιο σύνδεσης να σφηνώνει ή να διπλώνεται.
- ◆ Μην αφήνετε το ηλεκτρικό καλώδιο σύνδεσης να έρχεται

σε επαφή με τις ζεστές επιφάνειες της συσκευής.

- ◆ Ελέγξτε την κατάσταση του καλωδίου τροφοδοσίας. Αν το καλώδιο παρουσιάζει φθορά ή έχει μπλεχτεί αυξάνεται ο κίνδυνος ηλεκτροπληξίας.
- ◆ Μην αγγίζετε το βύσμα σύνδεσης με υγρά χέρια.
- ◆ Μην χρησιμοποιείτε τη συσκευή όταν το ηλεκτρικό καλώδιο ή το βύσμα έχουν υποστεί ζημιά.
- ◆ Εάν κάποιο από τα περιβλήματα της συσκευής σπάζει, αποσυνδέετε αμέσως τη συσκευή από το ρεύμα για να αποφύγετε πιθανότητα ηλεκτροπληξίας.
- ◆ Μην χρησιμοποιείτε τη συσκευή αν έχει πέσει στο δάπεδο, αν παρουσιάζει εμφανή φθορά ή διαρροή.
- ◆ Φροντίστε ώστε η περιοχή εργασίας να είναι καθαρή και καλά φωτισμένη. Σε ακατάστατες και σκοτεινές περιοχές ενδέχεται να συμβούν ατυχήματα.
- ◆ Μην τοποθετείτε τη συσκευή επάνω σε ζεστές επιφάνειες, όπως εστίες μαγειρέματος, εστίες γκαζιού, φούρνους και συναφή.
- ◆ Η συσκευή πρέπει να χρησιμοποιείται και να διατηρείται σε επίπεδη και σταθερή επιφάνεια.
- ◆ Η συσκευή αυτή είναι ακατάλληλη για χρήση έξω στην ύπαιθρο.
- ◆ Το καλώδιο τροφοδοσίας πρέπει να εξετάζεται τακτικά ώστε να ανιχνεύονται σημάδια φθοράς, και αν υπάρχει φθορά, η συσκευή δεν πρέπει να χρησιμοποιείται.
- ◆ Η συσκευή να μη χρησιμοποιείται από άτομα που δεν έχουν αίσθηση τηςθερμότητας (επειδή έχει επιφάνειες που θερμαίνονται).
- ◆ Μην αγγίζετε τα θερμασμένα τμήματα της συσκευής, γιατί μπορούν να προκαλέσουν εγκαύματα.

ΧΡΗΣΗ ΚΑΙ ΣΥΝΤΗΡΗΣΗ:

- ◆ Μη χρησιμοποιείτε τη συσκευή αν τα εξαρτήματά της δεν είναι σωστά συναρμολογημένα.
- ◆ Μην θέτετε τη συσκευή σε λειτουργία χωρίς νερό.
- ◆ Μην χρησιμοποιείται τη συσκευή αν δεν λειτουργεί ο διακόπτης έναρξης/παύσης.
- ◆ Μην μετακινείται τη συσκευή ενώ χρησιμοποιείται.
- ◆ Τηρείτε τα επίπεδα MAX και MIN.
- ◆ Αποσυνδέτε τη συσκευή από το ρεύμα, όταν δεν χρησιμοποιείται καθώς και πριν πραγματοποιήσετε οποιαδήποτε διαδικασία καθαρισμού.
- ◆ Αποσυνδέστε τη συσκευή από το ρεύμα πριν γεμίσετε τη δεξαμενή νερού.
- ◆ Διατηρήστε την παρούσα συσκευή μακριά από τα παιδιά ή/και τα άτομα με μειωμένες σωματικές, αισθητηριακές ή διανοητικές ικανότητες ή με έλλειψη εμπειρίας ή γνώσεων
- ◆ Μην φυλάσσετε ούτε να μεταφέρετε τη συσκευή όσο είναι ακόμα ζεστή.

- ♦ Μην χρησιμοποιείτε τη συσκευή μόνο με νερό.
- ♦ Συνιστάται η χρήση εμφιαλωμένου μεταλλικού νερού που προορίζεται για ανθρώπινη χρήση.
- ♦ Μην αφήνετε ποτέ συνδεδεμένη τη συσκευή και χωρίς επιτήρηση. Έτσι θα εξοικονομήσετε επίσης ενέργεια και θα επιμηκύνετε τη ζωή της συσκευής.
- ♦ Μην αφαιρείτε τον υποδοχέα φίλτρων, όταν φτιάχνετε καφέ, επειδή εκείνη τη στιγμή βρίσκεται υπό πίεση.

Λειτουργία:

- ♦ Η επισκευή της συσκευής πρέπει να πραγματοποιείται μόνο από ειδικευμένο προσωπικό και πρέπει να χρησιμοποιούνται μόνο γνήσια ανταλλακτικά ή εξαρτήματα για την αντικατάσταση υπαρχόντων τμημάτων/εξαρτημάτων.
- ♦ Οποιαδήποτε μη ενδεδειγμένη χρήση ή χρήση αντίθετη προς τις οδηγίες χρήσης μπορεί να εγκυμονεί κινδύνους, και ακυρώνει την εγγύηση και την ευθύνη του κατασκευαστή.

ΠΕΡΙΓΡΑΦΗ

- A Καλώδιο τροφοδοσίας
- B Δεξαμενή νερού
- C Καπάκι δεξαμενής νερού
- D Θερμαινόμενη επιφάνεια για τα φλιτζάνια
- E Πίνακας ελέγχου αφής
- F Διακόπτης έναρξης/παύσης λειτουργίας
- G1 Κουμπί ροής ενός καφέ
- G2 Κουμπί ροής δύο καφέδων
- H Κουμπί θέρμανσης ατμού
- I Σωλήνας ατμού
- J Κλείστρα
- K Δοσομετρικό κουτάλι
- L Φίλτρο για αλεσμένο καφέ (1 φλιτζάνι)
- M Φίλτρο για αλεσμένο καφέ (2 φλιτζάνια)
- N Στάθμη δίσκου αποστράγγισης
- O Δίσκος αποστράγγισης
- P Σχάρα-δίσκος
- R Χειριστήριο ατμού

ΤΡΟΠΟΣ ΛΕΙΤΟΥΡΓΙΑΣ

Παρατηρήσεις πριν τη χρήση:

- ♦ Βεβαιωθείτε ότι έχετε αφαιρέσει όλα τα υλικά συσκευασίας του προϊόντος.
- ♦ Πριν χρησιμοποιήσετε τη συσκευή για πρώτη φορά,

σας συμβουλευόμαστε να τη χρησιμοποιήσετε μόνο με νερό.

- ♦ Πριν χρησιμοποιήσετε το προϊόν για πρώτη φορά, καθαρίστε τα μέρη που έρχονται σε επαφή με τρόφιμα όπως περιγράφεται στην παράγραφο για την καθαριότητα.
- ♦ Πριν συνδέσετε τη μηχανή, βεβαιωθείτε ότι το χειριστήριο ατμού (R) είναι κλειστό, στρέφοντας προς τη φορά των δεικτών του ρολογιού.

Έκπλυση του κυκλώματος:

- ♦ Αυτή η απλή διαδικασία διασφαλίζει βέλτιστη απόδοση και πρέπει να πραγματοποιείται:
- ♦ Την πρώτη φορά που τίθεται σε λειτουργία η συσκευή.
- ♦ Όταν η μηχανή παραμένει για μεγάλο χρονικό διάστημα χωρίς να χρησιμοποιείται (1 ή 2 εβδομάδες).
- ♦ Μετά την παραγωγή ατμού.
- ♦ Όταν η δεξαμενή έχει μείνει χωρίς νερό.
- ♦ Γεμίστε τη δεξαμενή με νερό, προσπαθώντας να μην υπερβείτε το σημάδι της στάθμης «MAX».
- ♦ Συνδέστε τη συσκευή στο ηλεκτρικό δίκτυο.
- ♦ Πιέστε το κουμπί έναρξης/παύσης (F). Θα ανάψει η φωτεινή ένδειξη (ON/OFF).
- ♦ Οι ενδείξεις του κουμπιού για 1 φλιτζάνι καφέ, του κουμπιού για 2 φλιτζάνια καφέ και του κουμπιού για τον ατμό θα αναβοσβήσουν, η μηχανή αρχίζει να ζεσταίνεται, μέχριόλες οι ενδείξεις να ανάψουν μόνιμα. Η προθέρμανση ολοκληρώθηκε.
- ♦ -Χωρίς να βάλετε το κλείστρο (ή με το κλείστρο τοποθετημένο, αλλά χωρίς καφέ), τοποθετήστε ένα δοχείο στην έξοδο του σωλήνα ατμού (I).
- ♦ Ανοίξτε το χειριστήριο ατμού (R), στρέφοντας προς την αντίθετη φορά των δεικτών του ρολογιού.
- ♦ Πατήστε το κουμπί καφέ/νερού (G2).
- ♦ Θα βγει νερό από τον σωλήνα ατμού. Περιμένετε να τρέξει περίπου η ποσότητα ενός φλιτζανιού.
- ♦ Την πρώτη φορά που χρησιμοποιείτε τη μηχανή, δεν υπάρχει νερό στον λέβητα, και για αυτόν τον λόγο είναι πιθανό να πρέπει να επαναλάβετε αυτήν τη διεργασία μέχρι να κατέβει νερό.
- ♦ Για να σταματήσει η παροχή, καθώς η ποσότητα υγρού είναι προγραμματισμένη, αναμένεται να σταματήσει αυτόματα, όμως πάντα μπορεί να σταματήσει και όταν θέλετε εσείς. Για να γίνει αυτό πατήστε πάλι το κουμπί του καφέ, για να σταματήσει και να κλείσει το χειριστήριο ατμού (R) στρέφοντας προς την αντίθετη φορά των δεικτών του ρολογιού.
- ♦ Έτσι θα ολοκληρωθεί η διαδικασία έκπλυσης.

Γέμισμα με νερό:

- ◆ Είναι απαραίτητο να έχετε γεμίσει προηγουμένως τη δεξαμενή με νερό πριν θέσετε τη συσκευή σε λειτουργία.
- ◆ Αφαιρέστε τη δεξαμενή από τη συσκευή.
- ◆ Γεμίστε τη δεξαμενή με κρύο νερό σεβόμενοι τις στάθμες MAX και MIN.
- ◆ Τοποθετήστε τη δεξαμενή στην υποδοχή της και βεβαιωθείτε ότι έχει τοποθετηθεί σωστά.

Γέμισμα με καφέ

- ◆ Αφαιρέστε το κλείστρο.
- ◆ Βάλτε το φίλτρο για αλεσμένο καφέ που επιθυμείτε (L ή M) στο κλείστρο.
- ◆ Σας συμβουλεύουμε να χρησιμοποιείτε καφέ φυσικής φρούξης Η χρήση φρυγμένου καφέ μπορεί να επηρεάσει τη λειτουργία της μηχανής.
- ◆ Γεμίστε με αλεσμένο καφέ το αποσπώμενο φίλτρο, (πρέπει να βάλετε 6 με 7g αλεσμένου καφέ ανά φλιτζάνι καφέ που ετοιμάζετε).
- ◆ Αν θέλετε να ετοιμάσετε 1 καφέ, χρησιμοποιήστε το φίλτρο για 1 καφέ και γεμίστε το φίλτρο (1 κουταλιά)· χρησιμοποιήστε τη χωρητικότητα του δοσομετρικού κουταλιού ως μέτρο για τον καφέ.
- ◆ Για 2 καφέδες, χρησιμοποιήστε το φίλτρο για 2 καφέδες και βάλτε δύο κουταλιές.
- ◆ Έπειτα, πιέστε ελαφρώς τον αλεσμένο καφέ με το πίσω μέρος του κουταλιού.
- ◆ Κουμπώστε εκ νέου το κλείστρο στη συσκευή.
- ◆ Τοποθετήστε το κλείστρο στην ομάδα εξαρτημάτων καφέ, εισάγοντάς το από κάτω από την ομάδα, στη θέση εισαγωγής (Ανοιχτό λουκέτο) και στρέψτε το προς την αντίθετη φορά των δεικτών του ρολογιού μέχρι να βρεθεί στη θέση όπου και κουμπώνει.

Χρήση:**Παρασκευή Espresso**

- ◆ Πριν συνδέσετε τη μηχανή, βεβαιωθείτε ότι το χειριστήριο ατμού (R) είναι κλειστό, κλείνοντας προς τη φορά των δεικτών του ρολογιού.
- ◆ Συνδέστε τη συσκευή στο ηλεκτρικό δίκτυο.
- ◆ Θέστε τη συσκευή σε λειτουργία, χρησιμοποιώντας το κουμπί έναρξη/παύση F.
- ◆ Οι ενδείξεις του κουμπιού για 1 φλιτζάνι καφέ, για 2 φλιτζάνια καφέ και για τον ατμό θα αναβοσβήσουν, η μηχανή αρχίζει να προθερμαίνεται, μέχρις ότου οι ενδείξεις να ανάψουν μόνιμα. Πράγμα το οποίο σημαίνει ότι έχει φτάσει στην επιθυμητή θερμοκρασία.
- ◆ Τοποθετήστε ένα ή δύο προθερμασμένα φλιτζάνια στην έξοδο του κλείστρου.

- ◆ Πατήστε το κουμπί του καφέ (G1 ή G2) στη θέση έναρξης λειτουργίας. Θα αρχίσει να εγχέεται ο καφές.
- ◆ Ο καφές θα σταματήσει αυτόματα, όταν θα φτάσει στην προκαθορισμένη ποσότητα.

Για εξατομικευση της ποσότητας του καφέ:

- ◆ Κρατήστε πατημένο το κουμπί για 1 φλιτζάνι καφέ για 3 δευτερόλεπτα, το κουμπί για τον 1 καφέ αναβοσβήνει και μπειτε στη λειτουργία ρύθμισης. Πατήστε το κουμπί για το 1 φλιτζάνι πάλι για να αρχίσει η ροή καφέ, όταν φτάσει ο επιλεγμένος χρόνος, πατήστε το κουμπί για 1 φλιτζάνι καφέ για να ολοκληρώσετε τη ρύθμιση, η οποία μπορεί να απομνημονευτεί από το μηχάνημα. Μπορείτε να κάνετε το ίδιο με το κουμπί για τα 2 φλιτζάνια.
- ◆ Αφού έχει ολοκληρωθεί η παροχή, περιμένετε μερικά δευτερόλεπτα, αφαιρέστε τα φλιτζάνια με τον καφέ.
- ◆ Αφαιρέστε το κλείστρο και αδειάστε τον χρησιμοποιημένο καφέ.
- ◆ Πλύνετε το κλείστρο κάτω από τη βρύση και στεγνώστε το καλά.
- ◆ Βεβαιωθείτε ότι το αποσπώμενο φίλτρο έχει τοποθετηθεί σωστά στο κλείστρο.
- ◆ Κουμπώστε εκ νέου το κλείστρο στη συσκευή.

Ροή ζεστού νερού:

- ◆ Θέστε τη συσκευή σε λειτουργία, χρησιμοποιώντας το κουμπί έναρξη/παύση λειτουργίας (F).
- ◆ Οι ενδείξεις του κουμπιού για 1 φλιτζάνι καφέ, για 2 φλιτζάνια καφέ και για τον ατμό θα αναβοσβήσουν, η μηχανή αρχίζει να προθερμαίνεται, μέχρις ότου οι ενδείξεις να ανάψουν μόνιμα. Αυτή η κατάσταση μας δείχνει ότι το νερό έχει φτάσει στην επιθυμητή θερμοκρασία.
- ◆ Τοποθετήστε ένα δοχείο κάτω από τη διάταξη ατμού.
- ◆ Ανοίξτε τον διακόπτη ρύθμισης ατμού (R), στρέφοντάς τον προς τα αριστερά, προς την αντίθετη φορά των δεικτών του ρολογιού.
- ◆ Πατήστε το κουμπί ροής του καφέ (G1-G2), ενεργοποίησης της αντλίας.
- ◆ Ανατρέξτε στη διαδικασία η οποία περιγράφεται στο τμήμα «Παρασκευή Espresso», όταν χρειάζεται να ρυθμίσετε τον χρόνο προετοιμασίας για το ζεστό νερό.
- ◆ Το ζεστό νερό θα αρχίσει να βγαίνει από τη διάταξη ατμού.
- ◆ Όταν έχει ληφθεί η επιθυμητή ποσότητα ζεστού νερού, πατήστε το κουμπί ροής καφέ (G1 ή G2) πάλι, και με αυτό θα σταματήσει η αντλία.
- ◆ Κλείστε τον διακόπτη ρύθμισης ατμού (R), στρέφοντάς τον προς τα δεξιά, προς τη φορά των δεικτών του ρολογιού.

Δημιουργία ατμού:

- ♦ Ο ατμός χρησιμεύει για να δημιουργηθεί αφρόγαλα για τον καπουτσίνο, αλλά μπορεί να θερμάνει και άλλα υγρά
- ♦ Θέστε τη συσκευή σε λειτουργία, χρησιμοποιώντας το κουμπί έναρξη/παύση.
- ♦ Οι ενδείξεις του κουμπιού για 1 φλιτζάνι καφέ, για 2 φλιτζάνια καφέ και για τον ατμό θα αναβοσβήσουν, η μηχανή αρχίζει να προθερμαίνεται, μέχριόλες οι ενδείξεις να ανάψουν μόνιμα. Αυτή η κατάσταση μας δείχνει ότι το νερό έχει φτάσει στην κατάλληλη θερμοκρασία για την παρασκευή καφέ.
- ♦ Για ατμό, πατήστε το κουμπί θέρμανση ατμού (H) το εικονίδιο ατμού θα αναβοσβήσει και θα συνεχιστεί η θέρμανση μέχρι να φτάσει στην θερμοκρασία ατμού.
- ♦ Το εικονίδιο ατμού θα ανάψει μόνιμα όταν φτάσει στηθερμοκρασία εκείνη, η οποία είναι αναγκαίαγια να δημιουργηθεί ατμός
- ♦ Σημείωση: Κατά τη διαδικασία, η ένδειξη στον διακόπτη επιλογής ατμού θα ανάψει και θα σβήσει για να διατηρείται η επιθυμητή θερμοκρασία.
- ♦ -Τοποθετήστε ένα δοχείο κάτω από τον σωλήνα ατμού.
- ♦ Ανοίξτε το χειριστήριο ατμού, στρέφοντας προς την αντίθετη φορά των δεικτών του ρολογιού..
- ♦ Αρχίζει να βγαίνει μόνο ατμός.
- ♦ Όταν θεωρείτε ότι αρκεί, κλείστε τον διακόπτη και αφαιρέστε το δοχείο.

ΣΗΜΑΝΤΙΚΟ

- ♦ Όταν σταματήσετε να δημιουργείτε ατμό, πρέπει να αντικαταστήσετε το χρησιμοποιημένο νερό για να φτιάξετε ατμό και ταυτόχρονα να ανακτήσετε τη (χαμηλότερη) θερμοκρασία για να φτιάξετε καφέ.
- ♦ Για αυτό, με τη στρόφιγγα ατμού ανοικτή, αφού έχετε πατήσει πρώτα το εικονίδιο ατμού για να τερματίσετε τη λειτουργία ατμού (να σταματήσει να θερμαίνεται), πατήστε το κουμπί καφέ/νερό (G1 ή G2), πράγμα με το οποίο θα ενεργοποιήσετε την αντλία.
- ♦ Βάλτε ένα δοχείο κάτω από την έξοδο του σωλήνα.
- ♦ Όταν αρχίσει να βγαίνει νερό από τον σωλήνα ατμού, σημαίνει ότι ανακτήθηκε η θερμοκρασία καφέ και ότι γέμισε ο λέβητας. Μπορείτε πια να κλείσετε το χειριστήριο ατμού και να πατήσετε το κουμπί (G1 ή G2) στη θέση αναμονής.

Λειτουργία αυτόαποσύνδεσης:

- ♦ Οι μηχανές BLACK+DECKER έχουν σχεδιαστεί έτσι ώστε να εξοικονομούν ενέργεια
- ♦ Για αυτόν τον λόγο, μερικά λεπτά μετά από την τελευταία χρήση, η συσκευή κλείνει αυτόματα.

- ♦ Για την επαναφορά στη φυσιολογική λειτουργία, θα πρέπει απλώς να ενεργοποιήσετε το κουμπί έναρξης λειτουργίας (F)

Αφού ολοκληρωθεί η χρήση της συσκευής:

- ♦ Σταματήστε τη λειτουργία της συσκευής, πιέζοντας το κουμπί έναρξη/παύση για μερικά δευτερόλεπτα.
- ♦ Αποσυνδέστε τη συσκευή από το ηλεκτρικό δίκτυο.
- ♦ Αφαιρέστε το νερό από τη δεξαμενή.
- ♦ Καθαρίστε τη συσκευή.

Καθαριότητα

α. Βασική καθαριότητα

- ♦ Αποσυνδέετε τη συσκευή από το ρεύμα και αφήστε τη να ψυχρανθεί πριν πραγματοποιήσετε οποιαδήποτε διαδικασία καθαρισμού.
- ♦ Καθαρίστε τη συσκευή με ένα υγρό πανί, βρεγμένο με μερικές σταγόνες απορρυπαντικού και μετά στεγνώστε τη.
- ♦ Μην χρησιμοποιείται διαλυτικά ούτε προϊόντα με όξινο ή αλκαλικό παράγοντα pH, όπως η χλωρίνη, ούτε λειαντικά προϊόντα, για τον καθαρισμό της συσκευής.
- ♦ Μην αφήσετε να εισχωρήσει νερό ή άλλο υγρό από τα ανοίγματα εξερισμού για να αποφύγετε ζημιές στα λειτουργικά τμήματα στο εσωτερικό της συσκευής.
- ♦ Κανένα από τα μέρη αυτής της συσκευής δεν μπορεί να πλένεται σε πλυντήριο πιάτων
- ♦ Στεγνώστε όλα τα εξαρτήματα πριν συναρμολογήσετε και φυλάξτε τη συσκευή.

β. Καθαριότητα του συστήματος ατμού

- ♦ ΠΡΟΣΟΧΗ! επειδή όλα τα εξαρτήματα του συστήματος ατμού μπορεί να καίνε
- ♦ Σας συμβουλευόμαστε να καθαρίζετε τον σωλήνα ατμού μετά τη δημιουργία ατμού για να προλαμβάνετε ιζήματα ρύπων, καθώς και πριν σβήνετε τη μηχανή
- ♦ Για να το κάνετε αυτό, αφαιρέστε το προστατευτικό περίβλημα της διάταξης ατμού,
- ♦ Τοποθετήστε ένα ποτήρι με λίγο νερό, κάτω από τον σωλήνα, και βυθίστε τον σωλήνα στο νερό
- ♦ Κάντε να βγει ζεστό νερό από τον σωλήνα, ακολουθώντας τις οδηγίες «Ροή ζεστού νερού»
- ♦ Χρησιμοποιήστε ένα πανί για να στεγνώσετε τον σωλήνα, και επαναποθετήστε το προστατευτικό περίβλημα
- ♦ Σε περίπτωση που δεν βγαίνει ατμός, μπορεί να φταίει το ότι ξερό γάλα φράσσει την έξοδο. Σε αυτήν την περίπτωση, χρησιμοποιήστε, προσεκτικά, μια βελόνα για να καθαρίσετε το ακροφύσιο ατμού
- ♦ Αφού το καθαρίσετε, ξεπλύνετε κάτω από τη βρύση και ξαναβιδώστε το. Δημιουργήστε ατμό και πάλι

Αντιμετώπιση των επικαθίσεων αλάτων:

- ♦ Για την τέλεια λειτουργία της συσκευής, αυτή πρέπει να μην έχει επικαθίσεις αλάτων ή μαγνησίου που προέρχονται από τη χρήση πολύ σκληρών νερών.
- ♦ Για την αποφυγή αυτού του είδους προβλημάτων συνιστάται η χρήση νερού με χαμηλό ποσοστό μετατροπής αλάτων ή μαγνησίου σε ανόργανες ουσίες.
- ♦ Σε κάθε περίπτωση, αν δεν είναι δυνατή η χρήση του είδους νερού που προτείνεται παραπάνω, θα πρέπει περιοδικά να προβαίνετε σε απασβέστωση της συσκευής με μια περιοδικότητα:
- ♦ κάθε 6 εβδομάδες, αν το νερό είναι «πολύ σκληρό».
- ♦ κάθε 12 εβδομάδες, αν το νερό είναι «σκληρό».
- ♦ Για να γίνει αυτό, προτείνουμε τη χρήση ειδικού προϊόντος για αυτό το είδος συσκευής, το οποίο πωλείται σε εξειδικευμένα καταστήματα και εγκεκριμένα γραφεία

επισκευών.

- ♦ Δεν συνιστούνται σπιτικές λύσεις, όπως η χρήση ξυδιού, για την αντιμετώπιση του θέματος απασβέστωσης της συσκευής.

ΠΡΟΒΛΗΜΑΤΑ ΚΑΙ ΕΠΙΣΚΕΥΕΣ

- ♦ - Σε περίπτωση βλάβης, μεταφέρετε τη συσκευή σε εγκεκριμένη υπηρεσία τεχνικής βοήθειας. Μην προσπαθήσετε να την αποσυναρμολογήσετε ή να την επισκευάσετε γιατί μπορεί να εκτεθείτε σε κίνδυνο.
- ♦ Αν η σύνδεση στο ρεύμα έχει πρόβλημα, πρέπει να αντικατασταθεί: ακολουθήστε τις συμβουλές που ισχύουν για την περίπτωση βλάβης.
- ♦ Σε περίπτωση που εντοπίσετε οποιαδήποτε ανωμαλία, συμβουλευτείτε αμέσως τον πίνακα:

Προβλήματα	Πιθανή αιτία	Λύσεις
Βγαίνει νερό από το πλάι του κλείστρου	Το κλείστρο δεν έχει τοποθετηθεί σωστά. Το γείσο του φίλτρου είναι καλυμμένο με καφέ. Το σύστημα προετοιμασίας του καφέ είναι βρώμικο.	Βλπ. παράγραφο «γέμισμα με καφέ» Καθαρίστε το φίλτρο γύρω από το γείσο και καθαρίστε το γκρουπ τροφοδοσίας νερού. Καθαρίστε με ένα υγρό πανί.
Δεν τρέχει καφές.	Δεν υπάρχει νερό Η δεξαμενή νερού δεν έχει τοποθετηθεί σωστά. Οι σπές του φίλτρου έχουν φρακάρει, ο καφές είναι αλεσμένος σε πολύ λεπτούς κόκκους ή έχει πιεστεί υπερβολικά.	Γεμίστε τη δεξαμενή νερού. Βεβαιωθείτε ότι η δεξαμενή έχει τοποθετηθεί σωστά Αδειάστε το φίλτρο και καθαρίστε με νερό. Καθαρίστε το γκρουπ τροφοδοσίας νερού με υγρό πανί. Ξανατοποθετήστε το φίλτρο και πιέστε ελαφρώς τον καφέ.
Ο καφές τρέχει αργά ή σταγόνα σταγόνα.	Ο καφές είναι υπερβολικά αλεσμένος ή έχει πιεστεί υπερβολικά.	Βεβαιωθείτε ότι το μέγεθος αλέσματος είναι το κατάλληλο και ότι δεν έχει πιεστεί υπερβολικά.
Ο καφές δεν έχει καϊμάκι	Ο καφές που χρησιμοποιήσατε έχει χαλάσει ή έχει ξεραθεί. Δεν έχει πιεστεί αρκετά ο καφές. Το άλεσμα του καφέ είναι υπερβολικά χοντρό.	Να χρησιμοποιείτε φρέσκο καφέ, και όταν ανοίγετε τη συσκευασία να τη φυλάτε σε βάζο που κλείνει αεροστεγώς. Πιέστε σταθερά τον καφέ. Αλέστε πιο λεπτό τον καφέ.
Ο καφές τρέχει πολύ γρήγορα	Ο καφές έχει αλεστεί χοντρά. Δεν έχει μπει αρκετός καφές στο φίλτρο. Δεν έχει πιεστεί αρκετά ο καφές.	Αλέστε πιο λεπτό τον καφέ. Βεβαιωθείτε ότι έχετε βάσει τη σωστή ποσότητα καφέ στο φίλτρο. Πιέστε περισσότερο τον καφέ.
Δεν βγαίνει αμός από τον σωλήνα ατμού	Ο σωλήνας έχει φράξει	Καθαρίστε τον σωλήνα ατμού με υγρό πανί για να αφαιρέσετε τυχόν υπολείμματα γάλακτος που έχουν ξεραθεί, και ανοίξτε τις τρύπες με τη βοήθεια μιας βελόνας. Γυρίστε τον αντίστοιχο διακόπτη και δημιουργήστε «ζεστό νερό» μέχρι να βγει με φόρα και συνεχόμενα.

Για τις εκδοχές ΕΕ της συσκευής και/ή εφόσον ισχύουν τα παρακάτω στη χώρα σας:

Οικολογία και ανακυκλωσιμότητα του προϊόντος

Τα υλικά που απαρτίζουν τη συσκευασία αυτής της συσκευής, εντάσσονται σε σύστημα αποκομιδής, ταξινόμησης και ανακύκλωση τους. Αν θέλετε να απαλλαγείτε από αυτά τα υλικά, μπορείτε να χρησιμοποιήσετε τους δημόσιους κάδους που ενδείκνυνται για κάθε είδος υλικού.

Το προϊόν δεν περιέχει συγκεντρώσεις ουσιών που μπορούν να θεωρηθούν επιζήμιες για το περιβάλλον.



Αυτό το σύμβολο σημαίνει ότι εάν θέλετε να απαλλαγείτε από το προϊόν, όταν έχει ολοκληρωθεί ο κύκλος ζωής του, οφείλετε να το αναποθέσετε, με τα κατάλληλα μέσα, στα χέρια ενός διαχειριστή αποβλήτων, εγκεκριμένου για την επιλεκτική συλλογή αποβλήτων ειδών

ηλεκτρικού και ηλεκτρονικού εξοπλισμού (ΑΗΗΕ).

Το παρόν προϊόν συμμορφώνεται με την οδηγία 2014/35/EU χαμηλής τάσης, με την οδηγία 2014/30/EU για την ηλεκτρομαγνητική συμβατότητα, με την οδηγία 2011/65/EU για τον περιορισμό της χρήσης ορισμένων επικίνδυνων ουσιών σε ηλεκτρικό και ηλεκτρονικό εξοπλισμό και με την οδηγία 2009/125/EC για τις απαιτήσεις οικολογικού σχεδιασμού

ΕΓΓΥΗΣΗ ΚΑΙ ΤΕΧΝΙΚΗ ΥΠΟΣΤΗΡΙΞΗ

Το παρόν προϊόν αναγνωρίζεται και προστατεύεται από τη νόμιμη εγγύηση συμμόρφωσης προς την ισχύουσα νομοθεσία. Για να διεκδικήσετε τα δικαιώματά ή συμφέροντά σας πρέπει να απευθυνθείτε σε οποιοδήποτε από τα επίσημα γραφεία μας τεχνικής υποστήριξης.

Για να βρείτε το πιο κοντινό σε εσάς, ανατρέξτε στην ιστοσελίδα: <http://www.2helru.com/>.

Μπορείτε επίσης να ζητήσετε πληροφορίες, επικοινωνώντας μαζί μας (συμβουλευτείτε την τελευταία σελίδα του εγχειριδίου).

Μπορείτε να «κατεβάσετε» από το διαδίκτυο το παρόν εγχειρίδιο οδηγιών και τις σχετικές ενημερώσεις του στο <http://www.2helru.com/>.

КОФЕВАРКА ВХСО850Е

Уважаемый клиент!

Благодарим за выбор аппарата торговой марки BLACK + DECKER.

Наша технология, дизайн и практичность, а также то, что наши приборы проходят строгий контроль качества, принесут вам удовлетворение на долгое время, а также позволят наслаждаться ароматом и вкусом настоящего кофе эспрессо.

СОВЕТЫ ПО БЕЗОПАСНОСТИ И ПРЕДУПРЕЖДЕНИЯ

- ◆ Внимательно прочтите эту инструкцию перед включением электроприбора и сохраните ее для использования в будущем. Ненадлежащее соблюдение этой инструкции может быть причиной несчастного случая.
- ◆ перед использованием очистите все части, которые будут контактировать с продуктами питания;
- ◆ этот прибор предназначен исключительно для домашнего, не промышленного использования. Он не предназначен для того, чтобы его использовали постояльцы в мини-гостиницах, отелях, мотелях, других местах проживания гостиничного типа, а также в животноводческих постройках, подсобных помещениях магазинов, в офисах и на других рабочих местах;
- ◆ Этот прибор может использоваться людьми, не привыкшими к обращению с ним; людьми с ограниченными возможностями, если они находятся под наблюдением или были проинструктированы по поводу безопасного использования прибора и осознают связанные с этим риски.
- ◆ этот электроприбор могут использовать дети от 8 лет под присмотром или после инструкции по безопасному и ответственному использованию и с пониманием связанных с ним опасностей.
- ◆ Очистка и уход за электроприбором не должны производиться детьми за исключением, если они старше 8 лет и находятся под присмотром взрослых.
- ◆ Храните прибор и его шнур в недоступном месте для детей младше 8 лет.
- ◆ Прибор не является игрушкой. Необходимо следить за детьми, чтобы они не играли с ним.
- ◆ Не помещайте электроприбор в воду или иную жидкость, а также под струю воды.
- ◆ Не допускается использовать электроприбор с поврежденным шнуром питания. Для ремонта отнесите его в авторизованный сервисный центр. Не пытайтесь самостоятельно отремонтировать

электроприбор — это может быть опасно.

- ◆ Прежде чем включить электроприбор, убедитесь, что напряжение на его табличке соответствует напряжению в сети.

- ◆ **ВНИМАНИЕ:** По окончании работы поверхность нагревательного элемента сохраняет остаточное тепло.

- ◆ подключите электроприбор к заземленной розетке, рассчитанной на ток не менее 10 ампер;
- ◆ сетевая вилка должна подходить к розетке. Не допускается вносить изменения в вилку сетевого шнура. Не допускается также использовать переходники для розетки.
- ◆ Не допускается использовать шнур питания, чтобы поднимать или переносить электроприбор, вынимать вилку из розетки, потянув за шнур.
- ◆ Не накручивайте сетевой шнур на прибор.
- ◆ Не допускается пережимать или сильно сгибать шнур питания.
- ◆ Не допускается, чтобы шнур питания касался горячих частей прибора.
- ◆ Проверьте состояние сетевого кабеля. Поврежденный или запутанный шнур может быть причиной поражения электрическим током.
- ◆ Не прикасайтесь к сетевой вилке влажными руками.
- ◆ не допускается эксплуатировать электроприбор с поврежденным шнуром или вилкой питания;
- ◆ при любом повреждении корпуса электроприбора немедленно отключите его от сети, чтобы не допустить поражения электрическим током;
- ◆ Не допускается использовать прибор после падения на пол, если на нем имеются видимые следы повреждений или протечка.
- ◆ рабочее место, где используется прибор, должно быть чистым и хорошо освещенным. Беспорядок и недостаточное освещение могут стать причиной несчастного случая.
- ◆ Не ставьте прибор на горячие поверхности, такие, как конфорки, газовые горелки, печи и тому подобное.
- ◆ прибор нужно установить на ровную и устойчивую поверхность;

- ◆ Этот прибор не предназначен для использования на открытом воздухе.
- ◆ Сетевой шнур нужно периодически проверять, чтобы не допустить использование прибора с поврежденным шнуром питания.
- ◆ Людям, нечувствительным к высоким температурам, не рекомендуется использовать прибор (так как в нем есть нагревающиеся поверхности).
- ◆ Не трогайте нагревающиеся части прибора, так как это может вызвать серьезные ожоги.

ИСПОЛЬЗОВАНИЕ И УХОД:

- ◆ Не допускается эксплуатировать прибор, если принадлежности установлены недостаточно надежно;
- ◆ Не включайте прибор без воды;
- ◆ Не допускается эксплуатировать электроприбор с неисправным выключателем питания;
- ◆ Не перемещайте прибор во время использования.
- ◆ Во время заполнения водой соблюдайте уровни МАКС и МИН.
- ◆ Отсоедините электроприбор от сети после использования или для его очистки.
- ◆ Отключите прибор от сетевой розетки перед тем, как вновь наполнить резервуар для воды.
- ◆ Храните этот прибор вне досягаемости от детей и/или лиц с ограниченными физическими, сенсорными или умственными возможностями, а также тех, кто не знаком с правилами его использования.
- ◆ Не ставьте электроприбор на хранение, пока он горячий.
- ◆ Пользуйтесь прибором только тогда, когда в нем есть вода.
- ◆ Рекомендуется использовать бутилированную минеральную воду;
- ◆ Не оставляйте включенный электроприбор без присмотра. Это сохранит электроэнергию и продлит срок его службы.
- ◆ Не удаляйте держатель для фильтра во время приготовления кофе, так как в это время он находится под давлением.

Сервисное обслуживание:

- ◆ Ремонтировать прибор разрешается только квалифицированным специалистам с использованием только оригинальных запасных частей.
- ◆ любое неправильное использование или несоблюдение инструкций автоматически приводит к аннулированию гарантии и снятию ответственности производителя.

ОПИСАНИЕ

- A Кабель питания
- B Резервуар с водой
- C Крышка резервуара для воды
- D Горячая плита для нагревания чашек
- E Панель управления
- F Кнопка ON/OFF
- G1 Кнопка Одна чашка кофе
- G2 Кнопка Две чашки кофе
- H Кнопка Паровой нагрев
- I Паровая труба
- J Держатель фильтра
- K Мерная ложечка
- L Фильтр для молотого кофе (1 чашки)
- M Фильтр для молотого кофе (2 чашки)
- N Уровень поддона
- O Поддон
- P Решетка для поддона
- R Регулятор подачи пара

ИНСТРУКЦИЯ ПО ЭКСПЛУАТАЦИИ

ПЕРЕД ИСПОЛЬЗОВАНИЕМ:

- ◆ Убедитесь, что с прибора была снята упаковка.
- ◆ Прежде чем использовать этот прибор в первый раз, рекомендуется проверить его, используя только воду.
- ◆ Перед первым использованием очистите все части, которые будут контактировать с продуктами питания, как описывается в разделе, посвященном чистке.
- ◆ Перед тем, как подключить прибор, убедитесь, что регулятор пара (R) закрыт, повернув его по часовой стрелке.

Первичное использование:

- ◆ Эта простая операция обеспечивает оптимальное дозирование и должна выполняться:
- ◆ При первом подключении прибора
- ◆ Если прибор не использовался в течение долгого времени (1 или 2 недели)
- ◆ После подачи пара
- ◆ Когда в резервуаре закончилась вода.
- ◆ При заполнении следите за отметкой MAX уровень.

- ◆ Подключите прибор к электросети.
- ◆ Нажмите кнопку on /off (F) Загорится индикатор питания.
- ◆ Когда прибор начинает нагреваться, индикаторы 1 чашки кофе, 2 чашек кофе и индикатор пара будут мигать; когда предварительный нагрев прибора будет завершен, все индикаторы станут гореть постоянно.
- ◆ Не устанавливая держатель фильтра (или с установленным держателем фильтра, но без кофе), поместите емкость под паровую трубку (I)
- ◆ Откройте регулятор пара (R), повернув его против часовой стрелки
- ◆ Нажмите кнопку G2 Две чашки кофе.
- ◆ Из паровой трубки польется вода. Подождите, пока нальется примерно одна чашка
- ◆ При первом использовании прибора в резервуаре для воды нет воды, поэтому вероятно, вам нужно будет повторить эту операцию перед тем, как набрать воду.
- ◆ Для завершения, так как количество жидкости запрограммировано, прибор остановится автоматически, но вы всегда можете остановить подачу по своему желанию. Для этого вновь нажмите кнопку кофе для остановки и закройте регулятор пара (R), повернув его по часовой стрелке
- ◆ Это завершит операцию по первичному использованию прибора.

Заливка воды:

- ◆ Перед включением прибора резервуар должен быть заполнен водой.
- ◆ Выньте резервуар для воды.
- ◆ При заполнении следите за отметкой уровня MAX.
- ◆ Установите резервуар для воды обратно в корпус прибора.

ЗАПРАВКА КОФЕ:

- ◆ Извлеките держатель для фильтра.
- ◆ Поместите выбранный молотый кофейный фильтр (L или M) в держатель для фильтра
- ◆ Мы рекомендуем использовать натуральный обжаренный кофе, так как использование кофе других типов обжарки может повлиять на работоспособность кофемашины.
- ◆ Заполните съемный фильтр молотым кофе (из расчет от 6 до 7 г на чашку).
- ◆ Если вы хотите приготовить 1 чашку кофе, используйте 1 кофейный фильтр, наполните ковшик (1 ложка) из расчета, что емкость мерной ложки равна

одной чашке кофе.

- ◆ Для приготовления 2 чашек кофе, используйте фильтр для 2 чашек кофе (M), иположите 2 ложки.
- ◆ Затем слегка уплотните молотый кофе задней частью ложки.
- ◆ Снова установите держатель фильтра в прибор.
- ◆ Поместите держатель для фильтра в корпус кофемашины, установив корпус, начав снизу, в положение крепления и повернув его слева направо, пока он не заблокируется.

ИСПОЛЬЗОВАНИЕ:

Приготовление эспрессо

- ◆ Перед тем, как включить прибор, проверьте, что регулятор пара (R) закрыт, повернув его по часовой стрелке.
- ◆ Подключите прибор к электросети.
- ◆ Включите прибор, нажав ON на кнопке on/off(F).
- ◆ Индикаторы 1 чашки кофе, 2 чашек кофе и пара будут мигать, машина начнет предварительный нагрев. После этого все индикаторы станут гореть постоянно. Это означает, что необходимая температура была достигнута.
- ◆ Поместите одну или две предварительно нагретые чашки на выходное отверстие фильтра.
- ◆ Нажмите кнопку кофе (G1 или G2). Начнет литься кофе.
- ◆ Подача кофе остановится автоматически, когда его стандартное количество будет достигнуто.
- ◆ Для изменения количества кофе
- ◆ Нажмите и удерживайте кнопку "1 чашка кофе" в течение 3 секунд, кнопка "1 чашка кофе" начнет мигать; войдя в режим настройки, нажмите кнопку "1 чашка кофе" еще раз, чтобы начать подачу кофе, по достижении заданного времени нажмите кнопку "1 чашка кофе" для завершения настройки, которую должен запомнить прибор. Вы можете выполнить то же самое действие для кнопки "2 чашки кофе".
- ◆ После завершения работы, подождите несколько секунд и выньте чашки из кофемашины.
- ◆ Выньте держатель для фильтра и опорожните его.
- ◆ Промойте держатель для фильтра под проточной водой и тщательно его высушите.
- ◆ Убедитесь, что съемный фильтр установлен в держатель для фильтра должным образом.
- ◆ Снова установите держатель фильтра в прибор.

Горячая вода:

- ◆ Установите прибор в положение ON, нажав кнопку ON/OFF (F).
- ◆ Индикаторы 1 чашки кофе, 2 двух чашек кофе и пара будут мигать, прибор начнет предварительный нагрев. Прибор завершит предварительный нагрев тогда, когда все индикаторы станут гореть постоянно. Это будет указывать на то, что вода достигла необходимой температуры
- ◆ Поместите чашку под сопло.
- ◆ Откройте регулятор пара (R), повернув его влево, против часовой стрелки.
- ◆ Нажмите одну из кнопок подачи кофе (G1-G2).
- ◆ Пожалуйста, обратитесь к процедуре, описанной в разделе «Приготовление эспрессо» при необходимости настройки времени нагревания для горячей воды.
- ◆ Горячая вода начнет выливаться из парогенератора.
- ◆ Как только вы получили желаемое количество горячей воды, нажмите кнопку кофе (G1 или G2) снова, и ее подача прекратится.
- ◆ Закройте регулятор подачи пара(R), повернув его направо, по часовой стрелке.

Получение пара:

- ◆ Пар используется для вспенивания молока для капучино, а также для нагрева других жидкостей.
- ◆ Включите прибор, используя кнопку on/off.
- ◆ Когда прибор начнет предварительный нагрев, индикаторы кнопок "1 чашка кофе", "2 чашки кофе" и индикатор пара будут мигать; необходимая температура кофе будет достигнута после того, как все индикаторы станут гореть постоянно.
- ◆ Для подачи пара, нажмите кнопку Паровой нагрев (H), индикатор Пар будет мигать, нагрев продолжится, пока необходимая температура для подачи пара не будет достигнута.
- ◆ Индикатор Пар будет гореть постоянно, указывая на то, что вода достигла необходимой температуры для подачи пара.
- ◆ Примечание: Во время работы индикатор регулятора пара будет периодически включаться и выключаться для поддержания заданной температуры.
- ◆ Поместите емкость под паровую трубку.
- ◆ Откройте регулятор подачи пара (R), повернув его против часовой стрелки.
- ◆ Начнет выходить только пар.
- ◆ Когда его будет достаточно, закройте регулятор и снимите емкость.

ЭТО ВАЖНО

- ◆ Когда подача пара будет окончена, вы должны заменить воду, использовавшуюся для образования пара, и одновременно восстановить температуру (более низкую) для приготовления кофе.
- ◆ Для этого, открыв регулятор пара, предварительно нажав на значок Пар для остановки нагрева, нажмите кнопку кофе / вода (G1 или G2), которая активирует подачу.
- ◆ Поставьте емкость под трубку.
- ◆ Когда вода начнет выливаться из паровой трубки, это будет означать, что температура для приготовления кофе была восстановлена, и бойлер заполнен. Теперь вы можете закрыть регулятор пара и установить кнопку кофе (G) в положение Стоп.

Функция автоматического отключения:

- ◆ Приборы SOLAC разработаны для экономии энергии. Для этого через несколько минут после выполнения какой-либо операции прибор переключается в режим экономии энергии. Для того, чтобы вернуться к нормальной работе прибора, вам просто нужно установить на ON кнопку включения прибора (F)

После использования:

- ◆ Выключите прибор, нажимая переключатель on/off в течение 3 секунд.
- ◆ Отключите электроприбор от сети.
- ◆ вылейте воду из резервуара;
- ◆ очистите прибор;

ОЧИСТКА

Основная очистка

- ◆ Отсоедините электроприбор от сети после использования и дайте ему остыть.
- ◆ Очистите прибор, используя влажную ткань и несколько капель чистящей жидкости, а затем сухую ткань.
- ◆ Не допускается использовать растворители или продукты на основе кислоты или с высоким уровнем pH, например, отбеливатель, а также абразивные чистящие вещества.
- ◆ не допускайте попадания внутрь через отверстия для прохождения воздуха воды или иной жидкости, чтобы не повредить внутренние части;
- ◆ Никакие части этого электроприбора не допускаются

мыть в посудомоечной машине.

- ◆ После очистки перед тем, как собрать и поместить на хранение все детали, высушите их.

Очистка крана для вспенивания

- ◆ **ВНИМАНИЕ:** Кран для вспенивания и его окончечник могут быть **ОЧЕНЬ ГОРЯЧИМИ**.
- ◆ Рекомендуется очищать и вытирать кран после вспенивания молока, чтобы предотвратить отложение грязи и перед тем, как выключить машину
- ◆ Чтобы сделать это, потяните вниз кран для вспенивания и очистите его под теплой проточной водой.
- ◆ Наполните чашку небольшим количеством воды, опустите кран для вспенивания в воду.
- ◆ Пропустите горячую воду через трубку, следуя инструкциям, содержащимся в разделе "Горячая вода".
- ◆ Используйте ткань для того, чтобы высушить кран для вспенивания, и установите его на место.
- ◆ Если из крана для вспенивания не выходит пар, значит затвердевшее молоко блокирует его путь. Аккуратно используйте иглу, чтобы очистить отверстие от остатков молока, чтобы позволить пару выходить из крана,
- ◆ После чистки, промойте кран под проточной водой и вновь соберите его. Затем снова подайте пар.

Очистка отложений:

- ◆ Для правильной работы в приборе не должно быть отложений и накипи, которые образуются от использования с жесткой водой.
- ◆ Чтобы предупредить образование накипи рекомендуется использовать воду с низким содержанием минералов.
- ◆ В противном случае, если нет возможности использовать такую воду, рекомендуется периодически удалять накипь:
- ◆ Каждые 6 недель, если вода очень жесткая.
- ◆ Каждые 12 недель, если вода жесткая.
- ◆ Для этого рекомендуется использовать специальное средство от накипи, предназначенное для таких приборов, которое можно найти в специализированных магазинах и уполномоченных технических центрах.
- ◆ Использовать домашние средства, такие как уксус, не рекомендуется.

Неисправности и ремонт

- ◆ В случае неисправности отнесите электроприбор в сервисный центр. Не пытайтесь самостоятельно отремонтировать электроприбор — это может быть

опасно.

- ◆ Неисправный шнур питания нужно заменить, поступая так, как и в случае любой неисправности.
- ◆ Если вы выявите какую-либо неполадку, сверьтесь со следующей таблицей:

Неполадки	Возможные причины	Решения
Вода вытекает со стороны держателя для фильтра.	Держатель для фильтра установлен неправильно. Край сита покрыт кофе. Детали для варки кофе загрязнены.	См. секцию «Загрузка кофе» Очиститесито вокруг краев и очистите детали для варки кофе. Очистите влажной тканью.
Не выходит кофе.	Нет воды. Резервуар для воды не установлен должным образом. Отверстия для фильтра забиты, кофе слишком мелкий или слишком спрессован	Заполните резервуар водой. Убедитесь, что резервуар надежно закрыт. Опустошите контейнер для фильтра и помойте под водой. Очистите варочный механизм влажной тканью. Снова заполнитесито и слегка уплотните кофе.
Кофе выходит медленно или капает по одной капле.	Помол кофе слишком мелкий или кофе слишком спрессован.	Убедитесь, что помол кофе нормальный и что кофе не слишком спрессован.
Кофе выходит без пенки	У использованного кофе вышел срок годности Кофе был недостаточно спрессован. Молотый кофе слишком грубый.	Используйте свежий кофе. Храните кофе в герметичном контейнере. Слегка уплотните кофе Помелите кофе более мелко
Кофе выходит слишком быстро	Молотый кофе слишком грубый Недостаточное количество кофе в сите. Кофе был недостаточно спрессован .	Помелите кофе более мелко Убедитесь, что в сите имеется достаточное количество кофе. Слегка уплотните кофе
Из трубки не выходит пар.	Трубка, из которой выходит пар, забита.	Очистите паровую трубку влажной тканью, чтобы убрать остатки засохшего молока, и разблокируйте отверстия, используя иголку. Нажмите соответствующий переключатель и выливайте «горячую воду», пока она не потечет равномерно.

Для изделий в версии ЕС и/или, если этого требует законодательство в вашей стране:

Экология и вторичное использование

Материалы упаковки прибора принимаются системой сбора и сортировки материалов для вторичного их использования. Для утилизации используйте бытовые контейнеры для каждого типа мусора.

В изделии нет веществ в концентрациях, которые считаются вредными для окружающей среды.



Этот значок означает, что после окончания срока службы для утилизации электроприбора отнесите его в пункт сбора электрических и электронных отходов (WEEE) (WEEE)

Этот прибор выполнен в соответствии с Директивой по низковольтному оборудованию 2014/35/EU, Директивой по электромагнитной совместимости 2014/30/EU, Директивой 2011/65/EU, ограничивающей использование некоторых опасных веществ в электрическом и электронном оборудовании, а также Директивой 2009/125/EC по экологическим требованиям к изделиям, потребляющим энергию.

ГАРАНТИЯ И ТЕХНИЧЕСКАЯ ПОДДЕРЖКА

Этот продукт защищен юридической гарантией в соответствии с действующим законодательством. Чтобы обеспечить соблюдение ваших прав или интересов, вы должны обратиться в любую из наших официальных служб по технической поддержке клиентов. Вы можете найти ближайшие из центров, пройдя по следующей веб-ссылке: <http://www.2helpu.com/> Вы также можете запросить соответствующую информацию, связавшись с нами (см. последнюю страницу руководства). Вы можете скачать это руководство и обновления к нему по адресу <http://www.2helpu.com/>

CAFETIERĂ BXCO850E

Stimate client,

Vă mulțumim că ați ales să cumpărați un produs marca BLACK+DECKER.

Datorită tehnologiei sale, designului și modului de funcționare, precum și faptului că depășește cele mai stricte standarde de calitate, se poate garanta o utilizare pe deplin satisfăcătoare și de lungă durată a produsului.

SFATURI ȘI AVERTISMENTE SIGURANȚĂ

- ◆ Înainte de a porni aparatul, citiți cu atenție aceste instrucțiuni și păstrați-le pentru a le putea consulta în viitor. Nerespectarea acestor instrucțiuni poate provoca un accident.
- ◆ Acest aparat este destinat utilizării în gospodărie, nu celei profesionale sau industriale. Nu este destinat utilizării de către clienți în medii de tip hotel, de exemplu pensiuni, hoteluri, moteluri și alte tipuri de medii rezidențiale, chiar și case țărănești, în zonele de bucătărie rezervate personalului din magazine, birouri și alte medii de lucru.
- ◆ Înainte de utilizare, curățați toate componentele produsului care vor fi în contact cu alimentele, așa cum este indicat în secțiunea de curățare.
- ◆ Acest aparat poate fi utilizat de către copiii cu vârsta minimă de 8 ani și de persoanele cu capacități fizice, senzoriale sau mentale reduse sau fără experiență și cunoștințe, dacă aceștia sunt supravegheați sau instruiți cu privire la utilizarea aparatului în condiții de siguranță și înțeleg pericolele implicate.
- ◆ Curățarea și întreținerea destinate utilizatorului nu trebuie efectuate de copii decât dacă au vârsta de cel puțin 8 ani și sunt supravegheați.
- ◆ Nu lăsați aparatul și cablul acestuia la îndemâna copiilor cu vârsta de sub 8 ani.
- ◆ Acest aparat nu este o jucărie. Copiii trebuie supravegheați pentru a vă asigura că nu se joacă cu aparatul.
- ◆ Nu introduceți niciodată aparatul în apă sau orice alt lichid și nici nu țineți aparatul sub jet de apă.
- ◆ Dacă cablul de alimentare este deteriorat, acesta trebuie înlocuit de producător, de agentul de service sau de persoane calificate în mod similar, pentru a evita pericolul.
- ◆ ATENȚIE: Suprafața elementului de încălzire este supusă la căldură reziduală după utilizare.
- ◆ Înainte de a conecta aparatul, verificați dacă tensiunea de pe plăcuța de identificare a aparatului corespunde celei de la rețeaua de alimentare.
- ◆ Conectați aparatul la o priză cu împământare de minim 10 amperi.
- ◆ Ștecherul aparatului trebuie să intre corect în priză. Nu modificați ștecherul. Nu utilizați adaptoare pentru ștechere.

- ◆ Nu forțați cablul de alimentare. Nu utilizați niciodată cablul electric pentru a ridica, transporta sau decupla aparatul.
- ◆ Nu înfășurați cablul de alimentare în jurul aparatului.
- ◆ Nu prindeți cu cleme și nici nu pliați cablul de alimentare.
- ◆ Nu lăsați cablul de alimentare să intre în contact cu suprafețele fierbinți ale aparatului.
- ◆ Verificați starea cablului de alimentare. Cablurile deteriorate sau încurcate măresc riscul de electrocutare.
- ◆ Nu atingeți ștecherul cu mâinile ude.
- ◆ Nu utilizați aparatul dacă acesta are ștecherul sau cablul de alimentare deteriorat.
- ◆ Dacă una din părțile carcasi aparatului se sparge, deconectați imediat aparatul de la rețea, pentru a preveni posibilitatea unui șoc electric.
- ◆ Nu utilizați aparatul dacă a fost scăpat pe podea, dacă există semne vizibile de deteriorare sau dacă prezintă scurgeri.
- ◆ Nu puneți aparatul pe suprafețe fierbinți, cum ar fi plitele, arzătoarele aragazurilor, cuptoarele sau altele asemănătoare.
- ◆ Aparatul trebuie utilizat și amplasat pe o suprafață plană și stabilă.
- ◆ Acest aparat nu este adecvat pentru utilizarea în exterior.
- ◆ Nu utilizați aparatul, în cazul persoanelor insensibile la căldură (deoarece aparatul are suprafețe încălzite).
- ◆ Nu atingeți părțile încălzite ale aparatului, deoarece ele vă pot produce arsuri grave.

UTILIZARE ȘI ÎNGRIJIRE:

- ◆ Nu utilizați aparatul dacă accesoriile sale nu sunt montate corespunzător.
- ◆ Nu porniți aparatul fără să aibă apă.
- ◆ Nu utilizați aparatul dacă întrerupătorul pentru pornire/oprire nu funcționează.
- ◆ Nu mișcați aparatul în timpul utilizării.
- ◆ Respectați nivelurile MAX și MIN.
- ◆ Deconectați aparatul de la rețeaua de alimentare atunci când nu îl utilizați și înainte de a-l curăța.
- ◆ Înainte de a umple rezervorul de apă, scoateți aparatul din priză.
- ◆ Depozitați aparatul într-un loc care să nu fie la îndemâna copiilor și/sau a persoanelor cu capacități fizice, senzoriale sau mentale reduse, ori care nu au experiența sau cunoștințele necesare.
- ◆ Nu depozitați aparatul dacă mai este fierbinte.
- ◆ Utilizați numai apă pentru aparat.

- ◆ Utilizarea apei minerale îmbuteliate, adaptate pentru consumul oamenilor, este recomandată.
- ◆ Nu lăsați niciodată aparatul conectat și nesupravegheat dacă nu este utilizat. Astfel se economisește energie și se prelungeste durata de viață a aparatului.
- ◆ Nu scoateți suportul filtrului când se face cafea, deoarece la acel moment este sub presiune.

DEPANARE

- ◆ Orice utilizare necorespunzătoare sau nerespectarea instrucțiunilor determină garanția și responsabilitățile producătorului să devină nule și neavenite.

DESCRIERE

- A Cablu de alimentare
- B Rezervor de apă
- C Capacul rezervorului pentru apă
- D Reșou pentru încălzirea ceștilor
- E Panou de control
- F Buton ON/OFF
- G1 Buton pentru o singură cafea
- G2 Buton pentru două cafele
- H Buton pentru încălzire cu abur
- I Conductă vaporizatoare
- J Suport pentru filtru
- K Lingură de măsurare
- L Filtru de cafea (1 cană)
- M Filtru de cafea (2 cești)
- N Nivel tavă de scurgere
- O Tavă de scurgere
- P Grilaj tavă
- R Buton pentru abur

INSTRUCȚIUNI DE UTILIZARE

ÎNAINTE DE UTILIZARE:

- ◆ Asigurați-vă că ați înlăturat toate ambalajele produsului.
- ◆ Înainte de a utiliza acest produs pentru prima dată, este recomandabil să îl testați folosind doar apă.
- ◆ Tot înainte de prima utilizare, curățați componentele care vor intra în contact cu alimentele în modul prezentat în secțiunea despre curățare.
- ◆ Înainte de a conecta mașina, verificați dacă butonul pentru abur (R) este închis rotindu-l spre dreapta.

Amorsarea circuitului:

- ◆ Această operație simplă asigură distribuția optimă și trebuie să fie efectuată:
- ◆ La prima pornire:
- ◆ Când aparatul nu a mai fost utilizat pentru o perioadă lungă de timp (1 sau 2 săptămâni)
- ◆ După utilizarea funcției pentru abur
- ◆ Când rezervorul a rămas fără apă.
- ◆ Umpleți recipientul cu respectarea nivelului MAX
- ◆ Conectați aparatul la rețeaua electrică.
- ◆ Apăsăți butonul ON/OFF (F) o dată (indicatorul roșu ON/OFF va fi iluminat).
- ◆ Indicatoarele pentru 1 ceașcă de cafea, 2 cești de cafea și abur clipește, mașina începe să se încălzească, după ce toate indicatoarele sunt aprinse constant, preîncălzirea este finalizată
- ◆ Fără a monta suportul filtrului (sau cu suportul filtrului montat, dar fără cafea), poziționați un recipient sub conducta cu abur (I)
- ◆ Deschideți butonul pentru abur (R) prin rotirea către stânga.
- ◆ Apăsăți butonul pentru cafea G2.
- ◆ Apa va ieși prin conducta cu abur. Așteptați până când aproximativ o ceașcă plină a fost umplută
- ◆ Prima dată când folosiți mașina, nu există apă în fierbător, deci este posibil să fie necesar să repetați această operație înainte de a obține apă
- ◆ Pentru a termina prepararea, deoarece cantitatea de lichid este programată, se va opri automat, dar o puteți opri întotdeauna când doriți. Pentru a face acest lucru, apăsați din nou butonul de cafea pentru a opri și închideți butonul pentru abur (R) rotindu-l spre dreapta
- ◆ Aceasta va finaliza operația de amorsare.

Umplerea cu apă:

- ◆ Recipientul trebuie să fie umplut cu apă înainte de pornirea aparatului.
- ◆ Scoateți rezervorul de apă.
- ◆ Umpleți recipientul cu respectarea nivelului MAX
- ◆ Remontați rezervorul în carcasa acestuia, asigurându-vă că este bine montat.

ADĂUGAREA CAFELEI:

- ◆ Îndepărtați suportul pentru filtru.
- ◆ Poziționați filtrul de cafea ales (L sau M) în suportul filtrului
- ◆ Recomandăm utilizarea cafelei naturale, pentru că utilizarea cafelei prăjite poate afecta funcționarea aparatului.

- ◆ Umpleți filtrul detașabil cu cafea măcinată (6 la 7 g per ceașcă).
- ◆ Dacă doriți să faceți o cafea, utilizați filtrul pentru o singură cafea, umpleți polonicul (o lingură) și folosiți capacitatea lingurii de măsurare ca măsură pentru o singură cafea.
- ◆ Pentru 2 cafele, utilizați filtrul pentru 2 cești (M), și puneți 2 linguri.
- ◆ Apoi apăsați ușor în jos cafeaua măcinată și spatele lingurii.
- ◆ Montați suportul filtrului în aparat încă o dată.
- ◆ Poziționați suportul filtrului în ansamblul pentru cafea introducând ansamblul de jos în poziția de inserare și rotind-l de la stânga la dreapta până se blochează..

UTILIZARE

Prepararea espresso-ului

- ◆ Înainte de a conecta mașina, verificați dacă butonul pentru abur(R) este închis, rotindu-l spre dreapta.
- ◆ Conectați aparatul la rețeaua electrică.
- ◆ Puneți aparatul în funcțiune, acționând butonul on/off (F)
- ◆ Indicatoarele pentru 1 ceașcă de cafea, 2 cești de cafea și pentru abur clipește, mașina începe preîncălzirea. După aceea, toți indicatorii rămân aprinși. Acest lucru înseamnă că temperatura este corectă.
- ◆ Poziționați una sau două cești pre-încălzite la ieșirea suportului pentru filtru.
- ◆ Apăsăți butonul pentru cafea (G1 sau G2). Infuzia de cafea va începe să iasă.
- ◆ Cafeaua se va opri automat la atingerea cantității standard.
- ◆ Pentru a personaliza volumul de cafea
- ◆ Apăsăți și mențineți apăsat butonul pentru 1 ceașcă timp de 3 secunde, butonul pentru 1 ceașcă clipește, intrând în modul de setare, apăsați din nou butonul pentru 1 ceașcă pentru a începe distribuția cafelei, când este atins timpul specificat, apăsați butonul pentru 1 ceașcă pentru a finaliza setarea care poate fi memorată de către unitate. Puteți face același lucru pentru butonul pentru 2 cești.
- ◆ După finalizarea servirii, așteptați câteva secunde și îndepărtați ceștile cu cafea.
- ◆ Îndepărtați suportul filtrului și goliți zațul din acesta.
- ◆ Spălați suportul pentru filtru cu apă de la robinet și uscați-l bine.
- ◆ Verificați dacă filtrul detașabil este montat perfect în suportul pentru filtru.
- ◆ Montați suportul filtrului în aparat încă o dată.

Obținerea apei fierbinți:

- ◆ Puneți dispozitivul pe poziția ON, apăsând butonul ON/OFF (F)
- ◆ Indicatorii pentru 1 ceașcă de cafea, 2 cești de cafea și pentru abur clipeșc, mașina începe preîncălzirea. După ce toți indicatorii rămân aprinși constant, preîncălzirea este finalizată. Această situație indică faptul că apa a ajuns la nivelul corespunzător
- ◆ Puneți un recipient sub duză.
- ◆ Deschideți elementul de control al aburului (R), rotindu-l spre stânga.
- ◆ Apăsăți unul dintre butoanele de distribuire a cafelei (G1-G2).
- ◆ Vă rugăm să consultați operațiunea descrisă în secțiunea „Prepararea espresso-ului” atunci când trebuie să reglați durata pentru prepararea apei calde.
- ◆ Apa fierbinte a început să curgă din vaporizator.
- ◆ Odată ce ați obținut cantitatea dorită de apă fierbinte, apăsați din nou butonul de distribuire a cafelei (G1 sau G2), iar pompa se va opri.
- ◆ Închideți butonul rotund de rotire (R), răsucind spre dreapta.

Obținerea aburului:

- ◆ Aburul este utilizat pentru a prepara spuma de lapte pentru cappuccino și pentru a încălzi alte lichide.
- ◆ Porniți aparatul, utilizând butonul on/off.
- ◆ Indicatorii pentru 1 ceașcă de cafea, 2 cești de cafea și pentru abur clipeșc, mașina începe preîncălzirea, după ce toți indicatorii rămân aprinși constant, înseamnă că s-a atins temperatura potrivită pentru cafea.
- ◆ Pentru abur, apăsați butonul de încălzire cu abur (H), în timp ce pictograma pentru abur clipește, și continuați încălzirea până când temperatura pentru abur este atinsă.
- ◆ Indicatorul luminos pentru abur va lumina constant, indicând faptul că apa a atins temperatura necesară pentru generarea de abur.
- ◆ Notă: În timpul funcționării, indicatorul butonului pentru abur se va aprinde și stinge în mod repetat pentru a menține temperatura dorită.
- ◆ Introduceți un recipient sub duza pentru abur.
- ◆ Deschideți butonul pentru abur (R) înspre stânga
- ◆ Aburul va începe să iasă.
- ◆ Atunci când aveți suficient abur, închideți controlul și îndepărtați recipientul.

IMPORTANT

- ◆ Când terminați aburul, trebuie să înlocuiți apa folosită

pentru a face abur și, în același timp, să reveniți la temperatura precedentă (mai mică) pentru a face cafea.

- ◆ TPentru a face acest lucru, cu butonul pentru abur deschis, după ce ați apăsați anterior pe pictograma pentru abur pentru a opri încălzirea, apăsați butonul pentru cafea/apă (G1 sau G2), care va activa pompa.
- ◆ Plasați un recipient sub tub.
- ◆ Când apa începe să curgă prin conducta de abur, înseamnă că a revenit la temperatura pentru cafea și că boilerul a fost umplut. Acum puteți închide butonul rotund pentru abur și să împingeți butonul pentru cafea (G) în poziția Stop.

Funcția de oprire automată:

- ◆ Aparatele BLACK+DECKER sunt proiectate pentru a economisi energie.
- ◆ Pentru aceasta, după câteva minute de la ultima funcționare, unitatea trece în mod de economisire a energiei.
- ◆ Pentru a reveni la funcționarea normală trebuie doar să apăsați -butonul de conectare.
- ◆ Pentru a vă reîntoarce la operațiunea normală trebuie să apăsați OFF și ON pe butonul de conectare (F).
- ◆ După ce ați terminat de utilizat aparatul:
- ◆ Opiți aparatul, apăsând butonul on/off (F) timp de câteva secunde
- ◆ Scoateți aparatul din priză.
- ◆ Scoaterea apei din rezervorul de apă
- ◆ Curățați aparatul.

CURĂȚARE

Curățarea de bază

- ◆ Decuplați aparatul de la priză și lăsați-l să se răcească înaintea oricărei operații de curățare.
- ◆ Curățați aparatul cu o cârpă umedă și câteva picături de lichid de spălare, apoi uscați-l.
- ◆ Nu utilizați solvenți sau produse cu pH acid sau bazic, de exemplu înălbitori sau produse abrazive, pentru curățarea aparatului.
- ◆ Nu lăsați apa sau orice alt lichid să pătrundă în gurile de aerisire, pentru a evita deteriorarea pieselor interne ale aparatului..
- ◆ Nicio componentă a aparatului nu este potrivită pentru curățare în mașina de spălat vase.
- ◆ După spălare, uscați toate componentele înainte de a le monta împreună și a depozita aparatul.
- ◆ Curățarea bageței de aburi
- ◆ ATENȚIE: Bageța tubului vaporizator și manșonul

tubului vaporizator pot fi FOARTE FIERBINȚI.

- ◆ Se recomandă curățarea și ștergerea baghetei tubului vaporizator după vaporizarea laptelui pentru a preveni depozitarea murdăriei înainte de a opri aparatul.
- ◆ Pentru a face acest lucru, trageți manșonul tubului vaporizator în jos și curățați-l sub jet de apă caldă.
- ◆ Umpleți o cană cu puțină apă, scufundați bagheta tubului vaporizator în apă.
- ◆ Scurgeți apa fierbinte prin țeavă, urmând instrucțiunile „Obținerea apei fierbinți”.
- ◆ Utilizați o cârpă pentru a usca bagheta tubului vaporizator și puneți la loc manșonul tubului vaporizator.
- ◆ În cazul în care nu iese abur din bagheta tubului vaporizator, înseamnă că laptele întărit blochează bagheta. Utilizați cu grijă un ac pentru a curăța resturile de lapte de la deschiderea vârfului tubului vaporizator pentru a elimina orice blocaj,
- ◆ După curățare, clătiți cu apă de la robinet și reasamblați. După care utilizați tubul din nou.

Tratarea depunerilor de calcar:

- ◆ Pentru ca aparatul să funcționeze corect, trebuie menținut fără depunerile de tartru sau magneziu create prin

folosirea apei dure.

- ◆ Pentru a preveni acest tip de problemă, noi recomandăm utilizarea apei cu conținut scăzut de calcar sau magneziu.
- ◆ Totuși, dacă nu puteți utiliza tipul de apă recomandat mai sus, trebuie să îndepărtați periodic depunerile de calcar de pe aparat:
 - ◆ La fiecare 6 săptămâni dacă apa este „foarte dură”.
 - ◆ La fiecare 12 săptămâni dacă apa este „dură”.
- ◆ Pentru a face acest lucru, noi recomandăm utilizarea unui produs special Decal pentru acest tip de aparat, care poate fi găsit în magazinele specializate și servicii tehnice autorizate.
- ◆ Soluțiile improvizate nu sunt recomandate pentru detrajul acestui aparat, de exemplu utilizarea oțetului.

ANOMALII ȘI REPARAȚII

- ◆ Dacă apar probleme, duceți aparatul la un serviciu de asistență tehnică autorizat. Nu încercați să-l demontați sau să-l reparați fără ajutor, deoarece poate fi periculos.
- ◆ Dacă detectați orice fel de anomalie, verificați tabelul următor:

Anomalie	Cauze posibile	Remedieri
Apa curge din partea laterală a suportului	Suportul filtrului nu este montat corect. Marginea sitei este acoperită cu cafea. Grupul de infuzare este murdar.	consultați secțiunea „adăugarea cafelei” Curățați sita în jurul marginii și curățați infuzorul grupului de cafea. Curățați cu o cârpă umedă.
Nu iese cafea	Nu există apă. Rezervorul de apă nu este plasat corespunzător. Găurile filtrului sunt înfundate, cafeaua a fost măcinată prea fin, sau a fost presată prea mult	Umpleți rezervorul pentru apă. Asigurați-vă că rezervorul este așezat corespunzător. Golțiți coșul filtrului și curățați-l cu apă. Curățați infuzorul cu o cârpă umedă. Umpleți, din nou, sita, și compresăți ușor, cafeaua
Cafeaua curge ușor, sau picătură cu picătură	Cafeaua este măcinată prea fin sau prea compresată	Asigurați-vă că procesul de măcinare este cel corect, iar cafeaua nu este prea compresată.
Cafeaua iese fără lapte	Cafeaua folosită este expirată. Cafeaua nu a fost compresată suficient Cafeaua măcinată este prea grunjoasă.	Utilizați cafea proaspătă, și după deschidere, depozitați într-un recipient ermetic. Presăți, ușor, cafeaua. Măcinați cafeaua mai fin
Cafeaua iese prea repede	Cafeaua măcinată este prea grunjoasă. Nu există suficientă cafea în sită. Cafeaua nu a fost compresată suficient	Măcinați cafeaua mai fin. Asigurați-vă că în sită se află cantitatea potrivită de cafea. Presăți ușor cafeaua
Nu ies aburi din tubul vaporizator	Tubul este înfundat	Curățați tubul pentru aburi cu o cârpă umedă pentru a îndepărta urmele uscate de lapte și deblocați găurile cu un ac. Apăsăți pe întrerupătorul corespunzător și îndepărtați „apa fierbinte” până ce aceasta va țâșni continuu

Pentru versiunile UE ale produselor și/sau în cazul în care este obligatoriu în țara dvs.:

ECOLOGIE ȘI RECICLAREA PRODUSULUI

- ◆ Materialele din care este alcătuit ambalajul acestui produs sunt incluse într-un sistem de colectare, clasificare și reciclare. Dacă doriți să le aruncați, vă rugăm să folosiți pubelele publice corespunzătoare fiecărui tip de material.
- ◆ Produsul nu conține substanțe în concentrații care ar putea fi considerate ca dăunătoare pentru mediu.



Acest simbol înseamnă că, în cazul în care doriți să aruncați aparatul la încheierea duratei sale de funcționare, trebuie să-l duceți la un centru de colectare a deșeurilor autorizat, în vederea colectării selective a deșeurilor de echipamente electrice și electronice (WEEE).

Acest aparat respectă Directiva 2014/35/EU cu privire la echipamentele electrice destinate utilizării în cadrul unor anumite limite de tensiune, Directiva 2014/30/EU cu privire la compatibilitatea electromagnetă, Directiva 2011/65/EU privind restricțiile de utilizare a anumitor substanțe periculoase în echipamentele electrice și electronice, precum și Directiva 2009/125/EC de instituire a unui cadru pentru stabilirea cerințelor în materie de proiectare ecologică aplicabile produselor cu impact energetic.

GARANȚIE ȘI ASISTENȚĂ TEHNICĂ

Acest produs beneficiază de recunoașterea și protecția garanției legale în conformitate cu legislația în vigoare. Pentru a vă exercita drepturile sau interesele, trebuie să vă adresați unuia dintre service-urile noastre oficiale de asistență tehnică.

Puteți găsi cel mai apropiat serviciu de asistență tehnică accesând următorul link web: <http://www.2helpu.com/>.

De asemenea, puteți solicita informații conexe, contactând-ne (consultați ultima pagină a manualului).

Puteți descărca acest manual de instrucțiuni și actualizările sale la <http://www.2helpu.com/>.

КАФЕ-МАШИНА ВХСО850Е

Уважаеми клиенти,

Благодарим Ви, че закупихте електроуред с марката BLACK+DECKER.

Технологията, дизайнът и функционалността на същия, както и фактът, че той надвишава най-стриктните норми за качество ще Ви донесат пълно и дълготрайно задоволство от него.

СЪВЕТИ ЗА БЕЗОПАСНОСТ И ПРЕДУПРЕЖДЕНИЯ

- ◆ Прочетете внимателно тази брошура, преди да пуснете уреда в действие. Запазете я за по-нататъшни справки. Несъобразяването с настоящите указания може да стане причина за произшествие.
- ◆ Този уред е предназначен единствено за битови нужди, а не за професионална или промишлена употреба. Настоящият уред не е предназначен за работа в ресторанти и заведения от вида "bed and breakfast", в хотели, мотели и други заведения за отдих, както и в обекти за селски туризъм, зони за готвене, запазени за личния състав на магазини, офиси и други видове работна среда.
- ◆ Преди да използвате ел. уреда за първи път, почистете всички части, намиращи се в допир с хранителните продукти, следвайки упътванията от раздел "Почистяване".
- ◆ Този уред може да бъде използван от хора, неумеещи да боравят с този вид продукти, хора с физически увреждания или деца над 8 години, само и единствено ако са под надзора на някой възрастен човек или ако предварително им е обяснено как трябва да използват уреда по сигурен начин и ако разбират съществуващите рискове.
- ◆ Деца следва да извършват почистването и поддръжката на уреда, единствено, ако са над 8 годишни и вършат това под надзора на възрастен човек.
- ◆ Съхранявайте уреда и защитавания кабел далеч от достъпа на деца под 8 години.
- ◆ Този уред не е играчка! Децата следва да се намират под надзор, така че да не играят с апарата.
- ◆ Не потапяйте уреда във вода или друга течност, и не го поставяйте под течаща вода.
- ◆ В случай, че защитаваният кабел е повреден, същият следва да бъде заменен от производителя, от службата за поддръжка или подобен квалифициран персонал, с цел да бъде избегнато произшествие.
- ◆ **ВНИМАНИЕ:** Повърхността на загряващия елемент остава нагрята след използването му.

- ◆ Преди да свържете уреда към мрежата, проверете дали посоченото на табелката с техническите характеристики напрежение съвпада с напрежението на електрическата мрежа.
- ◆ Включете уреда в заземен източник на електрически ток, издържащ най-малко 10 ампера.
- ◆ Щепселът на уреда следва да съвпада по вид с електрическия контакт. В никакъв случай не променяйте вида на щепсела. Не използвайте адаптори за щепсела.
- ◆ Не упражнявайте сила върху електрическия кабел. В никакъв случай не използвайте електрическия кабел за повдигане, пренасяне или изключване на апарата.
- ◆ Не навивайте електрическия кабел около уреда.
- ◆ Не допускайте притискане или прегъване на електрическия кабел.
- ◆ Не допускайте електрическият кабел да се допира до горещите повърхности на уреда.
- ◆ Проверявайте състоянието на захранващия кабел. Ако кабелът е повреден или навит около апарата, опасността от електрически удар нараства.
- ◆ Не докосвайте щепсела за включване в мрежата с мокри ръце.
- ◆ Не използвайте уреда при повреден кабел или щепсел.
- ◆ Ако някоя външна част на уреда се повреди, незабавно го изключете от захранващата мрежа, за да предотвратите опасността от електроудар.
- ◆ Забранена е употребата на уреда, ако същият е претърпял падане, ако има видими признаци за повреди, или при наличие на утечка.
- ◆ Не поставяйте уреда върху топли повърхности като плочи за готвене, газови котлони, фурни и др.
- ◆ Уредът следва да се постави и използва върху равна и устойчива повърхност.
- ◆ Този уред не е предназначен за употреба на открито.
- ◆ Моля, не използвайте уреда, ако сте нечувствителни към топлината, тъй като уредът има загретите повърхности.
- ◆ Моля, не пипайте загретите части на уреда това може да предизвика изгаряния.

УПОТРЕБА И ПРЕДПАЗНИ МЕРКИ:

- ◆ Не използвайте уреда при неправилно поставени приставки и филтри.
- ◆ Не включвайте уреда, ако в него няма вода.
- ◆ Не използвайте уреда при повредена система за включване/изключване.

- ◆ Не движете уреда, докато се намира в работен режим.
- ◆ Спазвайте МАКСИМАЛНОТО И МИНИМАЛНОТО ниво.
- ◆ Изключете уреда от захранващата мрежа, когато не го използвате и преди да го почистите.
- ◆ Изключете уреда от ел. мрежата преди да напълните резервоарчето с вода.
- ◆ Съхранявайте уреда далеч от досега на деца и/или хора с намалени физически, сензорни или умствени възможности, или такива без опит и познания за боравене с него.
- ◆ Не съхранявайте уреда, ако още не е изстинал.
- ◆ Използвайте уреда само с вода.
- ◆ Препоръчва се използването на бутилирана минерална вода, подходяща за питейни нужди.
- ◆ В никакъв случай не оставяйте включения уред без надзор. По този начин ще спестите енергия и ще удължите живота на ел. уреда.
- ◆ Не изваждайте носача на филтъра, докато кафето се приготвя, тъй като в този момент той се намира под налягане.

СЕРВИЗ

- ◆ Неправилното използване на уреда или неспазването на указанията за работа е опасно, анулира гаранцията и освобождава производителя от отговорност.

ОПИСАНИЕ

- A Кабел за свързване към мрежата
- B Резервоар за вода
- C Капак за резервоарче за вода
- D Повърхност за загряване на чаши
- E Контролно табло чрез докосване
- F Прекъсвач за вкл./изкл
- G1 Бутон изход на едно кафе
- G2 Бутон изход две кафета
- H Бутон за загряване на парата
- I Тръба за подаване на пара
- J Поставка за филтъра
- K Дозираща лъжица
- L Цедка за мляно кафе (1 чаша)
- M Цедка за мляно кафе (2 чаши)
- N Равнище на капкосъбирация поднос
- O Капкосъбираща тава
- P Решетка на съда за събиране на капките
- R Контролер за парата

НАЧИН НА УПОТРЕБА

ЗАБЕЛЕЖКИ ПРЕДИ УПОТРЕБА:

- ◆ Уверете се, че сте отстранили напълно всякакъв вид опаковка на уреда.
- ◆ Преди първата употребата на уреда, се препоръчва да се използва единствено с вода.
- ◆ Преди да използвате ел. уреда за първи път, почистете всички части, влизащи в контакт с хранителните продукти, следвайки упътванията от раздел "Почистяване".
- ◆ Преди включване на машината, уверете се, че контролерът за пара (R) е затворен, като завъртите посока на часовниковата стрелка.

Захранване на водонапорния кръг:

- ◆ Тези лесни стъпки осигуряват оптимално водоподаване и трябва да бъдат извършени:
- ◆ -Преди първата употреба.
- ◆ -Когато кафе-машината не се употребява в продължение на дълго време (1 или 2 седмици).
- ◆ След като създадете пара
- ◆ В случаите, когато резервоарчето е останал без вода.
- ◆ Напълнете резервоарчето с вода, като се стараете да не надхвърлите означението за равнище "MAX".
- ◆ Включете уреда в електрическата мрежа.
- ◆ Натиснете бутона за включено/изключено (F). Светлинният индикатор (ON/OFF) светва.
- ◆ Индикаторите за бутон за 1 чаша кафе, бутона за 2 чаши кафе и бутона за пара ще започнат да примигват; машината започва да се загрева, докато всички индикатори започнат да светят непрекъснато. Предзагряването е приключило.
- ◆ -Без да поставите носача на цедката (или при поставена такава, но без кафе), поставете съд към края на пароподателя (I).
- ◆ Отворете контролера за парата (R), като го завъртите в посока, обратна на часовниковата стрелка
- ◆ Натиснете бутон за кафе/вода (G2).
- ◆ От тръбата за парата ще започне да излиза пара. Изчакайте, докато изтече вода с обем около една чаша.
- ◆ Първият път, когато използвате машината няма вода в котелчето, поради което е възможно да се наложи да повторите операцията, преди да получите вода.
- ◆ За да завършите подаването, , тъй като количеството течност е програмирано, ще спре автоматично, но вие винаги може да го спрете, когато пожелаете. За целта натиснете повторно бутон за кафе, за да

спрете и затворите контролера за пара (R) завъртайки в посока, на часовниковата стрелка..

- ◆ С това е завършила операцията по захранване.

Пълнене с вода:

- ◆ Преди да включите уреда, задължително трябва да напълните резервоарчето с вода.
- ◆ Извадете резервоарчето от уреда.
- ◆ Напълнете резервоарчето със студена вода между означенията MAX и MIN
- ◆ Поставете отново резервоарчето на място като се уверите, че резервоарчето е прилегал добре.

Пълнене с кафе

- ◆ Отстранете подвижния филтър
- ◆ Поставете цедката за желаното смляно кафе (L ó M) в държача на цедката.
- ◆ Препоръчва се използване на естествено изпечено кафе. Изпеченото на огън кафе може да повреди машината.
- ◆ Напълнете с мляно кафе изваждаемата цедка, (сложете по 6 до7 г мляно кафе на чаша).
- ◆ Ако желаете да направите 1 бр. кафе, използвайте цедката за 1 кафе и го напълнете (1 лъжичка), вземете като мярка за 1 кафе вместимостта на дозиращата лъжичка.
- ◆ За 2 кафета използвайте цедката за 2 кафета и сложете 2 лъжички.
- ◆ След това, леко сбийте смляното кафе с дъното на лъжичката.
- ◆ Отново прикрепете държача на цедката към уреда.
- ◆ Поставете носача на блока за кафе, като го вкарате отдолу на блока в положение „вкарване“ (Отворен катинар) и го завъртете в посока, обратна на часовниковата стрелка, докато го поставите в положение на блокиране.

Употреба:

- ◆ Приготвяне на кафе еспресо
- ◆ Преди да включите машината, уверете се, че контролерът за пара (R) е затворен, като го затворите в посока на часовниковата стрелка.
- ◆ Включете уреда в електрическата мрежа.
- ◆ Включете уреда от прекъсвача за включване/изключване F.
- ◆ Индикаторите за 1 чаша кафе, бутона за 2 чаши кафе и този за пара ще започнат да примигват; машината влиза в режим на предварително загряване, докато всички индикатори започнат да светят непре-

късната. Това указва, че е достигната подходящата температура.

- ◆ Поставете две предварително загрей чаши на изхода на държача на цедката.
- ◆ Натиснете бутона за кафе (G1 или G2) в положение „включено“. Изтичането на кафето ще започне.
- ◆ При достигане на стандартното количество, кафето ще спре да изтича автоматично.
- ◆ За настройване на количество кафе по желание.
- ◆ Задръжте натиснат бутона за 1 чаша в продължение на 3 секунди. Бутонът за 1 чаша започва да примигва. Влезте в режим „настройки“ и натиснете отново бутона за 1 чаша, за да започне изтичането на кафето. При достигане на определеното време, натиснете бутона за 1 чаша, за да завършите настройката. Същата може да бъде запаметена от устройството. Същото можете да направите с бутона за 2 чаши.
- ◆ След като кафето спре да изтича, изчакайте няколко секунди, преди да оттеглите чашите с кафето.
- ◆ Извадете държача на цедката и го почистете от използваното кафе.
- ◆ Измийте държача на цедката с топла вода и го изсушете добре.
- ◆ Проверете дали изваждаемата цедка е поставена правилно в държача за цедката.
- ◆ Прикрепете отново държача на цедката към уреда.

Получаване на топла вода:

- ◆ Включете уреда посредством бутона включване/изключване (F).
- ◆ Индикаторите за 1 чаша кафе, бутона за 2 чаши кафе и този за пара ще започнат да примигват; машината влиза в режим на предварително загряване, докато всички индикатори започнат да светят непрекъснато. Това указва, че водата е достигнала желаната температура.
- ◆ Поставете някакъв съд под пароподателя.
- ◆ Отворете регулатора на пара (R), завъртайки го наляво, в посока, противоположна на часовниковата стрелка.
- ◆ Натиснете бутона за изтичане на кафе (G1-G2), за задействане на помпата.
- ◆ Когато желаете да настроите времето за работа за приготвяне на гореща вода, направете справка с процедурата, описана в раздел „Приготвяне на еспreso“.
- ◆ Топлата вода ще започне да изтича от вентилатора.
- ◆ След като сте получили желаното количество топла вода, натиснете бутона за изтичане на кафе (G1 G2) отново., Това ще спре помпата.

- ◆ Затворете контролера (R) като го завъртате надясно, в посока на часовниковата стрелка.

Получаване на пара:

- ◆ Парата служи за разпенване на мляко за капучино, и също така, за загряване на други течности.
- ◆ Задействайте уреда посредством бутона вкл./изкл.
- ◆ Индикаторите за 1 чаша кафе, за 2 чаши кафе и този за пара ще започнат да примигват; машината влиза в режим на предварително загряване, докато всички индикатори започнат да светят непрекъснато. Това указва, че водата е достигнала подходящата за кафе температура.
- ◆ Запара, натиснете бутона за загряване на парата (H) изображението „пара“ ще започне да примигва и ще продължи да загрява, докато достигне температурата на парата.
- ◆ Изображението за „пара“ ще светне непрекъснато, когато достигне дотемпература., необходима за получаване на пара.
- ◆ Бележка: По време на тези действия, индикаторът на селектора на парата ще светне и ще изгасва, за да поддържа желаната температура.
- ◆ Поставете съд под тръбата за пара.
- ◆ Завъртете контролера за пара, в посока, обратна на часовниковата стрелка.
- ◆ Ще започне да излиза само пара.
- ◆ Когато получите достатъчно пара, затворете контролера и оттеглете съда.

ВАЖНО

- ◆ Когато свършите с получаването на пара следва възстановите водата, използвана за правене на пара. Едновременно с това, възстановете по-ниската температура за приготвяне на кафе.
- ◆ За целта, при отворен кран за пара, натискайки предварително изображението за пара, за приключване на режима „пароподаване“ (престава да загрява), натиснете бутона кафе/вода (G1 о G2), с което ще задействате помпата.
- ◆ Поставете съд подизхода на тръбата.
- ◆ Когато от пароподаващата тръба започне да излиза вода, това означава, че се е възстановила температурата за кафето, и че котелчето се е напълнило. Вече можете да затворите контролера за пара и да натиснете бутона (G1 о G2) в положение изчакване.

Функция автоматично изключване:

- ◆ Уредите BLACK+DECKER са програмирани така, че

да пестят енергия.

- ◆ За тази цел, след няколко минути, от извършената операция, уредът се самоизключва.
- ◆ Ако желаете да се върнете към обичайната работа на уреда, просто следва да включите пусковия бутон (F).
- ◆ След приключване на работата с уреда:
- ◆ Спрете уреда, натискайки бутона за включване/изключване в продължение на няколко секунди.
- ◆ Изключете уреда от електрическата мрежа.
- ◆ Източете водата от резервоарчето.
- ◆ Почистете уреда.

Почистване

а. Обикновено почистване

- ◆ Изключете уреда от захранващата мрежа и го оставете да изстине, преди да пристъпите към почистването му.
- ◆ Почистете уреда с влажна кърпа, напоена с няколко капки миещ препарат и после го подсушете.
- ◆ За почистването му не използвайте разтворители и препарати с киселинен или основен рН фактор, като белина и абразивни продукти.
- ◆ Не допускате проникването на вода или друга течност през вентилационните отвори, за да избегнете повреди в работните части във вътрешността на уреда.
- ◆ Не се допуска която и да е част от този уред да бъде измивана в съдомиялна машина.
- ◆ Подсушете всички части преди да сглобите и съхраните уреда.

б. Почистване на пароподателя

- ◆ **ПРЕДУПРЕЖДЕНИЕ:** Бъдете изключително внимателни, тъй като частите на пароподателя може да се окажат силно нагорещени.
- ◆ Преди да изключите машината, препоръчва се да почистите пароподаващата тръба след приготвянето на парата с цел да избегнете наслагването на нечистотии.
- ◆ За целта извадете калъфа на пароподателя.

- ◆ Поставете чаша с известно количество вода под тръбата и я потопете под вода.
- ◆ Пуснете гореща вода през тръбата, като следвате указанията "Получаване на топла вода".
- ◆ Подсушете със сух парцал и поставете отново калъфа.
- ◆ В случай, че не излиза пара, това може да се дължи на това, че изходът е запушен със изсъхнало мляко. В такъв случай внимателно използвайте вода, за да отпушите накрайника на пароподателя.
- ◆ След като го почистите, измийте с течаща вода и го поставете отново. Подайте пара отново

Обработка на котления камък:

- ◆ За да бъде пълноценна работата на уреда, по него не бива да има отлагания от вар или магнезий, получаващи се от употреба на вода с висока твърдост.
- ◆ За да предотвратите този проблем, препоръчваме Ви да използвате вода с ниско съдържание на варовик или магнезий.
- ◆ Въпреки това, ако не е възможно използването на препоръчания по-горе вид вода, трябва да пристъпите към периодичната обработка на уреда за намаляване на котления камък, с периодичност от:
- ◆ 6 седмици, ако водата е с висока твърдост.
- ◆ 12 седмици, ако водата е твърда.
- ◆ За целта препоръчваме да се използва продукт против котлен камък за този вид уреди. Препаратът се продава в специализирани магазини и оторизирани сервиси.
- ◆ Не се препоръчват домашни разтвори, така както използването на оцет при обработката за премахването на калция от уреда.

НЕИЗПРАВНОСТИ И РЕМОНТ

- ◆ В случай на неизправност, моля отнесете уреда в оторизиран сервис за техническо обслужване. Моля не се опитвайте да разглобявате уреда или пък да го поправяте това е опасно.
- ◆ В случай, че забележите неизправност, направете справка със следната таблица:

Неизправности	Възможна причина	Решения
Отстрани на поставката за филтъра.	Поставката на филтъра не е поставен правилно. По ръба на канчето има наслоено кафе. Комплексът за подаване на кафе е замърсен.	Разгледайте раздел "пълнене с кафе" Почистете ръба на канчето и почистете блока за подаване на кафе. Почистете с влажна кърпа.
Не изтича кафе	Няма вода Контейнерчето за вода не е поставено правилно. Отворите на канчето са запушени, зърната кафе са прекалено ситно смлени или кафето е прекалено пресовано.	Напълнете водния контейнер. Проверете, дали резервоарчето е добре поставено. Изпразнете канчето и почистете с вода. Почистете с влажна кърпа блока за изпускане на кафе. Напълнете отново канчето и пресовайте леко кафето.
Кафето излиза бавно, и то капка по капка.	Кафето е прекалено ситно смляно, или прекалено пресовано.	Уверете се, че зърната са смлени до подходящ размер на частиците, а също и че кафето не е било пресовано прекалено.
Кафе излиза, но без каймак.	Използваното кафе е с просрочена годност или се е изсушило. Кафето не е достатъчно пресовано. Кафето е смляно на прекалено големи частици.	Използвайте кафе в срок на годност. След отварянето на опаковката, съхранявайте кафето в херметичен съд. Пресовайте добре кафето. Смлете кафето до по-фини частици.
Кафето изтича прекалено бързо.	Кафето е смляно на прекалено големи частици. В канчето не е поставено достатъчно кафе. Кафето не е достатъчно пресовано.	Смлете кафето до по-фини частици. Уверете се, че сте поставили точното количество кафе в канчето. Пресовайте по-добре кафето.
От пароподаващата тръба не излиза пара.	Тръбата е задръстена.	Почистете пароподаващата тръба с влажна кърпа, за да отстраните възможни засъхнали остатъци мляко, след което прокарайте отново отворите с помощта на игла. Натиснете съответния прекъсвач и източете "гореща вода", докато започне да излиза постоянно и със сила.

За разновидностите EU на това изделие и/или в случая, приложим за Вашата страна:

Опазване на околната среда и рециклиране на изделието.

- ◆ Материалите, от които изработена опаковката на този електроуред са включени в системата за тяхното събиране, класифициране и рециклиране. Ако желаете да се освободите от тях, използвайте обществените контейнери, пригодени за всеки отделен вид материал.
- ◆ В изделието отсъстват концентрации на вещества, които могат да бъдат определени като вредни за околната среда.



Този символ означава, че ако желаете да се освободите от уреда, след като експлоатационният му живот е изтекъл, трябва да го предадете по подходящ начин на фирма за преработка на отпадъци, оторизирана за разделно събиране на относно отпадъци от електрическо и електронно оборудване (ОЕЕО).

Настоящият уред изпълнява Директива 2014/35/EU за ниски напрежения, Директива 2014/30/EU за електромагнитно съответствие и с Директива 2011/65/EU за ограниченията при употреба на някои определени опасни вещества в електрически и електронни апарати и с Директива 2009/125/ЕС за изискванията за екологичен дизайн, приложими към изделия, свързани с енергия.

ГАРАНЦИЯ И ТЕХНИЧЕСКА ПОМОЩ

Настоящият продукт има законна гаранция, в съответствие с действащото законодателство. За да упражните правата си на потребител следва да се насочите към някой от нашите оторизирани сервиси. Може да намерите най-близкия до вас сервис, отваряйки следната връзка: <http://www.2helpu.com/> Също така може да потърсите допълнителна информация, свързвайки се с нас (направете справка на последната страница на наръчника). Наръчника с указания и неговите осъвременявания можете да свалите на следния <http://www.2helpu.com/>.

België/Belgique	Stanley Black & Decker Belgium BVBA Egide Walschaertsstraat 16 2800 Mechelen	www.blackanddecker.be enduser.BE@SBDinc.com Tel - NL. +32 15 47 37 65 Tel – FR. +32 15 47 37 66
Bulgaria	Stanley Black&Decker Polska Bucharest Branch Phoenicia Business Center Turturelelor Street, No 11A, 6th Floor,Module 15, 3rd District. Bucharest (Romania)	office.bucharest@sbdinc.com Tel. +4021.320.61.04.
Česká Republika	Stanley Black & Decker Czech Republic s.r.o. Chodov Tůrkova 2319/5b 149 00 Praha 4 Česká Republika	www.blackanddecker.cz recepcie@blackanddecker.cz Tel: 261 009 782
Danmark	Stanley Black & Decker Denmark Roskildevej 22 2620 Albertslund	www.blackanddecker.dk kundeservice.dk@sbdinc.com Tel. 70 20 15 10 Fax. 70 22 49 10
Deutschland	Stanley Black & Decker Deutschland GmbH Black & Decker Str. 40, D - 65510 Idstein	www.blackanddecker.de infobfge@sbdinc.com Tel. 06126 21-0 Fax 06126 21-2980
Ελλάδα	Black & Decker Ελλάς ΕΔΡΑ-ΓΡΑΦΕΙΑ : Στράβωνος 7 & Λ. Βουλιαγμένης. 166 74 Γλυφάδα - Αθήνα SERVICE : Ημερος Τόπος 2 (Χάνι Αδάμ) - 193 00 Ασπρόπυργος	www.blackanddecker.gr Greece.Service@sbdinc.com Τηλ: 00302108981616 Φαξ: 00302108983570
España	Engineering and Technology for Life Spain Avenida Barcelona s/n 25790 Oliana (Lleida)	www.blackanddecker.es service.spain@etforlife.com
France	Engineering and Technology for Life France 6 rue de l'Industrie Z.I des Sablons 89100 Sens	www.blackanddecker.fr service.france@etforlife.com
Helvetia	ROFO AG Gewerbezone Seeblick 3213 Kleinbödingen	www.blackanddecker.ch service@rofoag.ch Tel. 026 674 93 93 Fax 026 674 93 94
Hungary	Stanley Black & Decker Hungary Kft. Meszaros u. 58/B 1016 Budapest (Hungary)	www.blackanddecker.hu Tel: 1.6 225-1661 / 62
Italia	Stanley Black & Decker Italia Via Energypark 6 c/o Energypark Building 3 sud 20871 Vimercate (MB)	www.blackanddecker.it service.italia@blackanddecker.com Tel. 800-213935 Fax 039-9590313
Nederland	Stanley Black & Decker Netherlands BV Holtum Noordweg 35 6121 RE BORN Postbus 83. 6120 AB BORN	www.blackanddecker.nl enduser.NL@SBDinc.com Tel. +31 164 283 065 Fax +31 164 283 200
Norge	Stanley Black & Decker Norway AS Gullhaugveien 11, 0484 Oslo PB 4613, Nydalen, 0405 Oslo	www.blackanddecker.no kundeservice.no@sbdinc.com Tlf. 22 90 99 10 Fax 45 25 08 00

Österreich	Stanley Black & Decker Austria GmbH Oberlaaerstraße 248, A-1230 Wien	www.blackanddecker.at service.austria@sbdinc.com Tel. 01 66116-0 Fax 01 66116-614
Polska	Stanley Black & Decker Polska SP.z.o.o ul. Postepu 21D 02-676 Warszawa Polska	www.blackanddecker.pl reception.warsaw@sbdinc.com Tel: 22 4642700
Portugal	Engineering and Technology for Life Portugal Avenida Rainha D. Amélia, nº12-B 1600-677 Lisboa	www.blackanddecker.pt service.portugal@efforlife.com
Romania	Stanley Black&Decker Polska Bucharest Branch Phoenicia Business Center Turturelelor Street, No 11A, 6th Floor,Module 15, 3rd District. Bucharest (Romania)	office.bucharest@sbdinc.com Tel. +4021.320.61.04.
Slovenija	G-M&M, proizvodnja in marketing, d.o.o. Brvace 11 1290 Grosuplje (Slovenija)	G-M&M, proizvodnja in marketing, d.o.o. Brvace 11 1290 Grosuplje (Slovenija)
Suomi	Stanley Black & Decker Finland Oy Kumpulantie 13B, 00520 Helsinki PL 47, 00521 Helsinki	www.blackanddecker.fi asiakaspalvelu.fi@sbdinc.com Puh. 010 400 43 33 Faksi 0800 411 340
Sverige	Stanley Black & Decker Sweden AB Flöjelbergsgatan 1c, 431 35 Mölndal Box 94, 431 22 Mölndal	www.blackanddecker.se kundservice.se@sbdinc.com Tel. 031-68 60 60 Fax 031-68 60 80
United Kingdom & Republic Of Ireland	"Black & Decker Slough, Berkshire SL1 3YD 210 Bath Road "	www.blackanddecker.co.uk emeaservice@sbdinc.com Tel. 01753 511234

